



- 9 basic enclosures in various heights
- High-quality design with a stylish high-gloss appearance
- Grey or transparent covers
- Plastic, choice of ABS (TG ABS) or polycarbonate (TG PC)

IP67
IP66

IK07



690V
AC

1000V
DC



IP67
IP66

IK08



690V
AC

1000V
DC



Industrial

Empty enclosure



«ЭйБиЭн»
Тел. Мінск +375(17) 390-51-85
Тел. +375(44) 592-00-86

info@abn.by
www.abn.by

www.spelsberg.com



- Smooth side walls for added flexibility
- Attachment points in the usual positions
- Time-saving stainless steel snap lock
- Cover screws available on request
- Recess in cover facilitates placement of decals or membrane keypads
- Individual choice of attachments
- Internal hinges



Empty enclosures

TG 88-6

84 x 82 mm

Base and cover: **ABS**, grey, similar RAL 7035

Enclosure type	Height	Order No.
TG ABS 88-6-o	55	100 403 01

Base and cover: **Polycarbonate**, grey, similar RAL 7035

Enclosure type	Height	Order No.
TG PC 88-6-o	55	200 403 01

Base: **ABS**, grey, similar RAL 7035
Cover: **Polycarbonate**, transparent

Enclosure type	Height	Order No.
TG ABS 88-6-to	55	101 003 01

Base: **Polycarbonate**, grey, similar RAL 7035
Cover: **Polycarbonate**, transparent

Enclosure type	Height	Order No.
TG PC 88-6-to	55	201 003 01

TG 88-9

84 x 82 mm

Base and cover: **ABS**, grey, similar RAL 7035

Enclosure type	Height	Order No.
TG ABS 88-9-o	85	100 903 01

Base and cover: **Polycarbonate**, grey, similar RAL 7035

Enclosure type	Height	Order No.
TG PC 88-9-o	85	200 903 01

Base: **ABS**, grey, similar RAL 7035
Cover: **Polycarbonate**, transparent

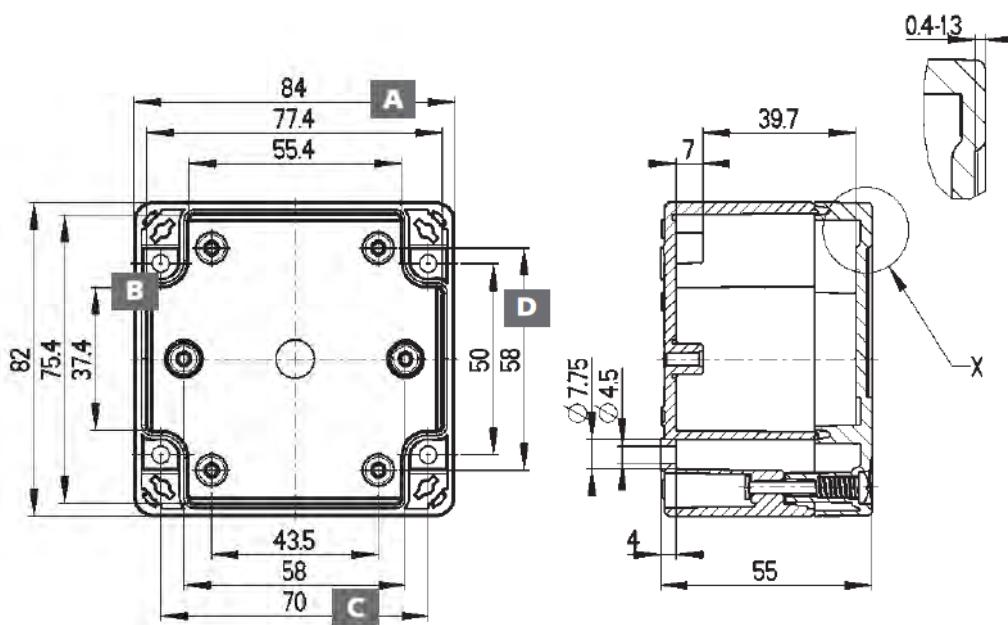
Enclosure type	Height	Order No.
TG ABS 88-9-to	85	101 503 01

Base: **Polycarbonate**, grey, similar RAL 7035
Cover: **Polycarbonate**, transparent

Enclosure type	Height	Order No.
TG PC 88-9-to	85	201 503 01

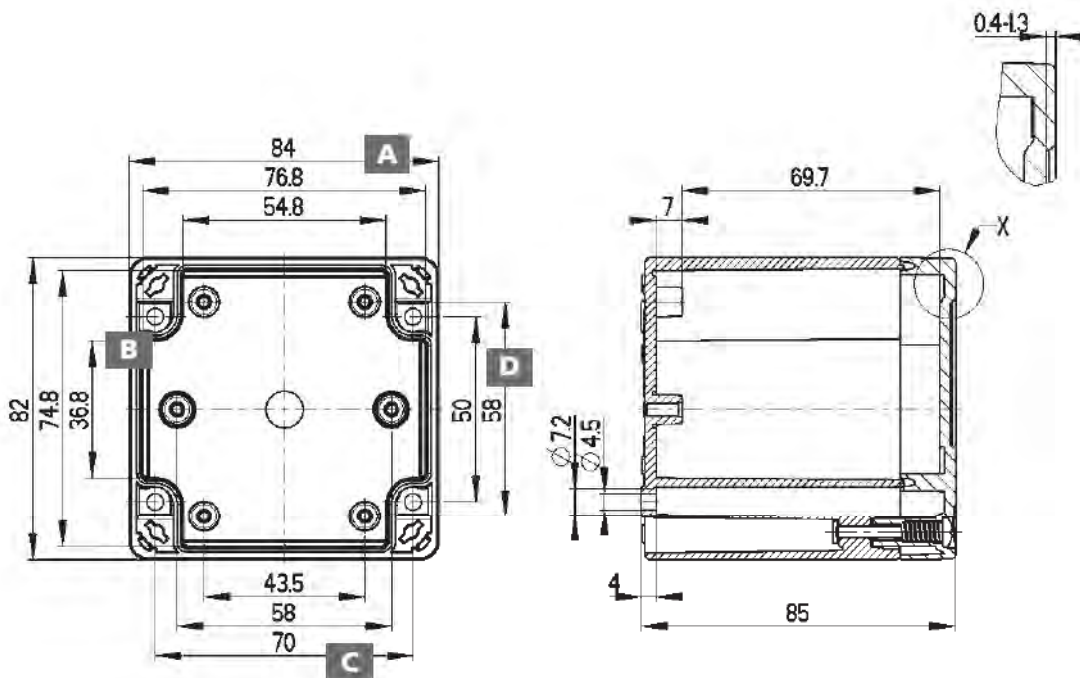
Maximum possible metric through openings per box side

M	A/C	B/D
12	3	2
16	2	1
20	1	1
25	-	-
32	-	-
40	-	-
50	-	-



Maximum possible metric through openings per box side

M	A/C	B/D
12	6	4
16	4	2
20	2	2
25	1	1
32	1	-
40	-	-
50	-	-



Empty enclosures

TG 1208-6 122 x 82 mm



Base and cover: **ABS**, grey, similar RAL 7035

Enclosure type	Height	Order No.
TG ABS 1208-6-o	55	100 404 01

Base and cover: **Polycarbonate**, grey, similar RAL 7035

Enclosure type	Height	Order No.
TG PC 1208-6-o	55	200 404 01

Base: **ABS**, grey, similar RAL 7035
Cover: **Polycarbonate**, transparent



Enclosure type	Height	Order No.
TG ABS 1208-6-to	55	101 004 01

Base: **Polycarbonate**, grey, similar RAL 7035
Cover: **Polycarbonate**, transparent

Enclosure type	Height	Order No.
TG PC 1208-6-to	55	201 004 01

TG 1208-9 122 x 82 mm



Base and cover: **ABS**, grey, similar RAL 7035

Enclosure type	Height	Order No.
TG ABS 1208-9-o	85	100 904 01

Base and cover: **Polycarbonate**, grey, similar RAL 7035

Enclosure type	Height	Order No.
TG PC 1208-9-o	85	200 904 01

Base: **ABS**, grey, similar RAL 7035
Cover: **Polycarbonate**, transparent



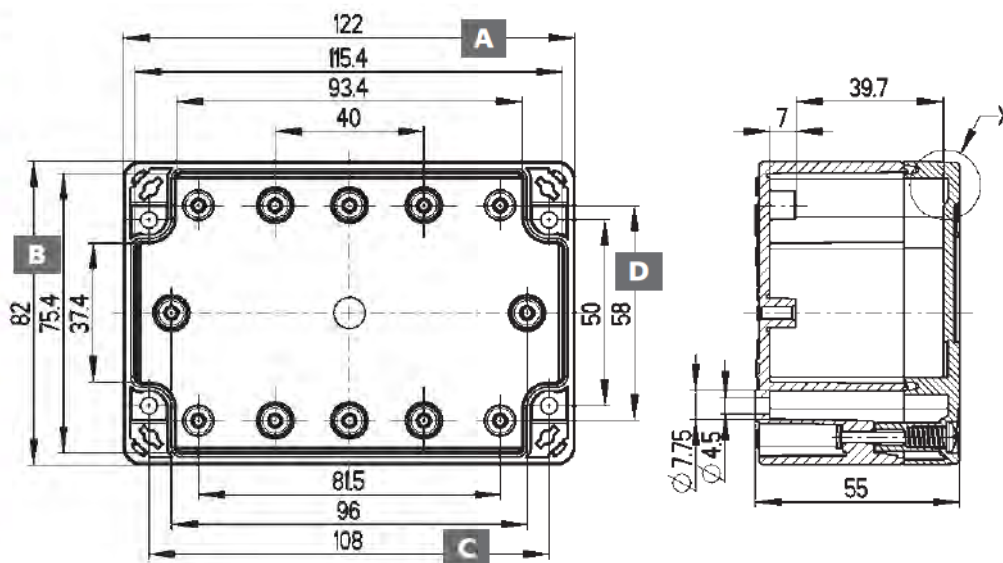
Enclosure type	Height	Order No.
TG ABS 1208-9-to	85	101 504 01

Base: **Polycarbonate**, grey, similar RAL 7035
Cover: **Polycarbonate**, transparent

Enclosure type	Height	Order No.
TG PC 1208-9-to	85	201 504 01

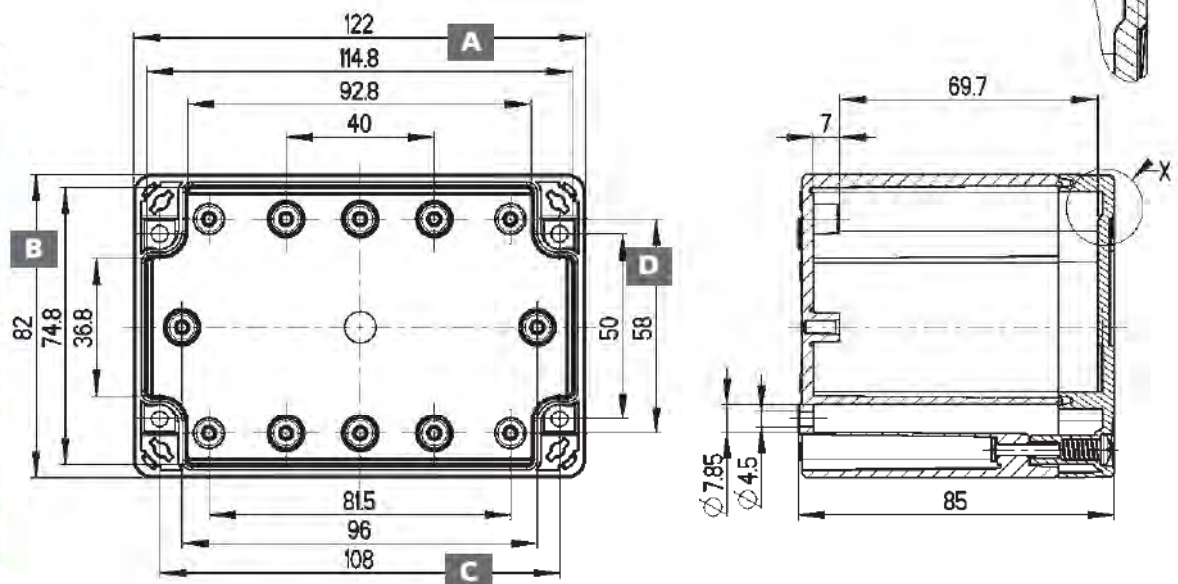
Maximum possible metric through openings per box side

M	A/C	B/D
12	5	2
16	3	1
20	2	-
25	2	-
32	-	-
40	-	-
50	-	-



Maximum possible metric through openings per box side

M	A/C	B/D
12	12	4
16	6	2
20	6	1
25	3	1
32	2	-
40	1	-
50	-	-



Empty enclosures

TG 1212-6 124 x 122 mm



Base and cover: **ABS**, grey, similar RAL 7035

Enclosure type	Height	Order No.
TG ABS 1212-6-o	55	100 405 01

Base and cover: **Polycarbonate**, grey, similar RAL 7035

Enclosure type	Height	Order No.
TG PC 1212-6-o	55	200 405 01



Base: **ABS**, grey, similar RAL 7035
Cover: **Polycarbonate**, transparent

Enclosure type	Height	Order No.
TG ABS 1212-6-to	55	101 005 01

Base: **Polycarbonate**, grey, similar RAL 7035
Cover: **Polycarbonate**, transparent

Enclosure type	Height	Order No.
TG PC 1212-6-to	55	201 005 01

TG 1212-9 124 x 122 mm



Base and cover: **ABS**, grey, similar RAL 7035

Enclosure type	Height	Order No.
TG ABS 1212-9-o	85	100 905 01

Base and cover: **Polycarbonate**, grey, similar RAL 7035

Enclosure type	Height	Order No.
TG PC 1212-9-o	85	200 905 01



Base: **ABS**, grey, similar RAL 7035
Cover: **Polycarbonate**, transparent

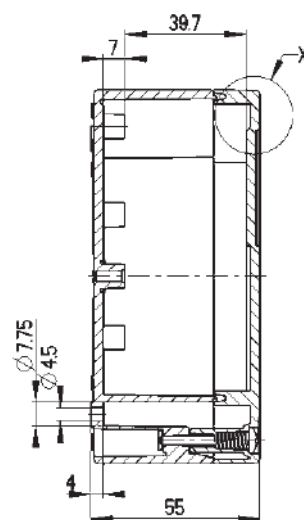
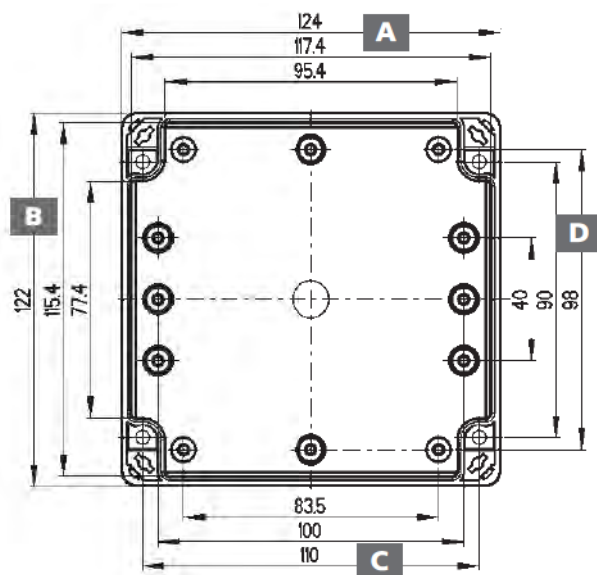
Enclosure type	Height	Order No.
TG ABS 1212-9-to	85	101 505 01

Base: **Polycarbonate**, grey, similar RAL 7035
Cover: **Polycarbonate**, transparent

Enclosure type	Height	Order No.
TG PC 1212-9-to	85	201 505 01

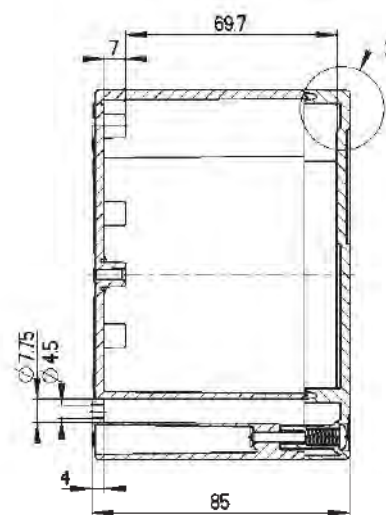
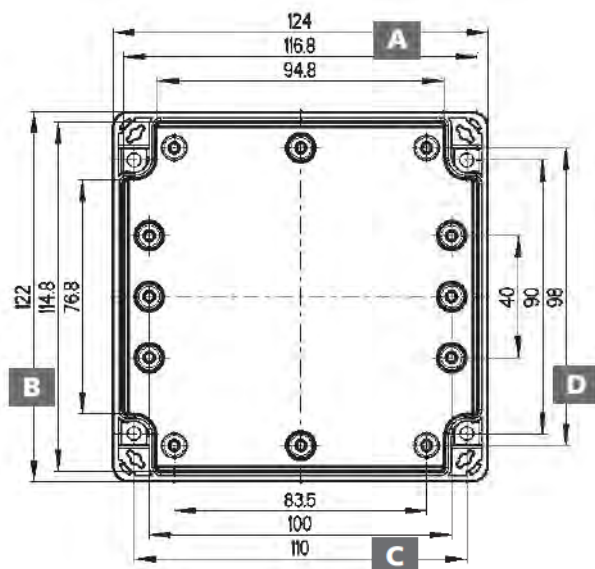
Maximum possible metric through openings per box side

M	A/C	B/D
12	6	5
16	3	3
20	3	2
25	2	2
32	-	-
40	-	-
50	-	-



Maximum possible metric through openings per box side

M	A/C	B/D
12	12	9
16	6	6
20	6	4
25	3	2
32	2	1
40	1	1
50	1	-



Empty enclosures

TG 1608-6 162 x 82 mm



Base and cover: **ABS**, grey, similar RAL 7035

Enclosure type	Height	Order No.
TG ABS 1608-6-o	55	100 406 01

Base and cover: **Polycarbonate**, grey, similar RAL 7035

Enclosure type	Height	Order No.
TG PC 1608-6-o	55	200 406 01



Base: **ABS**, grey, similar RAL 7035
Cover: **Polycarbonate**, transparent

Enclosure type	Height	Order No.
TG ABS 1608-6-to	55	101 006 01

Base: **Polycarbonate**, grey, similar RAL 7035
Cover: **Polycarbonate**, transparent

Enclosure type	Height	Order No.
TG PC 1608-6-to	55	201 006 01

TG 1608-9 162 x 82 mm



Base and cover: **ABS**, grey, similar RAL 7035

Enclosure type	Height	Order No.
TG ABS 1608-9-o	85	100 906 01

Base and cover: **Polycarbonate**, grey, similar RAL 7035

Enclosure type	Height	Order No.
TG PC 1608-9-o	85	200 906 01



Base: **ABS**, grey, similar RAL 7035
Cover: **Polycarbonate**, transparent

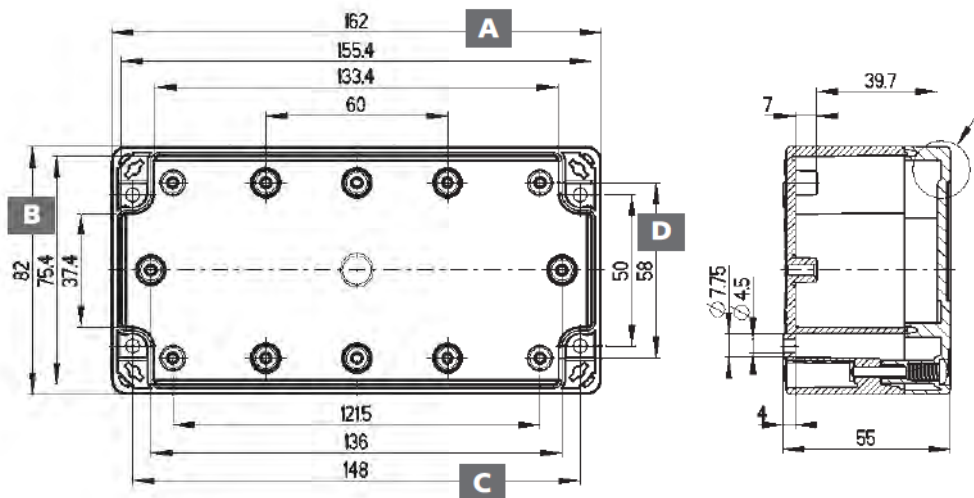
Enclosure type	Height	Order No.
TG ABS 1608-9-to	85	101 506 01

Base: **Polycarbonate**, grey, similar RAL 7035
Cover: **Polycarbonate**, transparent

Enclosure type	Height	Order No.
TG PC 1608-9-to	85	201 506 01

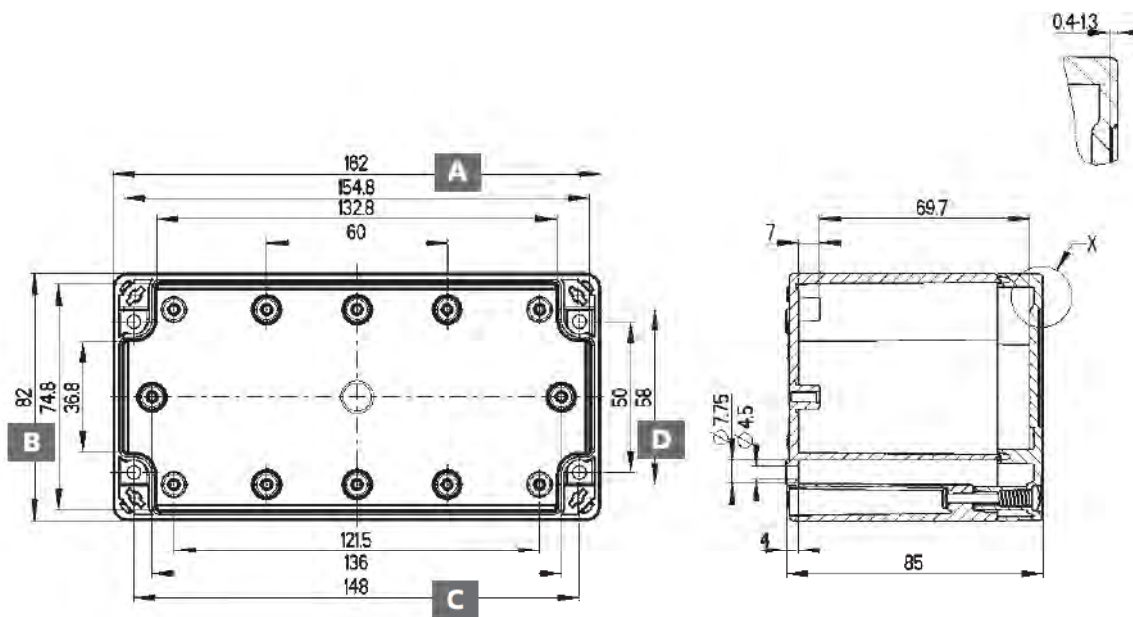
Maximum possible metric through openings per box side

M	A/C	B/D
12	9	2
16	5	1
20	4	1
25	-	-
32	-	-
40	-	-
50	-	-



Maximum possible metric through openings per box side

M	A/C	B/D
12	18	4
16	10	2
20	8	2
25	4	1
32	3	-
40	2	-
50	2	-



Empty enclosures

TG 1612-9 162 x 122 mm



Base and cover: **ABS**, grey, similar RAL 7035

Enclosure type	Height	Order No.
TG ABS 1612-9-o	90	100 407 01

Base and cover: **Polycarbonate**, grey, similar RAL 7035

Enclosure type	Height	Order No.
TG PC 1612-9-o	90	200 407 01



Base: **ABS**, grey, similar RAL 7035
Cover: **Polycarbonate**, transparent

Enclosure type	Height	Order No.
TG ABS 1612-9-to	90	101 007 01

Base: **Polycarbonate**, grey, similar RAL 7035
Cover: **Polycarbonate**, transparent

Enclosure type	Height	Order No.
TG PC 1612-9-to	90	201 007 01

TG 2012-8 202 x 122 mm



Base and Cover: **ABS**, grey, similar RAL 7035

Enclosure type	Height	Order No.
TG ABS 2012-8-o	75	100 408 01

Base and cover: **Polycarbonate**, grey, similar RAL 7035

Enclosure type	Height	Order No.
TG PC 2012-8-o	75	200 408 01



Base: **ABS**, grey, similar RAL 7035
Cover: **Polycarbonate**, transparent

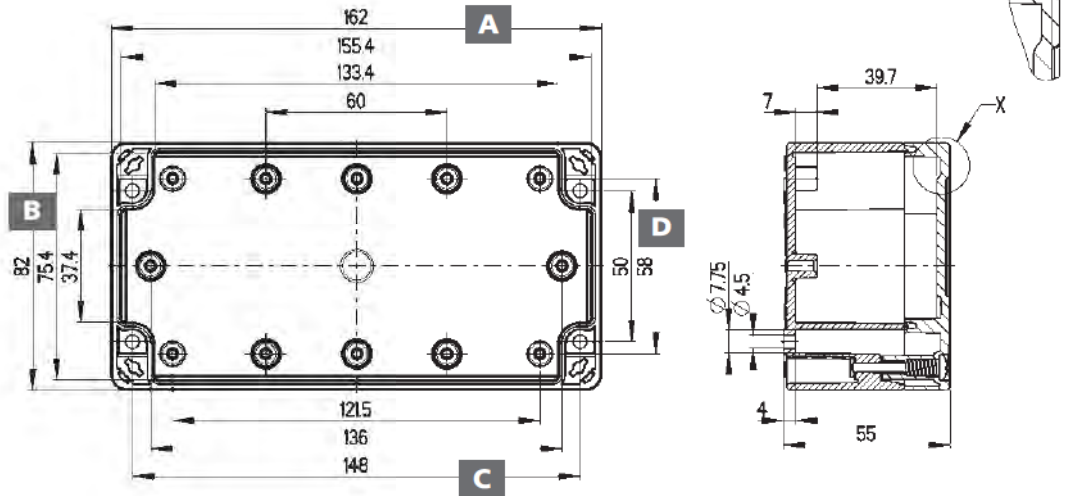
Enclosure type	Height	Order No.
TG ABS 2012-8-to	75	101 008 01

Base: **Polycarbonate**, grey, similar RAL 7035
Cover: **Polycarbonate**, transparent

Enclosure type	Height	Order No.
TG PC 2012-8-to	75	201 008 01

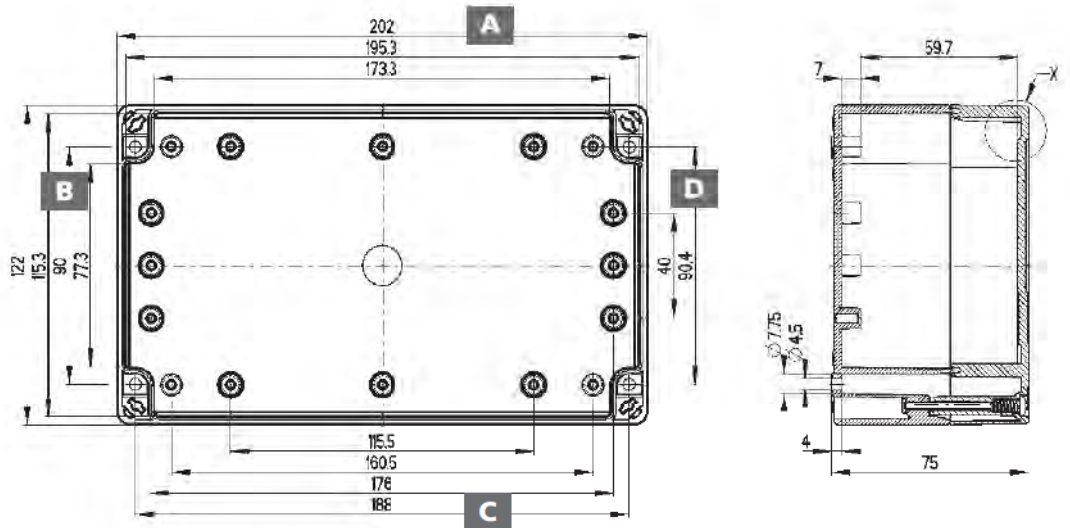
Maximum possible metric through openings per box side

M	A/C	B/D
12	9	2
16	5	1
20	4	1
25	-	-
32	-	-
40	-	-
50	-	-



Maximum possible metric through openings per box side

M	A/C	B/D
12	16	6
16	8	3
20	5	2
25	4	2
32	-	-
40	-	-
50	-	-



Empty enclosures

TG 2012-9

202 x 122 mm

Base and cover: **ABS**, grey, similar RAL 7035

Enclosure type	Height	Order No.
TG ABS 2012-9-o	90	100 908 01

Base and cover: **Polycarbonate**, grey, similar RAL 7035

Enclosure type	Height	Order No.
TG PC 2012-9-o	90	200 908 01

Base: **ABS**, grey, similar RAL 7035
Cover: **Polycarbonate**, transparent

Enclosure type	Height	Order No.
TG ABS 2012-9-to	90	101 508 01

Base: **Polycarbonate**, grey, similar RAL 7035
Cover: **Polycarbonate**, transparent

Enclosure type	Height	Order No.
TG PC 2012-9-to	90	201 508 01

TG 2015-9

202 x 152 mm

Base and cover: **ABS**, grey, similar RAL 7035

Enclosure type	Height	Order No.
TG ABS 2015-9-o	90	100 409 01

Base and cover: **Polycarbonate**, grey, similar RAL 7035

Enclosure type	Height	Order No.
TG PC 2015-9-o	90	200 409 01

Base: **ABS**, grey, similar RAL 7035
Cover: **Polycarbonate**, transparent

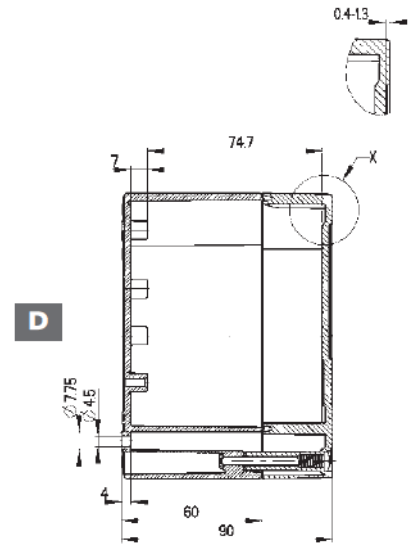
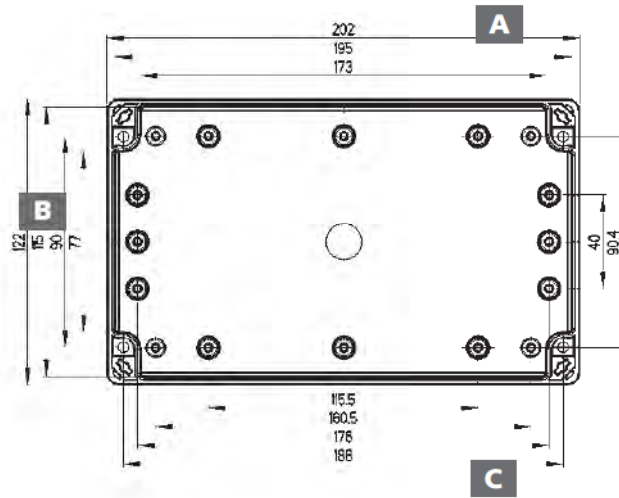
Enclosure type	Height	Order No.
TG ABS 2015-9-to	90	101 009 01

Base: **Polycarbonate**, grey, similar RAL 7035
Cover: **Polycarbonate**, transparent

Enclosure type	Height	Order No.
TG PC 2015-9-to	90	201 009 01

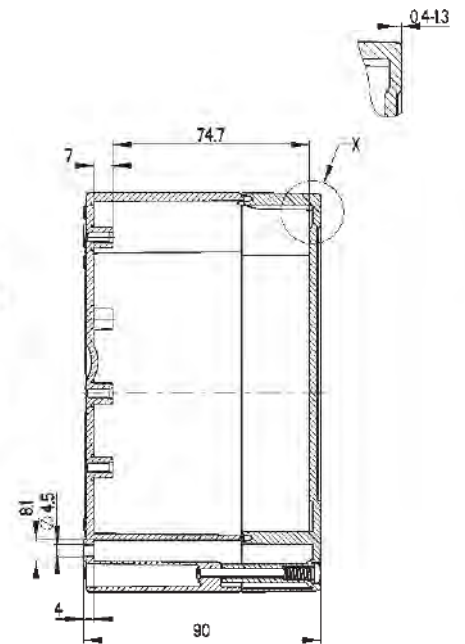
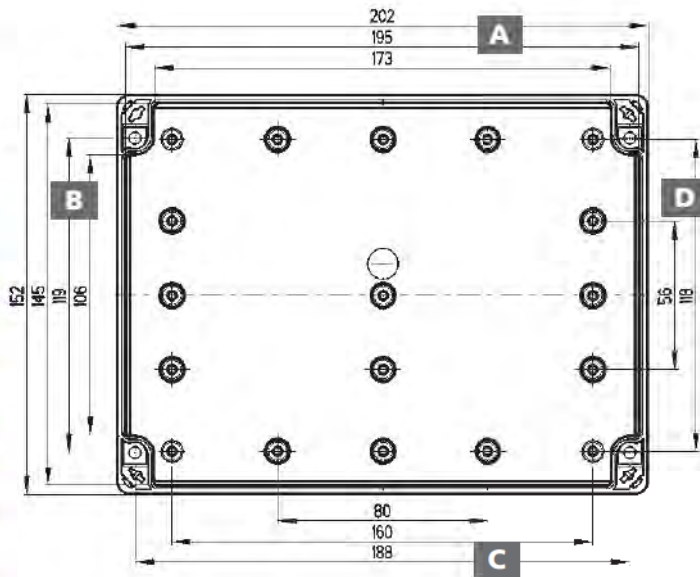
Maximum possible metric through openings per box side

M	A/C	B/D
12	16	6
16	12	3
20	5	3
25	4	2
32	3	1
40	-	-
50	-	-



Maximum possible metric through openings per box side

M	A/C	B/D
12	16	10
16	12	8
20	5	4
25	4	3
32	3	2
40	-	-
50	-	-



Empty enclosures

TG 2516-9 252 x 162 mm



Base and cover: **ABS**, grey, similar RAL 7035

Enclosure type	Height	Order No.
TG ABS 2516-9-o	90	100 412 01

Base and cover: **Polycarbonate**, grey, similar RAL 7035

Enclosure type	Height	Order No.
TG PC 2516-9-o	90	200 412 01



Base: **ABS**, grey, similar RAL 7035
Cover: **Polycarbonate**, transparent

Enclosure type	Height	Order No.
TG ABS 2516-9-to	90	101 012 01

Base: **Polycarbonate**, grey, similar RAL 7035
Cover: **Polycarbonate**, transparent

Enclosure type	Height	Order No.
TG PC 2516-9-to	90	201 012 01

TG 2516-12 252 x 162 mm



Base and cover: **ABS**, grey, similar RAL 7035

Enclosure type	Height	Order No.
TG ABS 2516-12-o	120	100 912 01

Base and cover: **Polycarbonate**, grey, similar RAL 7035

Enclosure type	Height	Order No.
TG PC 2516-12-o	120	200 912 01



Base: **ABS**, grey, similar RAL 7035
Cover: **Polycarbonate**, transparent

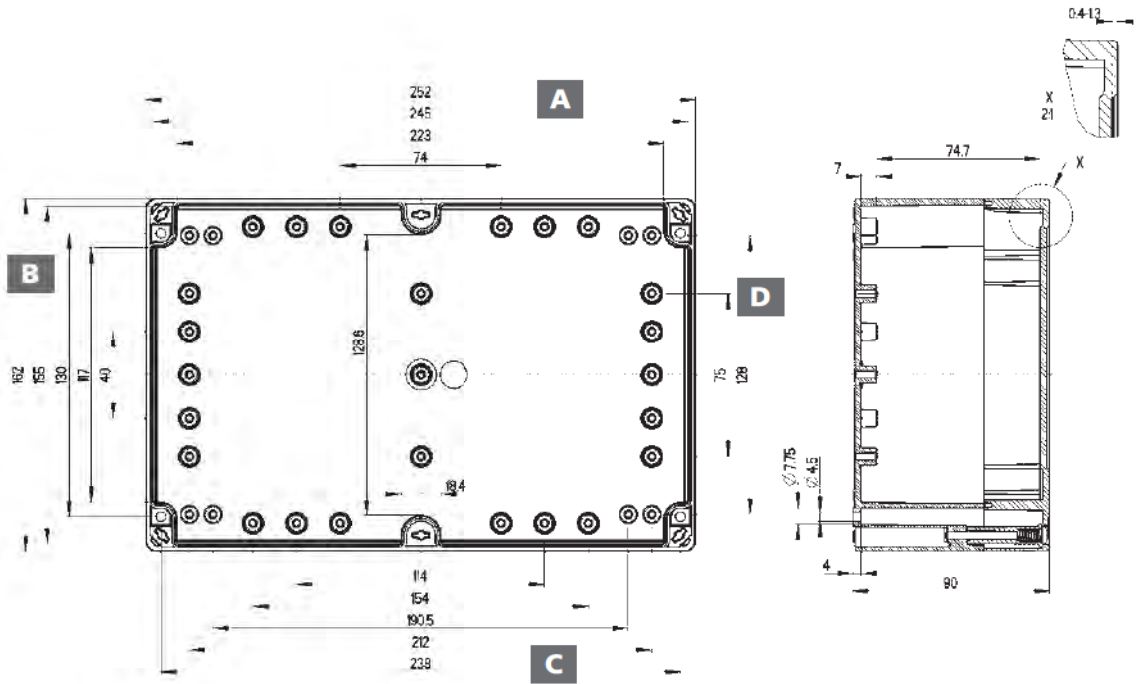
Enclosure type	Height	Order No.
TG ABS 2516-12-to	120	101 512 01

Base: **Polycarbonate**, grey, similar RAL 7035
Cover: **Polycarbonate**, transparent

Enclosure type	Height	Order No.
TG PC 2016-12-to	120	201 512 01

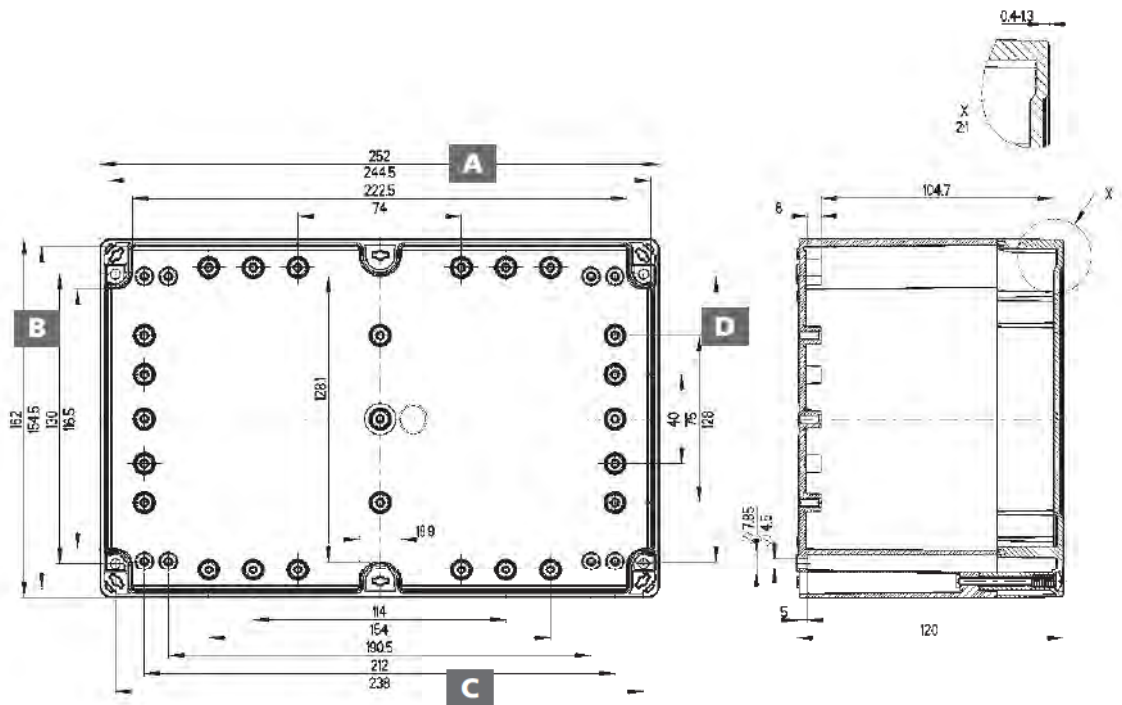
Maximum possible metric through openings per box side

M	A/C	B/D
12	20	10
16	12	8
20	6	3
25	4	3
32	4	2
40	2	2
50	-	-



Maximum possible metric through openings per box side

M	A/C	B/D
12	40	20
16	18	12
20	12	8
25	8	6
32	6	3
40	2	2
50	2	1



Empty enclosures

TG 3023-9 302 x 232 mm



Base and cover: **ABS**, grey, similar RAL 7035

Enclosure type	Height	Order No.
TG ABS 3023-9-o	90	100 413 01

Base and cover: **Polycarbonate**, grey, similar RAL 7035

Enclosure type	Height	Order No.
TG PC 3023-9-o	90	200 413 01

Base: **ABS**, grey, similar RAL 7035
Cover: **Polycarbonate**, transparent



Enclosure type	Height	Order No.
TG ABS 3023-9-to	90	101 013 01

Base: **Polycarbonate**, grey, similar RAL 7035
Cover: **Polycarbonate**, transparent

Enclosure type	Height	Order No.
TG PC 3023-9-to	90	201 013 01

TG 3023-11 302 x 232 mm



Base and cover: **ABS**, grey, similar RAL 7035

Enclosure type	Height	Order No.
TG ABS 3023-11-o	110	100 913 01

Base and cover: **Polycarbonate**, grey, similar RAL 7035

Enclosure type	Height	Order No.
TG PC 3023-11-o	110	200 913 01

Base: **ABS**, grey, similar RAL 7035
Cover: **Polycarbonate**, transparent



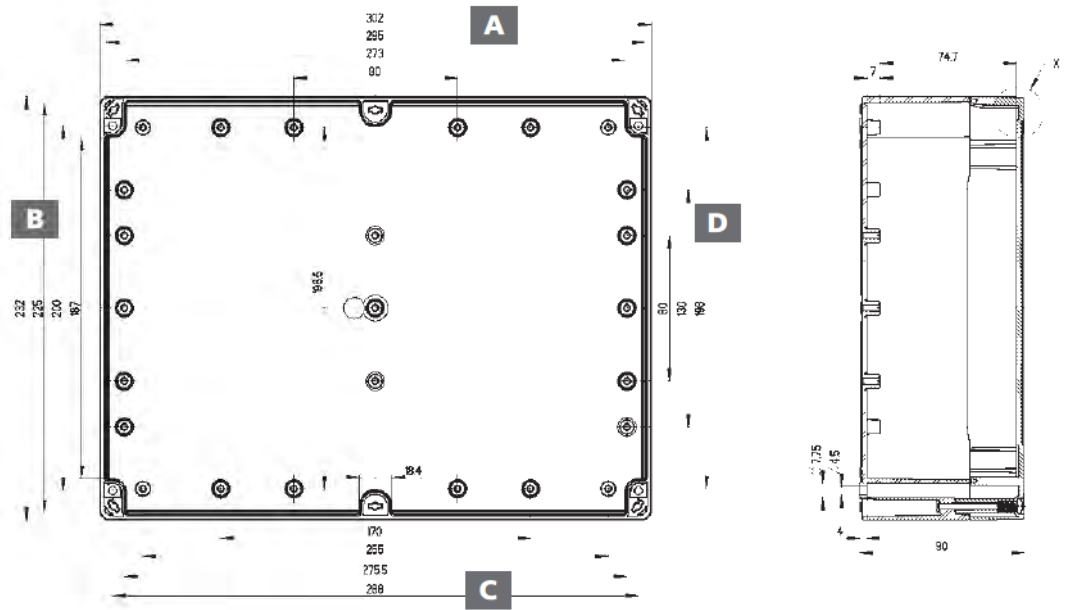
Enclosure type	Height	Order No.
TG ABS 3023-11-to	110	101 513 01

Base: **Polycarbonate**, grey, similar RAL 7035
Cover: **Polycarbonate**, transparent

Enclosure type	Height	Order No.
TG PC 3023-11-to	110	201 513 01

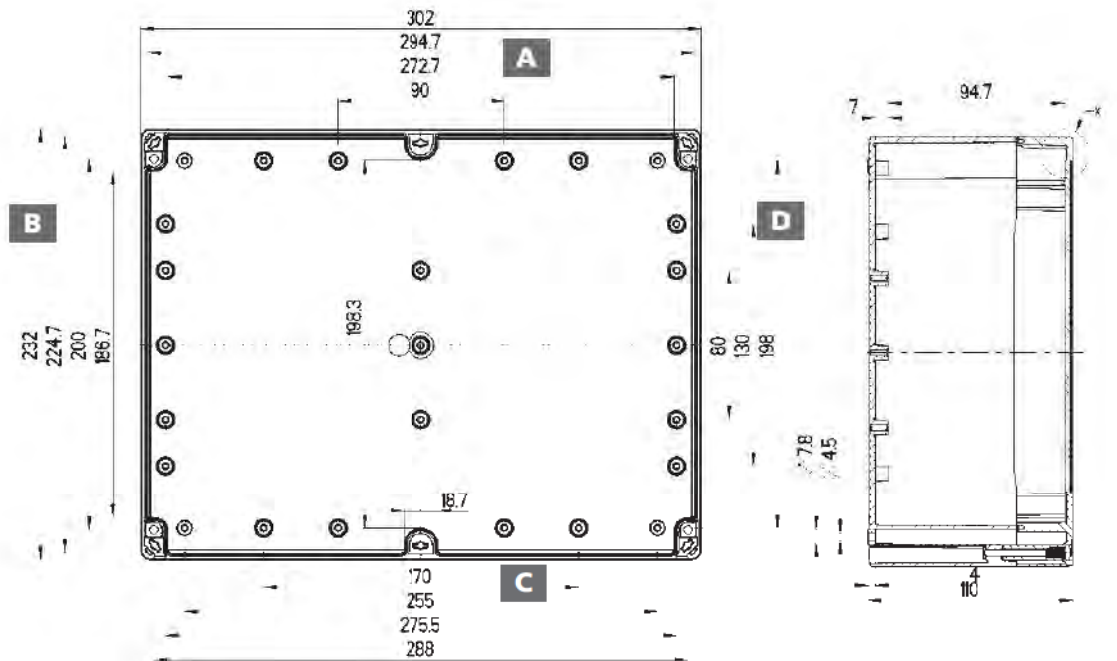
Maximum possible metric through openings per box side

M	A/C	B/D
12	24	18
16	16	14
20	8	6
25	6	5
32	4	4
40	4	2
50	-	-



Maximum possible metric through openings per box side

M	A/C	B/D
12	36	27
16	26	20
20	16	12
25	12	9
32	6	4
40	4	3
50	2	2



Empty enclosures