



UL certification only for PG 21



- Enclosure system with hidden external hinge
- Standard version or with window
- Polycase version with integrated handle

## Technical data

**Material:**

glass fibre reinforced duroplastic polyester

**Colour:**

RAL 7038, agate grey

special colour on request

**Ingress protection:**

IP 66 to EN 60529

**Flammability:**

self-extinguishing, UL 94 V-0

**Insulation:**

fully insulated to VDE 0100

**Disruptive strength:**

18 KV/mm, IEC 60243-1

**Toxicity:**

halogen-free

**Surface resistance:**

$>10^{12}$  Ohm, IEC 60093

**Door opening angle:**

135°

**Temperature range:**

-40°C to +100°C

window version: -40°C to +80°C

### Included in delivery

Enclosure consisting of base and door; please order door lock separately, press-in inserts in base for internal and external mounting

## Polyglas / Polycase

### Product range

Polyglas / Polycase	Dimensions (mm) W x L x H	Polyglas	Weight (g)	Polyglas with window and lock	Polycase* without window with handle	Weight (g)	Polycase* with window and handle
Size 1	300 x 400 x 200	<b>21.30 40 00</b>	4388	<b>22.30 40 00</b>	<b>23.30 40 00</b>	5510	<b>24.30 40 00</b>
Size 2	400 x 600 x 250	<b>21.40 60 00</b>	7300	<b>22.40 60 00</b>	<b>23.40 60 00</b>	8400	<b>24.40 60 00</b>

\* Please specify fitting side

Note: Enclosure will be supplied without lock, please order separately!

### Optional lock (loose)

Triangular lock 8 mm (2 pcs.)	<b>21.61 00 03</b>
Square lock 8 mm (2 pcs.)	<b>21.61 00 04</b>
Square lock 7 mm (2 pcs.)	<b>21.61 00 14</b>
Daimler-Benz lock (2 pcs.)	<b>21.61 00 06</b>
Double ward lock 3 mm (2 pcs.)	<b>21.61 00 07</b>
Knob (2 pcs.)	<b>21.61 00 01</b>
Knob with lock (2 pcs.)	<b>21.61 00 02</b>

### Accessories (loose)

Mounting plate for size 1 (galvanized sheet steel)	<b>10.01 12 03</b>
Mounting plate for size 2 (galvanized sheet steel)	<b>10.01 12 04</b>
External mounting brackets (4 pcs.)	<b>10.03 10 09</b>
Hole lids for fastening through base (4 pcs.)	<b>10.03 90 01</b>
Socket spanner, triangular 8 mm	<b>10.04 70 03</b>
Socket spanner, square 8 mm	<b>10.04 70 04</b>
Socket spanner, square 7 mm	<b>10.04 70 14</b>
Socket spanner, Daimler-Benz	<b>10.04 70 06</b>
Socket spanner, knob 3 mm	<b>10.04 70 07</b>

### Accessories



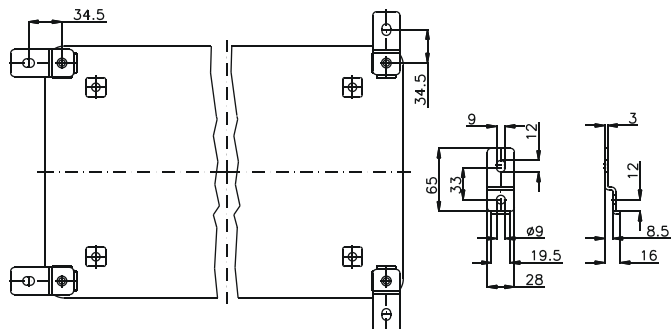
#### Mounting plates

Order No.	for size
<b>10.01 12 03</b>	300 x 400 mm
<b>10.01 12 04</b>	400 x 600 mm



#### External mounting brackets

Order No. **10.03 10 09**

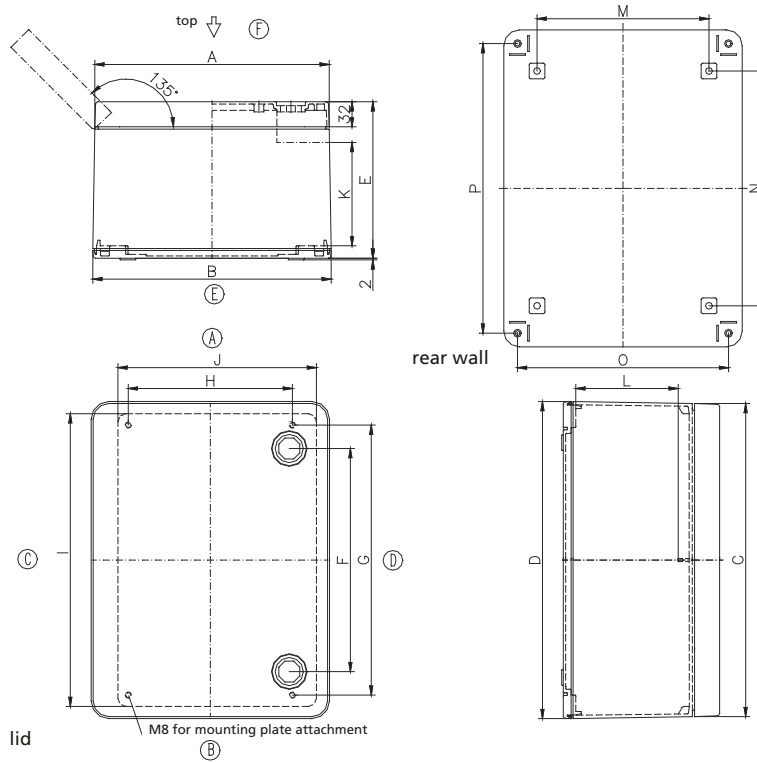


# Polyglas / Polycase

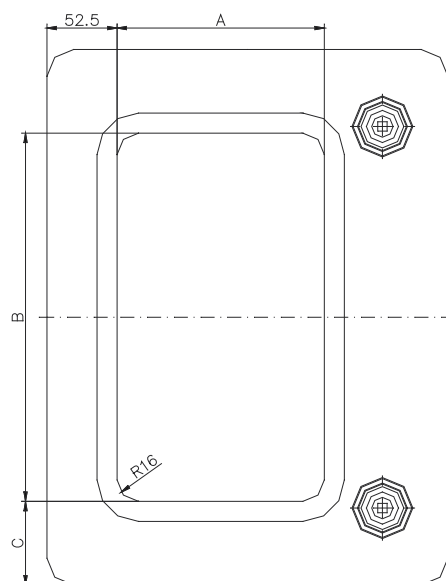
## Dimensions

### Polyglas

Type	A	B	C	D	E	F	G	H	I	J	K	L	M	N	O	P
21.30 40	300	305	400	405	200	285	345	210	370	254	132	169	220	300	270	370
21.40 60	400	406	600	605	250	478	545	310	566	352	181	217	320	500	370	570



### Polycase



#### Windows

Type	A	B	C
<b>22.30 40</b>	153	275	62,5
<b>22.40 60</b>	250	450	75

## Mini-Polyglas



UL certification only for PG 21



- Mini polyglas enclosure with hidden external hinge for MCR technology
- Standard version or with window

### Technical data

**Material:**

glass fibre reinforced duroplastic polyester

**Colour:**

RAL 7038, agate grey

special colour on request

**Ingress protection:**

IP 66 to EN 60529

**Flammability:**

V0 / self-extinguishing, UL 94

**Insulation:**

fully insulated to VDE 0100

**Disruptive strength:**

18 KV/mm, IEC 60243-1

**Toxicity:**

halogen-free

**Surface resistance:**

$>10^{12}$  Ohm, IEC 60093

**Door opening angle:**

120°

**Temperature range:**

-40°C to +100°C

window version: -40°C to +80°C

### Included in delivery

Enclosure consisting of base and door; please order door lock separately, press-in inserts in base for internal mounting