

# Polyester Flange

## Product range

Order No.	W x L x H (mm)	Flange openings	Mounting plate	Front plate on stud bolt	DIN rail* TS 35	Earth rail	Silicone lid seal 130°
<b>14.01 00 00</b>	170 x 270 x 136	2	<b>14.00 00 11</b>	<b>14.00 00 27</b>	<b>10.06 17 21</b>	<b>10.06 21 01</b>	<b>10.05 15 01</b>
<b>14.02 00 00</b>	270 x 270 x 136	4	<b>14.00 00 12</b>	<b>14.00 00 28</b>	<b>10.06 17 22</b>	<b>10.06 21 01</b>	<b>10.05 15 02</b>
<b>14.03 00 00</b>	270 x 541 x 136	6	<b>14.00 00 13</b>	<b>14.00 00 29</b>	<b>10.06 17 23</b>	<b>10.06 21 02</b>	<b>10.05 15 03</b>
Version with polycarbonate transparent lid							
<b>14.01 00 01</b>	170 x 270 x 150	2	<b>14.00 00 11</b>	<b>14.00 00 27</b>	<b>10.06 17 21</b>	<b>10.06 21 01</b>	<b>10.05 15 01</b>
<b>14.02 00 01</b>	270 x 270 x 150	4	<b>14.00 00 12</b>	<b>14.00 00 28</b>	<b>10.06 17 22</b>	<b>10.06 21 01</b>	<b>10.05 15 02</b>
<b>14.03 00 01</b>	270 x 540 x 150	6	<b>14.00 00 13</b>	<b>14.00 00 29</b>	<b>10.06 17 23</b>	<b>10.06 21 02</b>	<b>10.05 15 03</b>

\* TS 32 on request

## Flange and accessories (for all types)

Blind flange (for individual machining)	<b>14.00 00 20</b>	Lid hinges (2 pcs.) retrofitting for all types	<b>14.00 00 26</b>
Threaded flange (17 x PG 11)	<b>14.00 00 30</b>	External mounting brackets (4 pcs.)	<b>10.03 11 02</b>
Threaded flange (14 x PG 13,5)	<b>14.00 00 22</b>	Threaded inserts (10 pcs.) additional	<b>10.03 50 02</b>
Threaded flange (11 x PG 16)	<b>14.00 00 21</b>	Silicone seal for flanges	<b>10.05 14 02</b>
Threaded flange (4 x PG 16; 2 x PG 21; 1 x PG 29)	<b>14.00 00 23</b>	Silicone seal for connection flange	<b>10.05 14 03</b>
Connection flange	<b>14.00 00 25</b>		

## Terminal mounting

	Phoenix												Earthing bar 2.5 mm <sup>2</sup> with cable lug max. 10 mm <sup>2</sup>	Earthing screw M4 with cable lug max. 6 mm <sup>2</sup>	M6 with cable lug max. 35 mm <sup>2</sup>	Earth connections as required	
	X	X															
DIN rail TS 15	X	X															
DIN rail TS 35			X	X	X	X	X	X	X	X	X	X					
Voltage (V)	500	500	1000	1000	1000	1000	1000	1000	1000	1000	1000	1000					
Current (A)	24	32	24	32	41	57	76	125	150	232	309	415					
Nom. cross section (mm <sup>2</sup> )	2,5	4	2,5	4	6	10	16	35	50	95	150	240					
Terminal width (mm)	5,2	6,2	5,2	6,2	8,2	10,2	12,2	16	20	25	31	36					
Terminal type																	
Type	MUT 2,5	MUT 4	UT 2,5	UT 4	UT 6	UT 10	UT 16	UT 35	UKH 50	UKH 95	UKH 150	UKH 240					
<b>14.01 00 . .</b>	44	37	44	37	28	22	18	15									20
<b>14.02 00 . .</b>	88	74	88	74	56	44	36	30									20
<b>14.03 00 . .</b>	192	160	192	160	122	98	82	64	50								40

## Accessories



**Blind flange**  
weight: 225 g

Order No.	Version
<b>14.00 00 20</b>	without holes



**Threaded flange**  
with pre-embossed PG holes  
with metric pre-embossing on request

Order No.	Version
<b>14.00 00 30</b>	17 x PG 11
<b>14.00 00 22</b>	14 x PG 13,5
<b>14.00 00 21</b>	11 x PG 16
<b>14.00 00 23</b>	4 x PG 16; 2 x PG 21; 1 x PG 29



**Connection flange**  
to connect two polyester flange enclosures

Order No. **14.00 00 25**



**Lid hinges**  
set = 2 pcs., retrofittable to all polyester flange enclosures

Order No. **14.00 00 26**

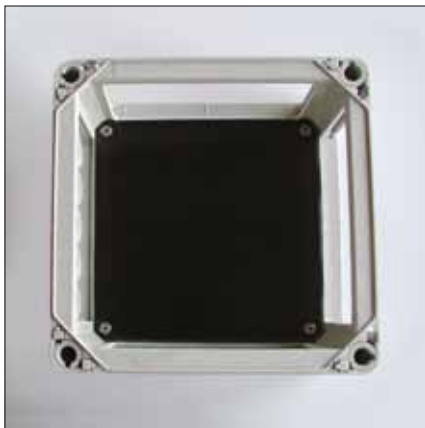
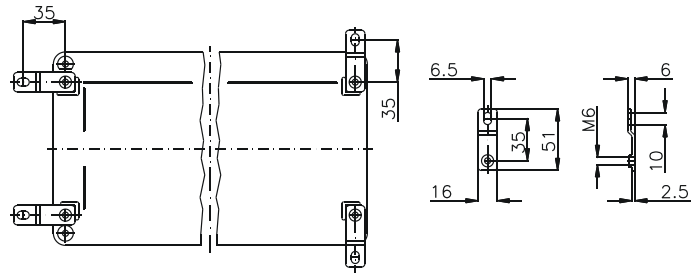
# Polyester Flange

## Accessories



**External mounting brackets**  
set = 4 pcs.

Order No. **10.03 11 02**



**Mounting plates**  
for fitting electro-mechanical components

Order-No.	Type
<b>14.00 00 11</b>	14.01
<b>14.00 00 12</b>	14.02
<b>14.00 00 13</b>	14.03



**Front plate**  
with stud bolts and fastening screws  
(for dimensions, refer to mounting plate)

Order-No.	Type
<b>14.00 00 27</b>	14.01
<b>14.00 00 28</b>	14.02
<b>14.00 00 29</b>	14.03

Type: **14.01 . .**

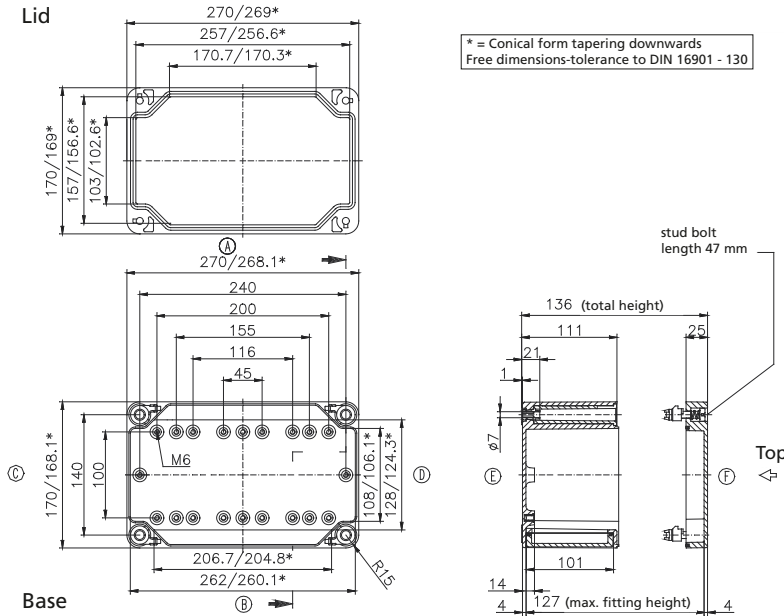
External dimensions: **170 x 270 x 136 mm**

Weight: **2140 g**

DIN rail length in mm	max. fitting length in mm	Mounting plate (thickness in mm)	External mounting bracket	Lid hinges	No. of flanges			
TS 15/35								
255	240	3	•	•	2			

Maximum number of cable glands to DIN 50262\*

M	Corner dim.	Side		PG	Corner dim.	Side	
		A/B	C/D			A/B	C/D
12	17,25	63	33	7	17,25	63	33
16	25,30	28	16	9	21,85	38	20
20	27,60	22	12	11	25,30	28	14
25	37,95	12	6	13,5	27,60	22	12
32	48,30	8	4	16	31,05	18	9
40	60,95	3	2	21	37,95	11	6
50	69,00	3	1	29	48,30	8	4
63	74,75	2	1	36	60,95	3	2
				42	69,00	3	1
				48	74,75	2	1



Type: **14.02 . .**

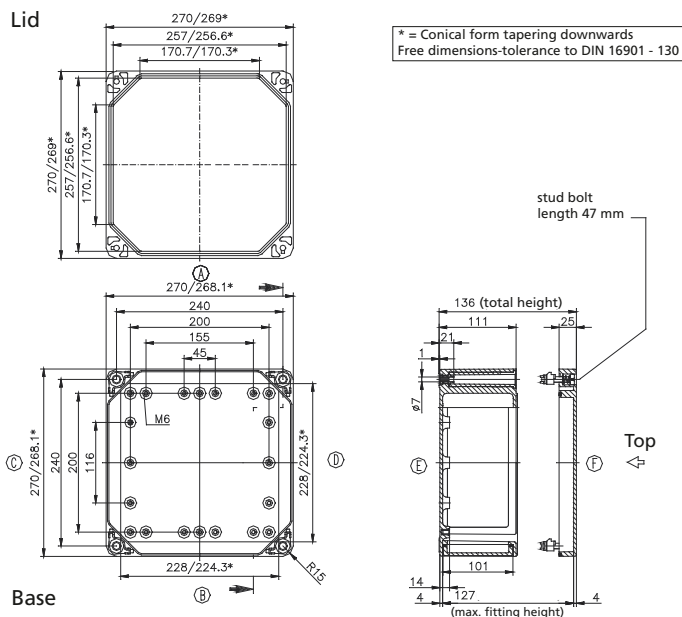
External dimensions: **270 x 270 x 136 mm**

Weight: **2750 g**

DIN rail length in mm	max. fitting length in mm	Mounting plate (thickness in mm)	External mounting bracket	Lid hinges	No. of flanges			
TS 15/35								
215	200	3	•	•	4			

Maximum number of cable glands to DIN 50262\*

M	Corner dim.	Side		PG	Corner dim.	Side	
		A/B	C/D			A/B	C/D
12	17,25	63	63	7	17,25	63	63
16	25,30	28	28	9	21,85	38	38
20	27,60	22	22	11	25,30	28	28
25	37,95	12	12	13,5	27,60	22	22
32	48,30	8	8	16	31,05	18	18
40	60,95	3	3	21	37,95	11	11
50	69,00	3	3	29	48,30	8	8
63	74,75	2	2	36	60,95	3	3
				42	69,00	3	3
				48	74,75	2	2

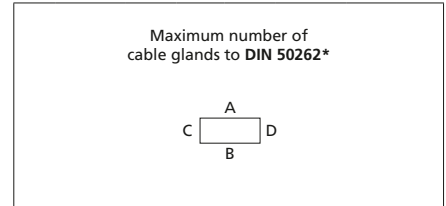


Type: **14.03 . .**

External dimensions: **270 x 541 x 136 mm**

Weight: **4800 g**

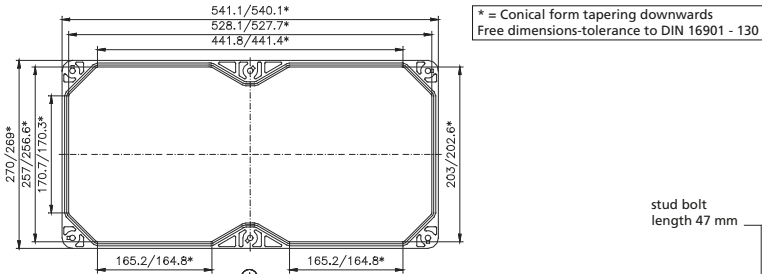
DIN rail length in mm	max fitting length in mm	Mounting plate (thickness in mm)	External mounting bracket	Lid hinges	No. of flanges			
TS 15/35								
485	470	3	•	•	6			



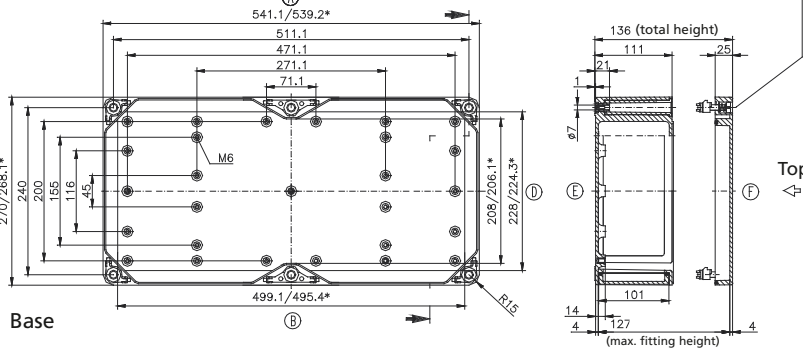
M	Corner dim.	Side		PG	Corner dim.	Side	
		A/B	C/D			A/B	C/D
12	17,25	63	63	7	17,25	63	63
16	25,30	28	28	9	21,85	38	38
20	27,60	22	22	11	25,30	28	28
25	37,95	12	12	13,5	27,60	22	22
32	48,30	8	8	16	31,05	18	18
40	60,95	3	3	21	37,95	11	11
50	69,00	3	3	29	48,30	8	8
63	74,75	2	2	36	60,95	3	3
				42	69,00	3	3
				48	74,75	2	2

\* per flange

Lid



Base





ABS: no UL certificate



### Technical data

**Material:**

Polycarbonate

ABS

**Colour:**

RAL 7035, light grey

special colour on request

**Ingress protection:**

IP 66 to EN 60529 (03./09.08 23 09: IP 65)

**Surface resistance:**

PC:  $>10^{15}$  Ohm / IEC 60093

ABS:  $4 \times 10^{14}$  Ohm / IEC 60093

**Disruptive strength:**

PC:  $>30$  KV/mm IEC 60243-1

ABS:  $24$  KV/mm IEC 60243-1

**Impact resistance:**

7 Joule to EN 60079-0

**Insulation:**

fully insulated to VDE 0100

**Flammability:**

PC: UL 94 V-2

ABS: UL 94 HB

**Toxicity:**

halogen-free

**Temperature range:**

PC: CR (chloroprene) seal:  $-40^{\circ}\text{C}$  to  $+100^{\circ}\text{C}$

ABS: CR (chloroprene) seal:  $-40^{\circ}\text{C}$  to  $+60^{\circ}\text{C}$

- Light plastic enclosure for industrial applications
- Polycarbonate enclosure with standard or transparent lid
- ABS enclosure with standard lid
- Optional: EMC version coated

### Included in delivery

Plastic enclosure consisting of lid, seal, incl. captive +/- stainless steel screws, base with 2 self-tapping fastening screws for internal mounting