

Polyester / ABS cabinets



- Enclosure system with hinged lid for MCR technology
- Standard version or with window panel or transparent door (ABS)

Technical data

Material:

glass fibre reinforced duroplastic polyester / ABS

Colour:

Polyester: RAL 7032, pebble grey

ABS: RAL 7035, light grey

special colour on request

Ingress protection:

IP 65 to EN 60529

Impact resistance:

7 Joule to EN 60079-0

Flammability:

Polyester: self-extinguishing, UL 94 V-0

ABS: UL 94 HB

Insulation:

fully insulated to VDE 0100

Disruptive strength:

Polyester: 26 KV/mm, IEC 60243-1

ABS: 24 KV/mm, IEC 60243-1

Toxicity:

halogen-free

Surface resistance:

Polyester: 4×10^{15} Ohm, IEC 60093

ABS: 4×10^{14} Ohm, IEC 60093

Door opening angle:

135°

Temperature range:

Polyester: -55°C to +90°C

with window: -55°C to +80°C

ABS: -40°C to +70°C

Included in delivery

Enclosure consisting of base and door, please order door lock separately, press-in inserts in base for internal and external mounting.

Product range

	Dimensions (mm) W x L x H	Weight (g)	ABS	ABS with transparent door	GFK	GFK with window
Size 1	200 x 250 x 150	748	21.20 25 90	22.20 25 90	-	-
Size 2	250 x 300 x 170	1248	21.25 30 90	22.25 30 90	-	-
Size 1	200 x 250 x 150	1300	-	-	21.20 25 00	22.20 25 00
Size 2	250 x 300 x 170	2530	-	-	21.25 30 00	22.25 30 00

Note: Standard delivery enclosure without locking screws, please order separately

Optional lock (loose)

Triangular lock 8 mm (1 pc.)	21.62 00 03
Square lock 8 mm (1 pc.)	21.62 00 04
Knob (1 pc.)	21.62 00 01
Knob with lock (1 pc.)	21.62 00 02

Accessories (loose)

Mounting plate for size 1 (hard paper)	10.01 12 05
Mounting plate for size 2 (hard paper)	10.01 12 06
Internal aluminium front plate with stud bolt for size 1	10.01 31 01
Internal aluminium front plate with stud bolt for size 2	10.01 31 02
External mounting brackets (4 pcs.)	10.03 10 10
Hole covers for fastening through the cabinet bottom (4 pcs.)	10.03 90 02
Socket spanner, triangular 8 mm	10.04 70 03
Socket spanner, triangular 8 mm	10.04 70 04

Polyester / ABS cabinets

Accessories



Mounting plate

Order No.	for type
10.01 12 05	21.20 25
10.01 12 06	21.25 30



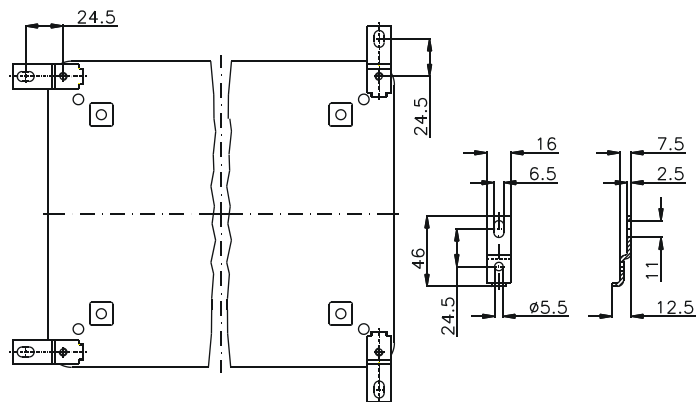
Internal front plate with stud bolt

Order No.	for type
10.01 31 01	21.20 25
10.01 31 02	21.25 30



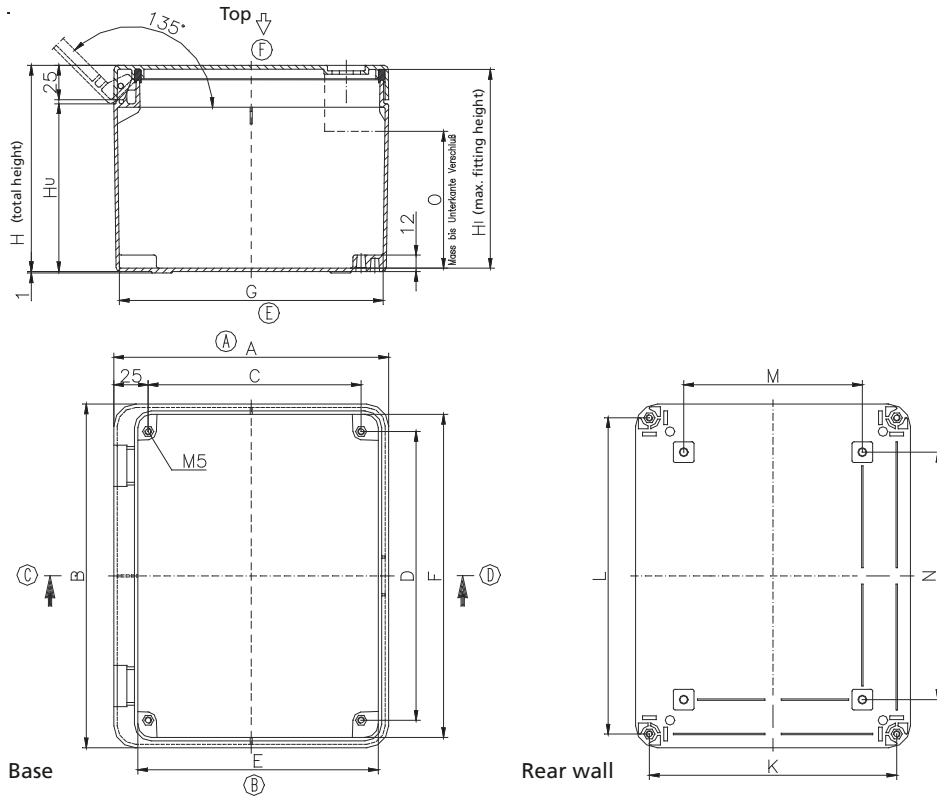
External mounting brackets

Order No. **10.03 10 10**



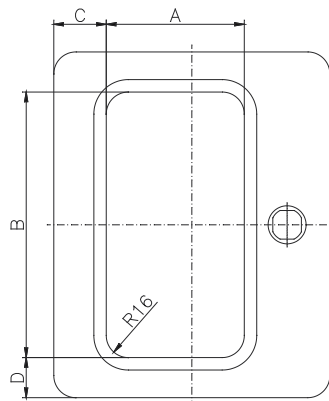
Dimensions

Type	A	B	C	D	E	F	G	K	L	M	M	O	H _I	H _U	H _{Ges.}
21./22.20 25 00	200	250	155	210	174	236,5	194	180	230	130	180	100	144	122	150
21./22.25 30 00	250	300	205	260	223	285	243	230	280	180	230	119	164	142	170
21./22.20 25 90	200	250	155	210	174	236,5	194	180	230	130	180	100	144	122	150
21./22.25 30 90	250	300	205	260	223	285	243	230	280	180	230	119	164	142	170



Window (with polyester version)

Type	A	B	C	D
21.20 25	100	192	38	29
21.25 30	145	242	43	29



CS-Box



- Break proof polyamide enclosure for individual fitting of 22.5 mm control switches (lid mounting or base mounting) and pilote lamps
- Execution with 22.5 mm lid holes or without lid holes
- Gland holes M20 / M25 on two sides

Technical data

Material:

Polyamide 6

Ingress protection:

IP 65, EN 60529

Impact resistance:

7 Joule, EN 60079-0

Surface resistance:

10^{12} Ohm, IEC 60093

Flammability:

UL 94 V-2

Colour:

Base: RAL 9005, jet black

Top: RAL 7035, light grey

Temperature range:

-20°C to +60°C

Including in delivery:

Enclosure consisting of lid and base with screws base with M20 and M25 hole for cable entry; mounting possibility of TS 35/7,5 mm DIN rails and adaption plates of several manufacturer