

Polycarbonate / ABS

Product range

| Order No. Polycarbonate enclosure | Order No. Polycarbonate enclosure with transparent lid | Order No. ABS enclosure | Dimensions (mm) W x L x H | DIN rail | | External mounting brackets | Mounting plate Pertinax thickness in mm | Silicone lid seal up to +130° | Table feet rubber | PC external hinge approx. 150° ¹⁾ | Sealable lid screws ²⁾ | EMC version aluminized |
|--------------------------------------|---|----------------------------|------------------------------|----------|-------|----------------------------|---|-------------------------------|-------------------|--|-----------------------------------|------------------------|
| | | | | TS 15 | TS 35 | | | | | | | |
| 03.05 05 04 | 33.05 05 04 | 09.05 05 04 | 50 x 52 x 35 | | | | 1,5 | | | | | • |
| 03.05 07 04 | 33.05 07 04 | 09.05 07 04 | 50 x 65 x 35 | • | | | 1,5 | • | | | | • |
| 03.08 08 06 | 33.08 08 06 | 09.08 08 06 | 80 x 82 x 55 | • | | • | 1,5 | • | • | | • | • |
| 03.08 08 09 | 33.08 08 09 | 09.08 08 09 | 80 x 82 x 85 | • | | • | 1,5 | • | • | | • | • |
| 03.08 12 06 | 33.08 12 06 | 09.08 12 06 | 80 x 120 x 55 | • | | • | 1,5 | • | • | • | • | • |
| 03.08 12 09 | 33.08 12 09 | 09.08 12 09 | 80 x 120 x 85 | • | | • | 1,5 | • | • | • | • | • |
| 03.08 16 06 | 33.08 16 06 | 09.08 16 06 | 80 x 160 x 55 | • | | • | 1,5 | • | • | • | • | • |
| 03.08 16 09 | 33.08 16 09 | 09.08 16 09 | 80 x 160 x 85 | • | | • | 1,5 | • | • | • | • | • |
| 03.08 23 09 | | 09.08 23 09 | 80 x 230 x 85 | • | | • | 1,5 | • | • | • | • | • |
| 03.12 12 06 | 33.12 12 06 | 09.12 12 06 | 120 x 122 x 55 | | • | • | 2 | • | • | • | • | • |
| 03.12 12 09 | 33.12 12 09 | 09.12 12 09 | 120 x 122 x 85 | | • | • | 2 | • | • | • | • | • |
| 03.12 12 11 | 33.12 12 11 | 09.12 12 11 | 120 x 122 x 105 | | • | • | 2 | • | • | • | | • |
| 03.12 16 09 | 33.12 16 09 | 09.12 16 09 | 120 x 160 x 90 | | • | • | 2 | • | • | • | | • |
| 03.12 16 14 | 33.12 16 14 | 09.12 16 14 | 120 x 160 x 140 | | • | • | 2 | • | • | • | | • |
| 03.12 20 08 | 33.12 20 08 | 09.12 20 08 | 120 x 200 x 75 | | • | • | 2 | • | • | • | • | • |
| 03.12 20 09 | 33.12 20 09 | 09.12 20 09 | 120 x 200 x 90 | | • | • | 2 | • | • | • | | • |
| 03.12 24 10 | 33.12 24 10 | 09.12 24 10 | 120 x 240 x 100 | | • | • | 2 | • | • | • | | • |
| 03.15 20 08 | 33.15 20 08 | 09.15 20 08 | 150 x 200 x 75 | | • | • | 2 | • | • | • | • | • |
| 03.16 24 09 | 33.16 24 09 | 09.16 24 09 | 160 x 240 x 90 | | • | • | 2,5 ³⁾ | • | • | • | • | • |
| 03.16 24 12 | 33.16 24 12 | 09.16 24 12 | 160 x 240 x 120 | | • | • | 2,5 | • | • | • | | • |
| 03.16 36 10 | - | 09.16 36 10 | 160 x 360 x 100 | | • | • | 2,5 | • | • | • | | • |
| 03.20 36 15 | 33.20 36 15 | 09.20 36 15 | 200 x 360 x 149 | | • | • | 2,5 | • | • | • | | • |
| 03.23 30 09 | 33.23 30 09 | 09.23 30 09 | 230 x 300 x 85 | | • | • | 2 | • | • | • | | • |
| 03.23 30 11 | 33.23 30 11 | 09.23 30 11 | 230 x 300 x 110 | | • | • | 2 | • | • | • | | • |
| - | - | 09.40 36 15 | 400 x 360 x 150 | | • | | 2,5 ³⁾ | • | • | | | • |

¹⁾ Please quote mounting side A-D when ordering. ²⁾ Stainless steel ³⁾ Galvanized sheet steel Transparent lid for ABS enclosure not available.

Accessories

| | |
|--|--------------------|
| Small table feet (for sizes up to xx.15 20 08) | 10.03 40 01 |
| Small table feet (for sizes up to xx.16 24 19) | 10.03 40 02 |
| Threaded inserts M4 (10 pcs.) | 10.03 70 04 |
| Threaded inserts M3 (10 pcs.) | 10.03 70 03 |
| Set of external hinges (2 pcs.) | 10.02 12 01 |

Polycarbonate / ABS

Accessories



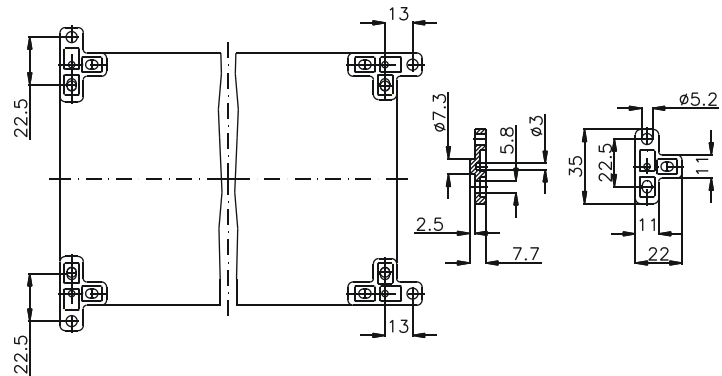
Mounting plate
for fitting electro-mechanical components

| Order No. | for enclosure type | Order No. | for enclosure type |
|--------------------|--------------------|--------------------|--------------------|
| 10.01 20 01 | 03/09/33.05 05 04 | 10.01 20 07 | 03/09/33.12 16 14 |
| 10.01 20 02 | 03/09/33.05 07 04 | 10.01 20 08 | 03/09/33.12 20 08 |
| 10.01 20 03 | 03/09/33.08 08 06 | 10.01 20 08 | 03/09/33.12 20 09 |
| 10.01 20 03 | 03/09/33.08 08 09 | 10.01 20 09 | 03/09/33.12 24 10 |
| 10.01 20 04 | 03/09/33.08 12 06 | 10.01 20 10 | 03/09/33.15 20 08 |
| 10.01 20 04 | 03/09/33.08 12 09 | 10.01 20 11 | 03/09/33.16 24 09 |
| 10.01 20 05 | 03/09/33.08 16 06 | 10.01 20 11 | 03/09/33.16 24 12 |
| 10.01 20 05 | 03/09/33.08 16 09 | 10.01 20 12 | 03/09/33.16 36 10 |
| 10.01 20 16 | 03/09/33.08 23 09 | 10.01 20 13 | 03/09/33.20 36 15 |
| 10.01 20 06 | 03/09/33.12 12 06 | 10.01 20 14 | 03/09/33.23 30 09 |
| 10.01 20 06 | 03/09/33.12 12 09 | 10.01 20 14 | 03/09/33.23 30 11 |
| 10.01 20 06 | 03/09/33.12 12 11 | 10.01 20 15 | 03/09/33.40 36 15 |
| 10.01 20 07 | 03/09/33.12 16 09 | | |



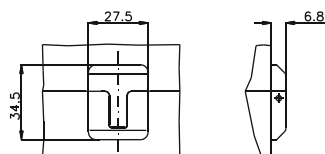
External mounting brackets (set = 4 pcs.)

Order No. **10.03 12 01**



External hinge (set = 2 pcs.)

Order No. **10.02 12 01**



Threaded inserts

Order No.

| | |
|--------------------|--|
| 10.03 70 03 | Set with 10 pcs. M3 |
| 10.03 70 04 | Set with 10 pcs. M4 only for enclosure ...16 36 10; ...20 36 15; ...40 36 15 |

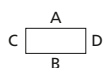
Type: . . .05 05 04

External dimensions: 50 x 52 x 35 mm

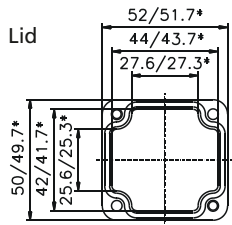
Weight: 70 g

| | | | | | | | | |
|-----------------------|---------------------------|----------------------------------|----------------------------|---------------------|-------------|-------------------------------|-------------------|-----------------------------|
| DIN rail length in mm | max. fitting length in mm | Mounting plate (thickness in mm) | External mounting brackets | External hinge* set | EMC version | Self-adhesive rubber feet set | Silicone lid seal | Sealable lid screw in steel |
| | | 1,5 | | | • | | | |

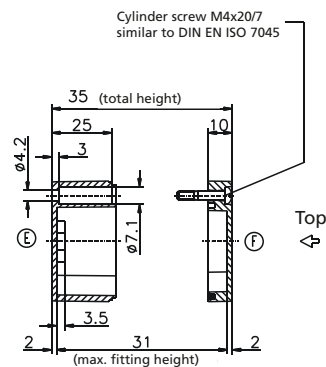
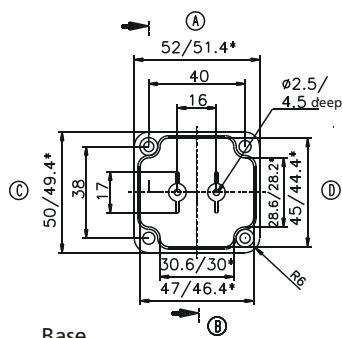
Maximum number of cable glands to DIN 50262*



| M | Corner dim. | Side | | PG | Corner dim. | Side | |
|----|-------------|------|-----|------|-------------|------|-----|
| | | A/B | C/D | | | A/B | C/D |
| 12 | 17,25 | 2 | 1 | 7 | 17,25 | 2 | 1 |
| 16 | 25,30 | | | 9 | 21,85 | 1 | 1 |
| 20 | 27,60 | | | 11 | 25,30 | | |
| 25 | 37,95 | | | 13,5 | 27,60 | | |
| 32 | 48,30 | | | 16 | 31,05 | | |
| 40 | 60,95 | | | 21 | 37,95 | | |
| 50 | 69,00 | | | 29 | 48,30 | | |
| 63 | 74,75 | | | 36 | 60,95 | | |
| | | | | 42 | 69,00 | | |
| | | | | 48 | 74,75 | | |



* = Conical form tapering downwards
Free dimensions-tolerance to DIN 16901 - 130



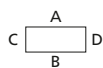
Type: . . .05 07 04

External dimensions: 50 x 65 x 35 mm

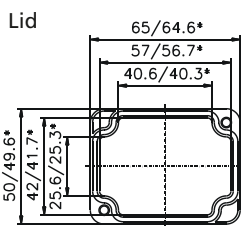
Weight: 74 g

| | | | | | | | | |
|-----------------------|---------------------------|----------------------------------|----------------------------|---------------------|-------------|-------------------------------|-------------------|-----------------------------|
| DIN rail length in mm | max. fitting length in mm | Mounting plate (thickness in mm) | External mounting brackets | External hinge* set | EMC version | Self-adhesive rubber feet set | Silicone lid seal | Sealable lid screw in steel |
| TS 15 | | 1,5 | | | | | | |
| 45 | | | | | • | | • | |

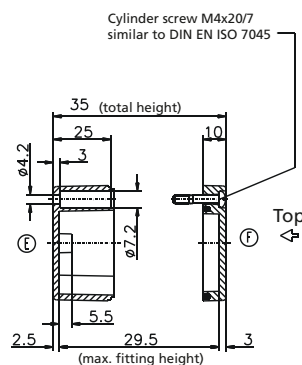
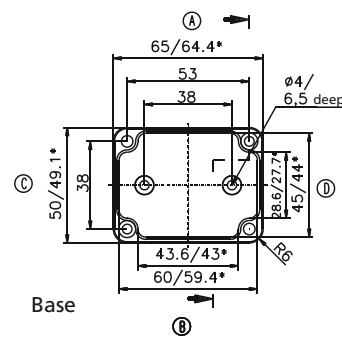
Maximum number of cable glands to DIN 50262*



| M | Corner dim. | Side | | PG | Corner dim. | Side | |
|----|-------------|------|-----|------|-------------|------|-----|
| | | A/B | C/D | | | A/B | C/D |
| 12 | 17,25 | 2 | 2 | 7 | 17,25 | 2 | 2 |
| 16 | 25,30 | | | 9 | 21,85 | 2 | 1 |
| 20 | 27,60 | | | 11 | 25,30 | | |
| 25 | 37,95 | | | 13,5 | 27,60 | | |
| 32 | 48,30 | | | 16 | 31,05 | | |
| 40 | 60,95 | | | 21 | 37,95 | | |
| 50 | 69,00 | | | 29 | 48,30 | | |
| 63 | 74,75 | | | 36 | 60,95 | | |
| | | | | 42 | 69,00 | | |
| | | | | 48 | 74,75 | | |



* = Conical form tapering downwards
Free dimensions-tolerance to DIN 16901 - 130



* Please quote mounting side

Type: **. . .08 08 06**

External dimensions: **80 x 82 x 55 mm**

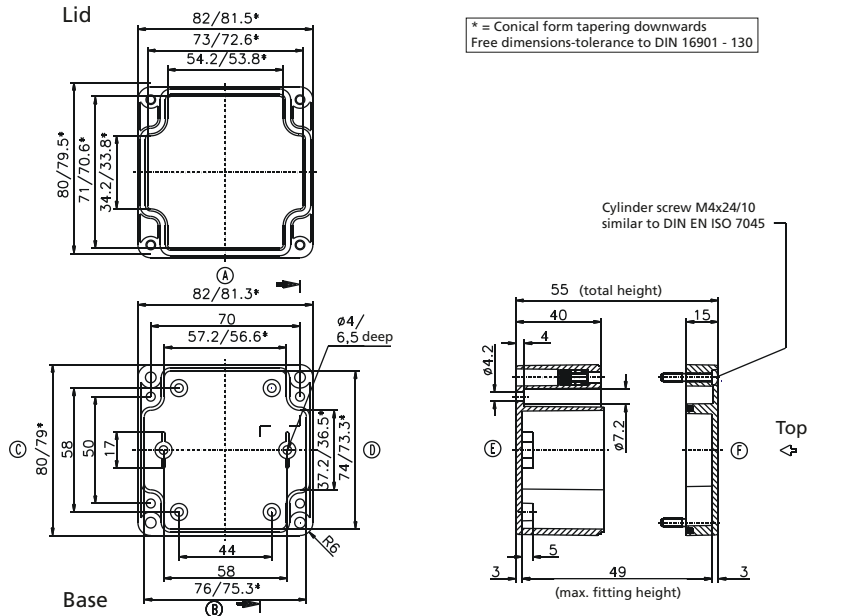
Weight: **200 g**

| | | | | | | | | |
|-----------------------|---------------------------|----------------------------------|----------------------------|---------------------|-------------|-------------------------------|-------------------|-----------------------------|
| DIN rail length in mm | max. fitting length in mm | Mounting plate (thickness in mm) | External mounting brackets | External hinge* set | EMC version | Self-adhesive rubber feet set | Silicone lid seal | Sealable lid screw in steel |
| TS 15 | | | | | | | | |
| 68 | 56 | 1,5 | • | | • | • | • | • |

Maximum number of cable glands to DIN 50262*



| M | Corner dim. | Side | | PG | Corner dim. | Side | |
|----|-------------|------|-----|------|-------------|------|-----|
| | | A/B | C/D | | | A/B | C/D |
| 12 | 17,25 | 6 | 4 | 7 | 17,25 | 6 | 4 |
| 16 | 25,30 | 2 | 2 | 9 | 21,85 | 3 | 2 |
| 20 | 27,60 | 2 | 1 | 11 | 25,30 | 2 | 1 |
| 25 | 37,95 | 1 | 1 | 13,5 | 27,60 | 2 | 1 |
| 32 | 48,30 | | | 16 | 31,05 | 2 | 1 |
| 40 | 60,95 | | | 21 | 37,95 | 1 | 1 |
| 50 | 69,00 | | | 29 | 48,30 | | |
| 63 | 74,75 | | | 36 | 60,95 | | |
| | | | | 42 | 69,00 | | |
| | | | | 48 | 74,75 | | |



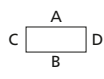
Type: **. . .08 08 09**

External dimensions: **80 x 82 x 85 mm**

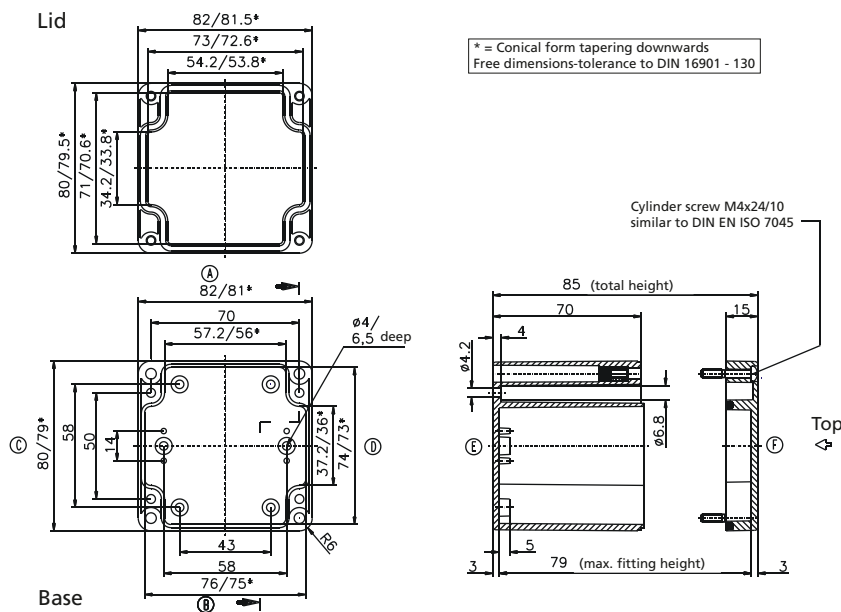
Weight: **250 g**

| | | | | | | | | |
|-----------------------|---------------------------|----------------------------------|----------------------------|---------------------|-------------|-------------------------------|-------------------|-----------------------------|
| DIN rail length in mm | max. fitting length in mm | Mounting plate (thickness in mm) | External mounting brackets | External hinge* set | EMC version | Self-adhesive rubber feet set | Silicone lid seal | Sealable lid screw in steel |
| TS 15 | | | | | | | | |
| 68 | 56 | 1,5 | • | | • | • | • | • |

Maximum number of cable glands to DIN 50262*



| M | Corner dim. | Side | | PG | Corner dim. | Side | |
|----|-------------|------|-----|------|-------------|------|-----|
| | | A/B | C/D | | | A/B | C/D |
| 12 | 17,25 | 10 | 6 | 7 | 17,25 | 10 | 6 |
| 16 | 25,30 | 5 | 2 | 9 | 21,85 | 6 | 3 |
| 20 | 27,60 | 4 | 2 | 11 | 25,30 | 5 | 2 |
| 25 | 37,95 | 2 | 1 | 13,5 | 27,60 | 4 | 2 |
| 32 | 48,30 | 1 | 1 | 16 | 31,05 | 4 | 2 |
| 40 | 60,95 | 1 | | 21 | 37,95 | 1 | 1 |
| 50 | 69,00 | | | 29 | 48,30 | 1 | |
| 63 | 74,75 | | | 36 | 60,95 | 1 | |
| | | | | 42 | 69,00 | | |
| | | | | 48 | 74,75 | | |



* Please quote mounting side

Type: . . .08 16 06

External dimensions: 80 x 160 x 55 mm

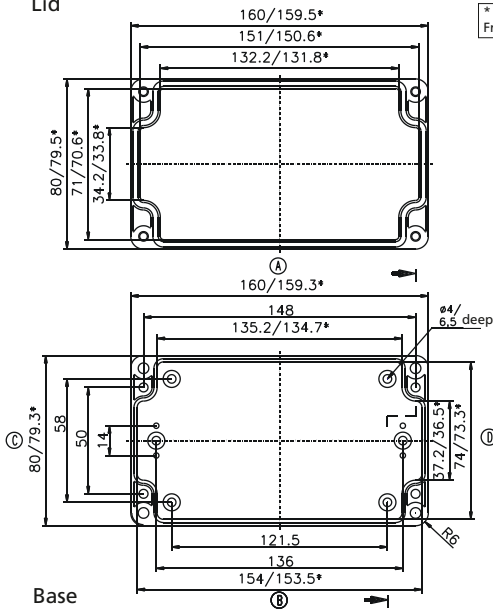
Weight: 270 g

| | | | | | | | | |
|-----------------------|---------------------------|----------------------------------|----------------------------|---------------------|-------------|-------------------------------|-------------------|-----------------------------|
| DIN rail length in mm | max. fitting length in mm | Mounting plate (thickness in mm) | External mounting brackets | External hinge* set | EMC version | Self-adhesive rubber feet set | Silicone lid seal | Sealable lid screw in steel |
| TS 15 | | | | | | | | |
| 150 | 134 | 1,5 | • | • | • | • | • | • |

Maximum number of cable glands to DIN 50262*

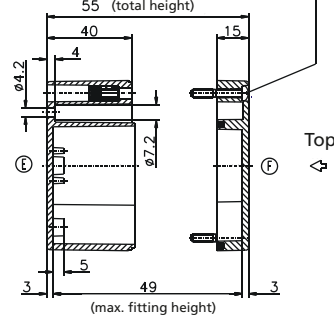
| M | Corner dim. | Side | | PG | Corner dim. | Side | |
|----|-------------|------|-----|------|-------------|------|-----|
| | | A/B | C/D | | | A/B | C/D |
| 12 | 17,25 | 16 | 4 | 7 | 17,25 | 14 | 4 |
| 16 | 25,30 | 6 | 2 | 9 | 21,85 | 8 | 2 |
| 20 | 27,60 | 5 | 1 | 11 | 25,30 | 6 | 1 |
| 25 | 37,95 | 3 | 1 | 13,5 | 27,60 | 5 | 1 |
| 32 | 48,30 | | | 16 | 31,05 | 4 | 1 |
| 40 | 60,95 | | | 21 | 37,95 | 3 | |
| 50 | 69,00 | | | 29 | 48,30 | | |
| 63 | 74,75 | | | 36 | 60,95 | | |
| | | | | 42 | 69,00 | | |
| | | | | 48 | 74,75 | | |

Lid



* = Conical form tapering downwards
 Free dimensions-tolerance to DIN 16901 - 130

Cylinder screw M4x24/10 similar to DIN EN ISO 7045



Type: . . .08 16 09

External dimensions: 80 x 160 x 85 mm

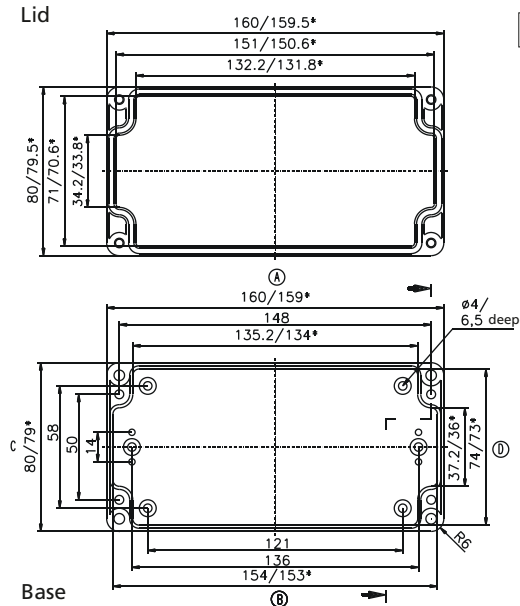
Weight: 340 g

| | | | | | | | | |
|-----------------------|---------------------------|----------------------------------|----------------------------|---------------------|-------------|-------------------------------|-------------------|-----------------------------|
| DIN rail length in mm | max. fitting length in mm | Mounting plate (thickness in mm) | External mounting brackets | External hinge* set | EMC version | Self-adhesive rubber feet set | Silicone lid seal | Sealable lid screw in steel |
| TS 15 | | | | | | | | |
| 150 | 134 | 1,5 | • | • | • | • | • | • |

Maximum number of cable glands to DIN 50262*

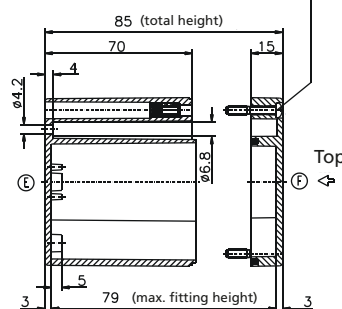
| M | Corner dim. | Side | | PG | Corner dim. | Side | |
|----|-------------|------|-----|------|-------------|------|-----|
| | | A/B | C/D | | | A/B | C/D |
| 12 | 17,25 | 28 | 6 | 7 | 17,25 | 28 | 6 |
| 16 | 25,30 | 14 | 3 | 9 | 21,85 | 18 | 4 |
| 20 | 27,60 | 9 | 2 | 11 | 25,30 | 12 | 2 |
| 25 | 37,95 | 5 | 1 | 13,5 | 27,60 | 9 | 2 |
| 32 | 48,30 | 3 | 1 | 16 | 31,05 | 8 | 2 |
| 40 | 60,95 | 2 | | 21 | 37,95 | 5 | 1 |
| 50 | 69,00 | 2 | | 29 | 48,30 | 3 | |
| 63 | 74,75 | | | 36 | 60,95 | 2 | |
| | | | | 42 | 69,00 | 2 | |
| | | | | 48 | 74,75 | | |

Lid



* = Conical form tapering downwards
 Free dimensions-tolerance to DIN 16901 - 130

Cylinder screw M4x24/10 similar to DIN EN ISO 7045



* Please quote mounting side

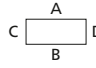
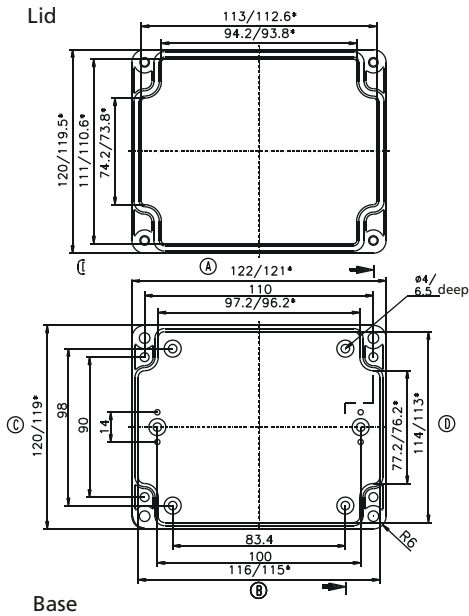
Type: **. . .12 12 09**

External dimensions: **120 x 122 x 85 mm**

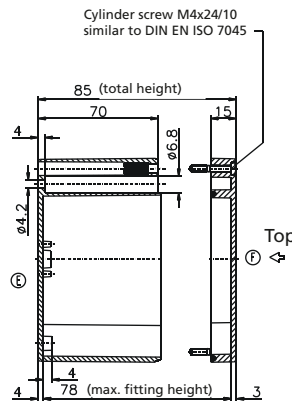
Weight: **430 g**

| | | | | | | | | |
|-----------------------|---------------------------|----------------------------------|----------------------------|---------------------|-------------|-------------------------------|-------------------|-----------------------------|
| DIN rail length in mm | max. fitting length in mm | Mounting plate (thickness in mm) | External mounting brackets | External hinge* set | EMC version | Self-adhesive rubber feet set | Silicone lid seal | Sealable lid screw in steel |
| TS 35 | | | | | | | | |
| 110 | 96 | 2 | • | • | • | • | • | • |

Maximum number of cable glands to DIN 50262*

* = Conical form tapering downwards
Free dimensions-tolerance to DIN 16901 - 130



| M | Corner dim. | Side | | PG | Corner dim. | Side | |
|----|-------------|------|-----|------|-------------|------|-----|
| | | A/B | C/D | | | A/B | C/D |
| 12 | 17,25 | 20 | 14 | 7 | 17,25 | 20 | 14 |
| 16 | 25,30 | 9 | 6 | 9 | 21,85 | 12 | 9 |
| 20 | 27,60 | 6 | 5 | 11 | 25,30 | 9 | 6 |
| 25 | 37,95 | 4 | 2 | 13,5 | 27,60 | 6 | 5 |
| 32 | 48,30 | 2 | 1 | 16 | 31,05 | 6 | 4 |
| 40 | 60,95 | 1 | 1 | 21 | 37,95 | 3 | 2 |
| 50 | 69,00 | 1 | | 29 | 48,30 | 2 | 1 |
| 63 | 74,75 | | | 36 | 60,95 | 1 | 1 |
| | | | | 42 | 69,00 | 1 | |
| | | | | 48 | 74,75 | | |

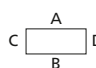
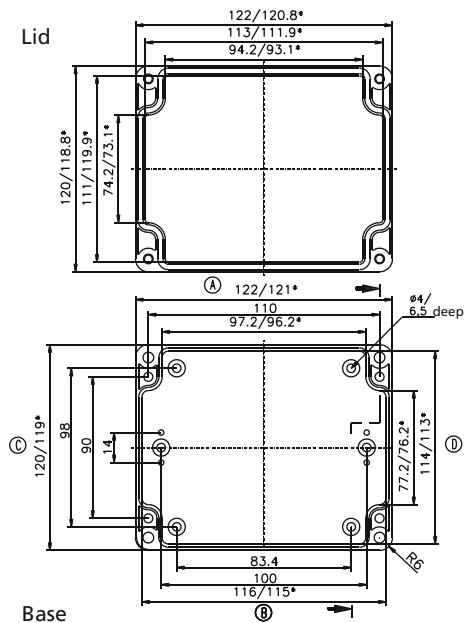
Type: **. . .12 12 11**

External dimensions: **120 x 122 x 105 mm**

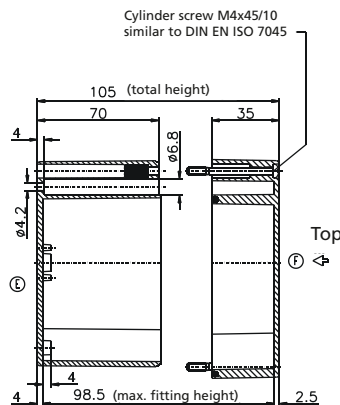
Weight: **560 g**

| | | | | | | | | |
|-----------------------|---------------------------|----------------------------------|----------------------------|---------------------|-------------|-------------------------------|-------------------|-----------------------------|
| DIN rail length in mm | max. fitting length in mm | Mounting plate (thickness in mm) | External mounting brackets | External hinge* set | EMC version | Self-adhesive rubber feet set | Silicone lid seal | Sealable lid screw in steel |
| TS 35 | | | | | | | | |
| 110 | 96 | 2 | • | • | • | • | • | • |

Maximum number of cable glands to DIN 50262*

* = Conical form tapering downwards
Free dimensions-tolerance to DIN 16901 - 130



| M | Corner dim. | Side | | PG | Corner dim. | Side | |
|----|-------------|------|-----|------|-------------|------|-----|
| | | A/B | C/D | | | A/B | C/D |
| 12 | 17,25 | 20 | 14 | 7 | 17,25 | 20 | 14 |
| 16 | 25,30 | 9 | 6 | 9 | 21,85 | 12 | 9 |
| 20 | 27,60 | 6 | 5 | 11 | 25,30 | 9 | 6 |
| 25 | 37,95 | 4 | 2 | 13,5 | 27,60 | 6 | 5 |
| 32 | 48,30 | 2 | 1 | 16 | 31,05 | 6 | 4 |
| 40 | 60,95 | 1 | 1 | 21 | 37,95 | 3 | 2 |
| 50 | 69,00 | 1 | | 29 | 48,30 | 2 | 1 |
| 63 | 74,75 | | | 36 | 60,95 | 1 | 1 |
| | | | | 42 | 69,00 | 1 | |
| | | | | 48 | 74,75 | | |

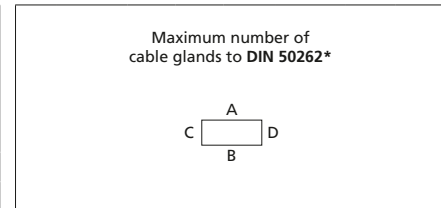
* Please quote mounting side

Type: . . .12 16 09

External dimensions: 120 x 160 x 90 mm

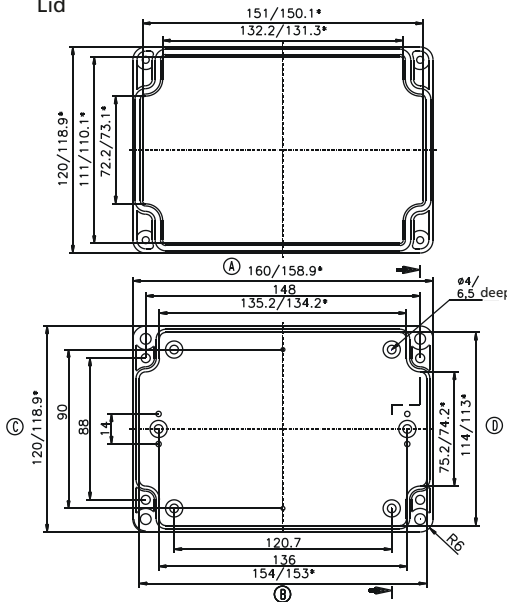
Weight: 490 g

| DIN rail length in mm | max. fitting length in mm | Mounting plate (thickness in mm) | External mounting brackets | External hinge* set | EMC version | Self-adhesive rubber feet set | Silicone lid seal | Sealable lid screw in steel |
|-----------------------|---------------------------|----------------------------------|----------------------------|---------------------|-------------|-------------------------------|-------------------|-----------------------------|
| TS 35 | | | | | | | | |
| 150 | 134 | 2 | • | • | • | • | • | |

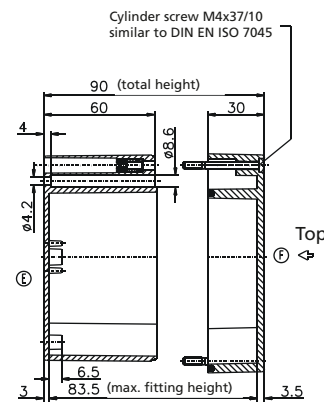


| M | Corner dim. | Side | | PG | Corner dim. | Side | |
|----|-------------|------|-----|------|-------------|------|-----|
| | | A/B | C/D | | | A/B | C/D |
| 12 | 17,25 | 21 | 12 | 7 | 17,25 | 21 | 12 |
| 16 | 25,30 | 10 | 6 | 9 | 21,85 | 12 | 6 |
| 20 | 27,60 | 9 | 4 | 11 | 25,30 | 10 | 6 |
| 25 | 37,95 | 4 | 2 | 13,5 | 27,60 | 9 | 4 |
| 32 | 48,30 | 3 | 1 | 16 | 31,05 | 5 | 3 |
| 40 | 60,95 | | | 21 | 37,95 | 3 | 2 |
| 50 | 69,00 | | | 29 | 48,30 | 2 | 1 |
| 63 | 74,75 | | | 36 | 60,95 | | |
| | | | | 42 | 69,00 | | |
| | | | | 48 | 74,75 | | |

Lid



* = Conical form tapering downwards
Free dimensions-tolerance to DIN 16901 - 130



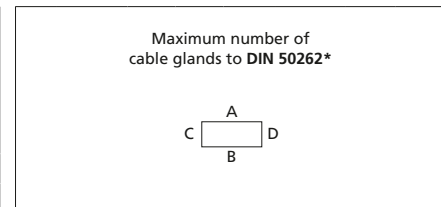
Base

Type: . . .12 16 14

External dimensions: 120 x 160 x 140 mm

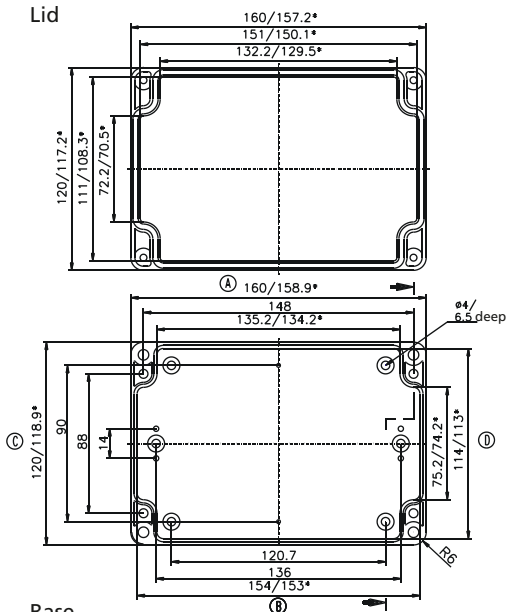
Weight: 600 g

| DIN rail length in mm | max. fitting length in mm | Mounting plate (thickness in mm) | External mounting brackets | External hinge* set | EMC version | Self-adhesive rubber feet set | Silicone lid seal | Sealable lid screw in steel |
|-----------------------|---------------------------|----------------------------------|----------------------------|---------------------|-------------|-------------------------------|-------------------|-----------------------------|
| TS 35 | | | | | | | | |
| 150 | 134 | 2 | • | • | • | • | • | |

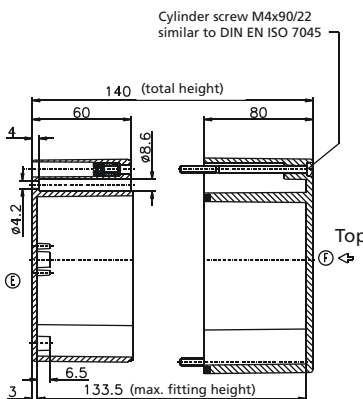


| M | Corner dim. | Side | | PG | Corner dim. | Side | |
|----|-------------|------|-----|------|-------------|------|-----|
| | | A/B | C/D | | | A/B | C/D |
| 12 | 17,25 | 21 | 12 | 7 | 17,25 | 21 | 12 |
| 16 | 25,30 | 10 | 6 | 9 | 21,85 | 12 | 6 |
| 20 | 27,60 | 9 | 4 | 11 | 25,30 | 10 | 6 |
| 25 | 37,95 | 4 | 2 | 13,5 | 27,60 | 9 | 4 |
| 32 | 48,30 | 3 | 1 | 16 | 31,05 | 5 | 3 |
| 40 | 60,95 | | | 21 | 37,95 | 3 | 2 |
| 50 | 69,00 | | | 29 | 48,30 | 2 | 1 |
| 63 | 74,75 | | | 36 | 60,95 | | |
| | | | | 42 | 69,00 | | |
| | | | | 48 | 74,75 | | |

Lid



* = Conical form tapering downwards
Free dimensions-tolerance to DIN 16901 - 130



Base

* Please quote mounting side

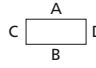
Type: . . . **12 20 08**

External dimensions: **120 x 200 x 75 mm**

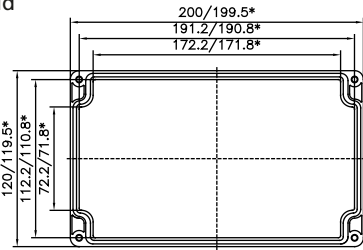
Weight: **492 g**

| | | | | | | | | |
|-----------------------|---------------------------|----------------------------------|----------------------------|---------------------|-------------|-------------------------------|-------------------|-----------------------------|
| DIN rail length in mm | max. fitting length in mm | Mounting plate (thickness in mm) | External mounting brackets | External hinge* set | EMC version | Self-adhesive rubber feet set | Silicone lid seal | Sealable lid screw in steel |
| TS 35 | | | • | • | • | • | • | • |
| 190 | 174 | 2 | • | • | • | • | • | • |

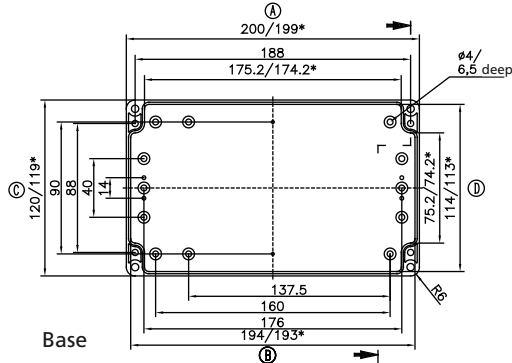
Maximum number of cable glands to DIN 50262*



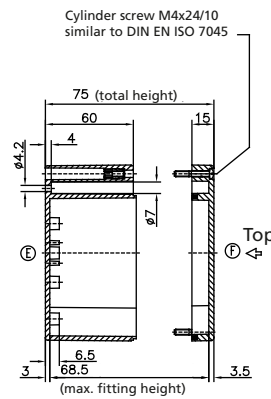
Lid



* = Conical form tapering downwards
Free dimensions-tolerance to DIN 16901 - 130



Base



| M | Corner dim. | Side | | PG | Corner dim. | Side | |
|----|-------------|------|-----|------|-------------|------|-----|
| | | A/B | C/D | | | A/B | C/D |
| 12 | 17,25 | 30 | 15 | 7 | 17,25 | 30 | 15 |
| 16 | 25,30 | 14 | 6 | 9 | 21,85 | 20 | 9 |
| 20 | 27,60 | 12 | 6 | 11 | 25,30 | 12 | 6 |
| 25 | 37,95 | 5 | 3 | 13,5 | 27,60 | 12 | 6 |
| 32 | 48,30 | 3 | 2 | 16 | 31,05 | 10 | 4 |
| 40 | 60,95 | | | 21 | 37,95 | 5 | 2 |
| 50 | 69,00 | | | 29 | 48,30 | 3 | 2 |
| 63 | 74,75 | | | 36 | 60,95 | | |
| | | | | 42 | 69,00 | | |
| | | | | 48 | 74,75 | | |

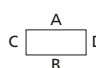
Type: . . . **12 20 09**

External dimensions: **120 x 200 x 90 mm**

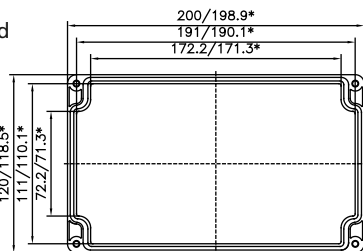
Weight: **600 g**

| | | | | | | | | |
|-----------------------|---------------------------|----------------------------------|----------------------------|---------------------|-------------|-------------------------------|-------------------|-----------------------------|
| DIN rail length in mm | max. fitting length in mm | Mounting plate (thickness in mm) | External mounting brackets | External hinge* set | EMC version | Self-adhesive rubber feet set | Silicone lid seal | Sealable lid screw in steel |
| TS 35 | | | • | • | • | • | • | • |
| 190 | 174 | 2 | • | • | • | • | • | • |

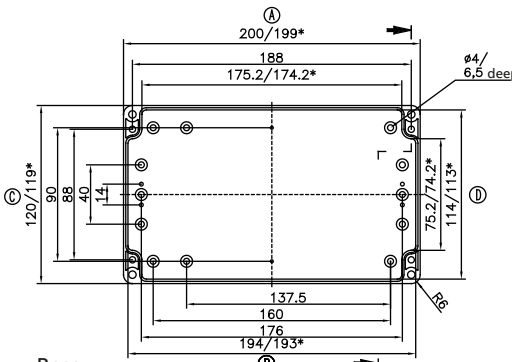
Maximum number of cable glands to DIN 50262*



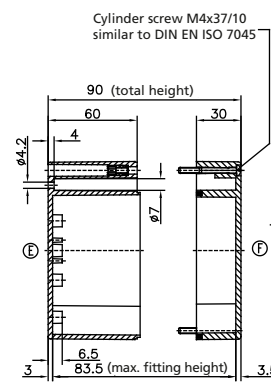
Lid



* = Conical form tapering downwards
Free dimensions-tolerance to DIN 16901 - 130



Base



| M | Corner dim. | Side | | PG | Corner dim. | Side | |
|----|-------------|------|-----|------|-------------|------|-----|
| | | A/B | C/D | | | A/B | C/D |
| 12 | 17,25 | 30 | 12 | 7 | 17,25 | 30 | 11 |
| 16 | 25,30 | 14 | 6 | 9 | 21,85 | 18 | 6 |
| 20 | 27,60 | 12 | 4 | 11 | 25,30 | 12 | 6 |
| 25 | 37,95 | 5 | 2 | 13,5 | 27,60 | 12 | 4 |
| 32 | 48,30 | 3 | 1 | 16 | 31,05 | 10 | 3 |
| 40 | 60,95 | | | 21 | 37,95 | 5 | 2 |
| 50 | 69,00 | | | 29 | 48,30 | 3 | 1 |
| 63 | 74,75 | | | 36 | 60,95 | | |
| | | | | 42 | 69,00 | | |
| | | | | 48 | 74,75 | | |

* Please quote mounting side

Type: . . . **12 24 10**

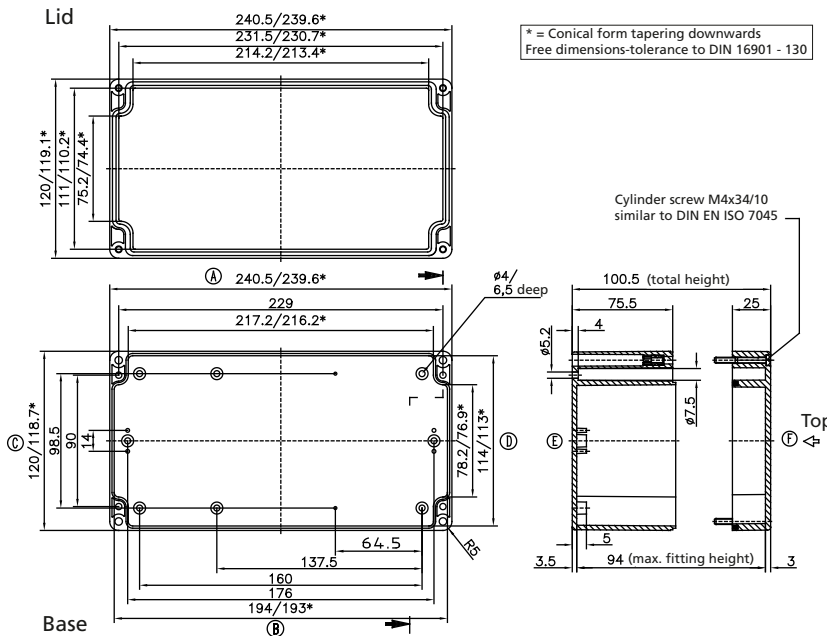
External dimensions: **120 x 240 x 100 mm**

Weight: **670 g**

| DIN rail length in mm | max. fitting length in mm | Mounting plate (thickness in mm) | External mounting brackets | External hinge* set | EMC version | Self-adhesive rubber feet set | Silicone lid seal | Sealable lid screw in steel |
|-----------------------|---------------------------|----------------------------------|----------------------------|---------------------|-------------|-------------------------------|-------------------|-----------------------------|
| TS 35 | | | | | | | | |
| 230 | 216 | 2 | • | • | • | • | • | |

Maximum number of cable glands to DIN 50262*

| M | Corner dim. | Side | | PG | Corner dim. | Side | |
|----|-------------|------|-----|------|-------------|------|-----|
| | | A/B | C/D | | | A/B | C/D |
| 12 | 17,25 | 48 | 16 | 7 | 17,25 | 48 | 16 |
| 16 | 25,30 | 24 | 8 | 9 | 21,85 | 30 | 9 |
| 20 | 27,60 | 17 | 5 | 11 | 25,30 | 21 | 6 |
| 25 | 37,95 | 10 | 3 | 13,5 | 27,60 | 17 | 5 |
| 32 | 48,30 | 5 | 1 | 16 | 31,05 | 14 | 5 |
| 40 | 60,95 | 3 | 1 | 21 | 37,95 | 9 | 3 |
| 50 | 69,00 | 3 | 1 | 29 | 48,30 | 5 | 1 |
| 63 | 74,75 | | | 36 | 60,95 | 3 | 1 |
| | | | | 42 | 69,00 | | |
| | | | | 48 | 74,75 | | |



Type: . . . **15 20 08**

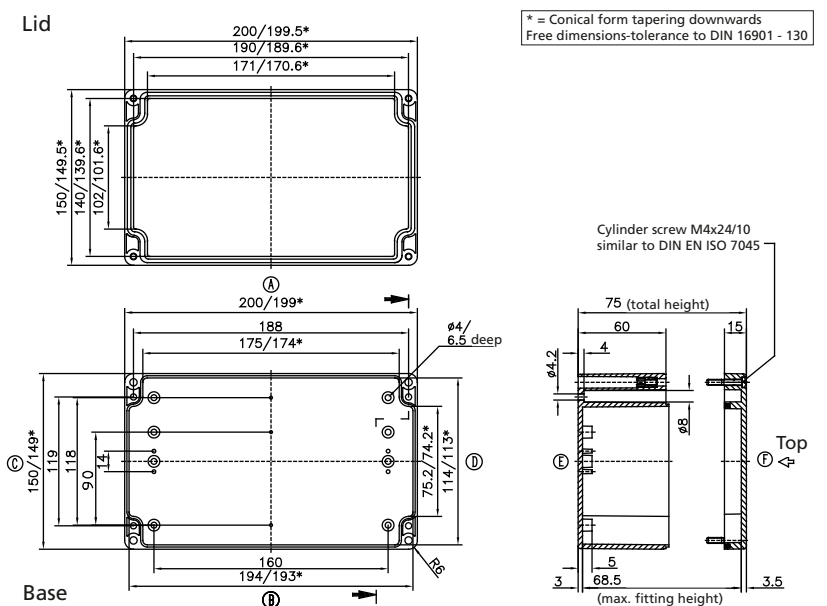
External dimensions: **150 x 200 x 75 mm**

Weight: **666 g**

| DIN rail length in mm | max. fitting length in mm | Mounting plate (thickness in mm) | External mounting brackets | External hinge* set | EMC version | Self-adhesive rubber feet set | Silicone lid seal | Sealable lid screw in steel |
|-----------------------|---------------------------|----------------------------------|----------------------------|---------------------|-------------|-------------------------------|-------------------|-----------------------------|
| TS 35 | | | | | | | | |
| 170 | 174 | 2 | • | • | • | • | • | • |

Maximum number of cable glands to DIN 50262*

| M | Corner dim. | Side | | PG | Corner dim. | Side | |
|----|-------------|------|-----|------|-------------|------|-----|
| | | A/B | C/D | | | A/B | C/D |
| 12 | 17,25 | 30 | 17 | 7 | 17,25 | 30 | 17 |
| 16 | 25,30 | 14 | 8 | 9 | 21,85 | 20 | 9 |
| 20 | 27,60 | 12 | 6 | 11 | 25,30 | 14 | 8 |
| 25 | 37,95 | 5 | 3 | 13,5 | 27,60 | 12 | 6 |
| 32 | 48,30 | 3 | 2 | 16 | 31,05 | 10 | 4 |
| 40 | 60,95 | | | 21 | 37,95 | 5 | 3 |
| 50 | 69,00 | | | 29 | 48,30 | 3 | 2 |
| 63 | 74,75 | | | 36 | 60,95 | | |
| | | | | 42 | 69,00 | | |
| | | | | 48 | 74,75 | | |



* Please quote mounting side

Type: . . .16 24 09

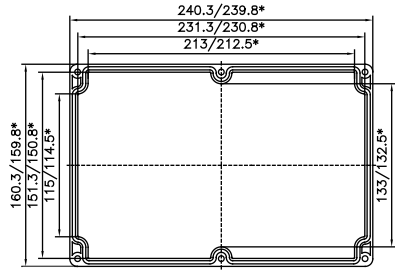
External dimensions: 160 x 240 x 90 mm

Weight: 830 g

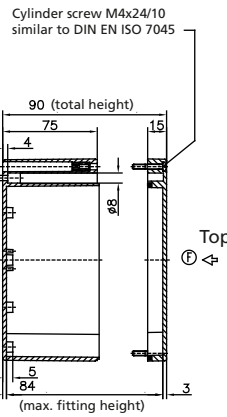
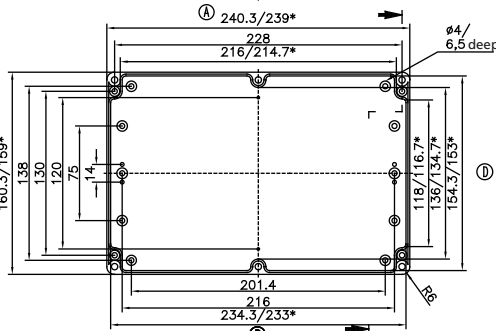
| | | | | | | | | |
|-----------------------|---------------------------|----------------------------------|----------------------------|---------------------|-------------|-------------------------------|-------------------|-----------------------------|
| DIN rail length in mm | max. fitting length in mm | Mounting plate (thickness in mm) | External mounting brackets | External hinge* set | EMC version | Self-adhesive rubber feet set | Silicone lid seal | Sealable lid screw in steel |
| TS 35 | | | | | | | | |
| 230 | 214 | 2,5 | • | • | • | • | • | • |

Maximum number of cable glands to DIN 50262*

Lid



* = Conical form tapering downwards
 Free dimensions-tolerance to DIN 16901 - 130



| M | Corner dim. | Side | | PG | Corner dim. | Side | |
|----|-------------|------|-----|------|-------------|------|-----|
| | | A/B | C/D | | | A/B | C/D |
| 12 | 17,25 | 40 | 26 | 7 | 17,25 | 40 | 26 |
| 16 | 25,30 | 18 | 11 | 9 | 21,85 | 24 | 15 |
| 20 | 27,60 | 12 | 8 | 11 | 25,30 | 16 | 11 |
| 25 | 37,95 | 8 | 4 | 13,5 | 27,60 | 12 | 8 |
| 32 | 48,30 | 4 | 2 | 16 | 31,05 | 12 | 8 |
| 40 | 60,95 | 2 | 2 | 21 | 37,95 | 6 | 4 |
| 50 | 69,00 | 2 | 1 | 29 | 48,30 | 4 | 2 |
| 63 | 74,75 | | | 36 | 60,95 | 2 | 2 |
| | | | | 42 | 69,00 | 2 | 1 |
| | | | | 48 | 74,75 | | |

Type: . . .16 24 12

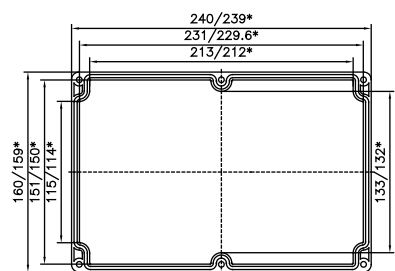
External dimensions: 160 x 240 x 120 mm

Weight: 970 g

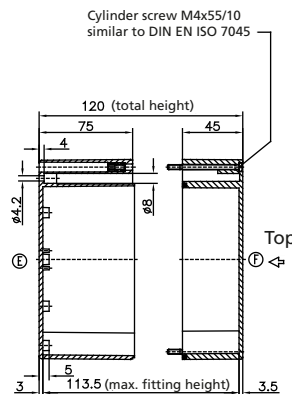
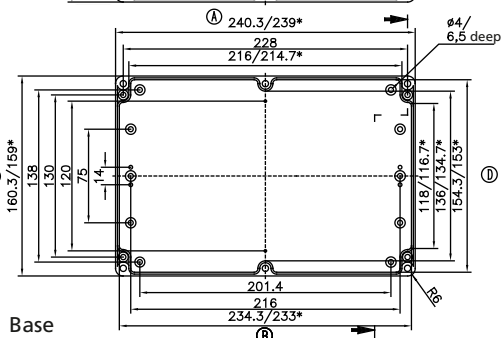
| | | | | | | | | |
|-----------------------|---------------------------|----------------------------------|----------------------------|---------------------|-------------|-------------------------------|-------------------|-----------------------------|
| DIN rail length in mm | max. fitting length in mm | Mounting plate (thickness in mm) | External mounting brackets | External hinge* set | EMC version | Self-adhesive rubber feet set | Silicone lid seal | Sealable lid screw in steel |
| TS 35 | | | | | | | | |
| 230 | 214 | 2,5 | • | • | • | • | • | • |

Maximum number of cable glands to DIN 50262*

Lid



* = Conical form tapering downwards
 Free dimensions-tolerance to DIN 16901 - 130



| M | Corner dim. | Side | | PG | Corner dim. | Side | |
|----|-------------|------|-----|------|-------------|------|-----|
| | | A/B | C/D | | | A/B | C/D |
| 12 | 17,25 | 40 | 26 | 7 | 17,25 | 40 | 26 |
| 16 | 25,30 | 22 | 12 | 9 | 21,85 | 24 | 15 |
| 20 | 27,60 | 16 | 9 | 11 | 25,30 | 18 | 12 |
| 25 | 37,95 | 8 | 5 | 13,5 | 27,60 | 16 | 9 |
| 32 | 48,30 | 4 | 3 | 16 | 31,05 | 12 | 8 |
| 40 | 60,95 | 2 | 2 | 21 | 37,95 | 8 | 5 |
| 50 | 69,00 | 2 | 1 | 29 | 48,30 | 4 | 2 |
| 63 | 74,75 | | | 36 | 60,95 | 2 | 2 |
| | | | | 42 | 69,00 | 2 | 1 |
| | | | | 48 | 74,75 | | |

* Please quote mounting side

Type: . . . **16 36 10**

External dimensions: **160 x 360 x 100 mm**

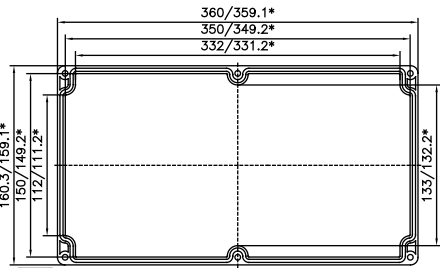
Weight: **1310 g**

| DIN rail length in mm | max. fitting length in mm | Mounting plate (thickness in mm) | External mounting brackets | External hinge* set | EMC version | Self-adhesive rubber feet set | Silicone lid seal | Sealable lid screw in steel |
|-----------------------|---------------------------|----------------------------------|----------------------------|---------------------|-------------|-------------------------------|-------------------|-----------------------------|
| TS 35 | | | | | | | | |
| 345 | 333 | 2,5 | • | • | • | • | • | |

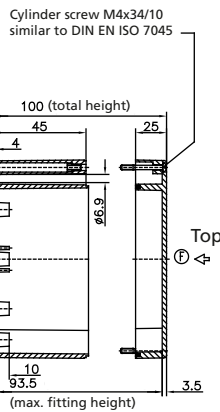
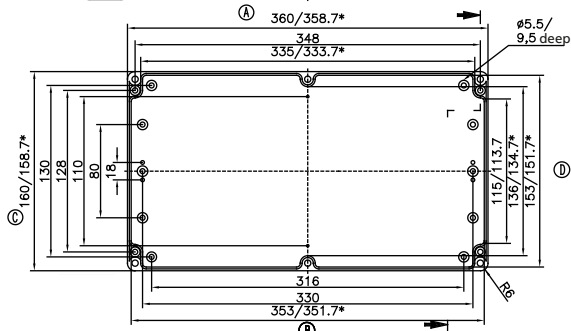
Maximum number of cable glands to DIN 50262*

| M | Corner dim. | Side | | PG | Corner dim. | Side | |
|----|-------------|------|-----|------|-------------|------|-----|
| | | A/B | C/D | | | A/B | C/D |
| 12 | 17,25 | 72 | 24 | 7 | 17,25 | 72 | 24 |
| 16 | 25,30 | 36 | 12 | 9 | 21,85 | 44 | 15 |
| 20 | 27,60 | 28 | 9 | 11 | 25,30 | 36 | 11 |
| 25 | 37,95 | 16 | 5 | 13,5 | 27,60 | 28 | 9 |
| 32 | 48,30 | 8 | 2 | 16 | 31,05 | 20 | 6 |
| 40 | 60,95 | 4 | 2 | 21 | 37,95 | 16 | 5 |
| 50 | 69,00 | 4 | 1 | 29 | 48,30 | 6 | 2 |
| 63 | 74,75 | 4 | | 36 | 60,95 | 4 | 2 |
| | | | | 42 | 69,00 | 4 | 1 |
| | | | | 48 | 74,75 | 4 | |

Lid



* = Conical form tapering downwards
Free dimensions-tolerance to DIN 16901 - 130



Base

Type: . . . **20 36 15**

External dimensions: **200 x 360 x 149 mm**

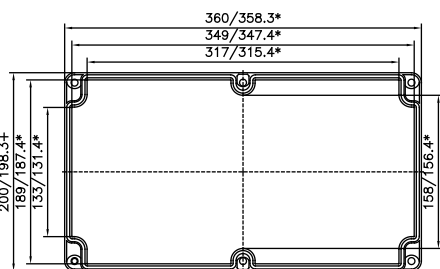
Weight: **2166 g**

| DIN rail length in mm | max. fitting length in mm | Mounting plate (thickness in mm) | External mounting brackets | External hinge* set | EMC version | Self-adhesive rubber feet set | Silicone lid seal | Sealable lid screw in steel |
|-----------------------|---------------------------|----------------------------------|----------------------------|---------------------|-------------|-------------------------------|-------------------|-----------------------------|
| TS 35 | | | | | | | | |
| 345 | 333 | 2,5 | | • | • | • | • | |

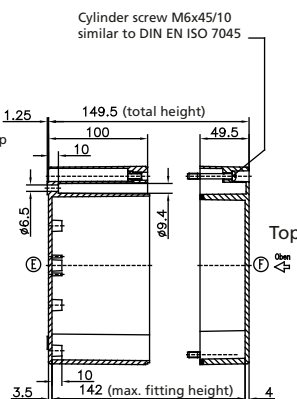
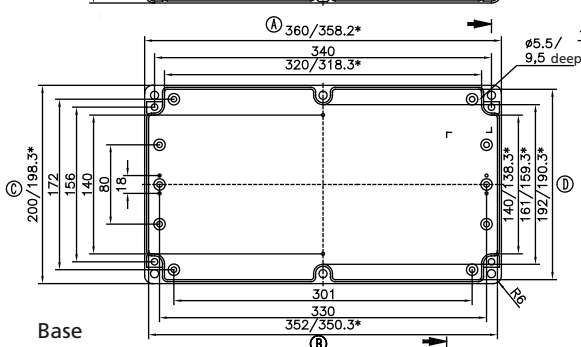
Maximum number of cable glands to DIN 50262*

| M | Corner dim. | Side | | PG | Corner dim. | Side | |
|----|-------------|------|-----|------|-------------|------|-----|
| | | A/B | C/D | | | A/B | C/D |
| 12 | 17,25 | 96 | 35 | 7 | 17,25 | 96 | 35 |
| 16 | 25,30 | 44 | 18 | 9 | 21,85 | 56 | 24 |
| 20 | 27,60 | 32 | 15 | 11 | 25,30 | 44 | 16 |
| 25 | 37,95 | 18 | 6 | 13,5 | 27,60 | 32 | 15 |
| 32 | 48,30 | 12 | 5 | 16 | 31,05 | 30 | 12 |
| 40 | 60,95 | 6 | 2 | 21 | 37,95 | 16 | 6 |
| 50 | 69,00 | 4 | 2 | 29 | 48,30 | 12 | 4 |
| 63 | 74,75 | 4 | 1 | 36 | 60,95 | 6 | 2 |
| | | | | 42 | 69,00 | 4 | 2 |
| | | | | 48 | 74,75 | 4 | 1 |

Lid



* = Conical form tapering downwards
Free dimensions-tolerance to DIN 16901 - 130



Base

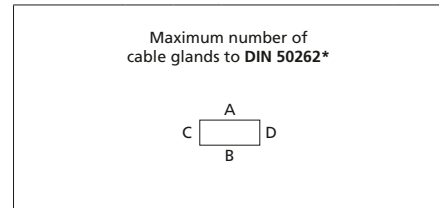
* Please quote mounting side

Type: **09.40 36 15**

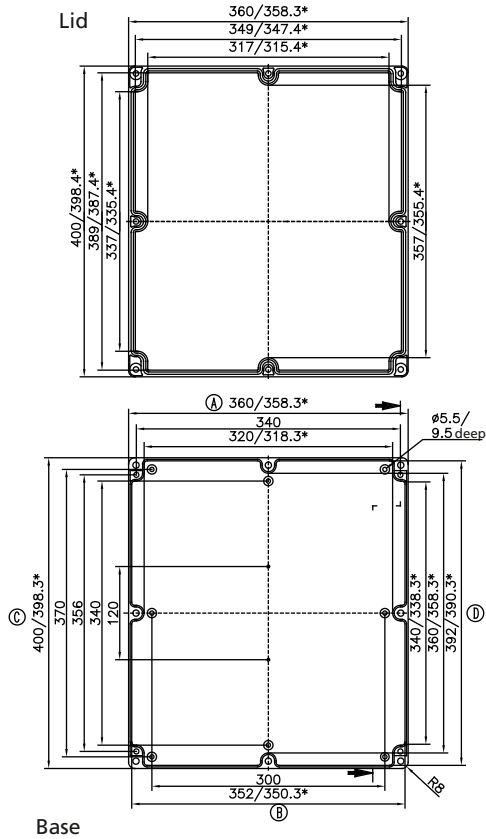
External dimensions: **400 x 360 x 150 mm**

Weight: **2470 g**

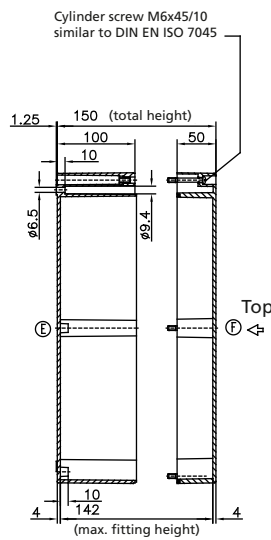
| | | | | | | | | |
|-----------------------|---------------------------|----------------------------------|----------------------------|---------------------|-------------|-------------------------------|-------------------|-----------------------------|
| DIN rail length in mm | max. fitting length in mm | Mounting plate (thickness in mm) | External mounting brackets | External hinge* set | EMC version | Self-adhesive rubber feet set | Silicone lid seal | Sealable lid screw in steel |
| TS 35 | | | | | | | | |
| 345 | 300 | 2,5 | | | • | • | • | |



| M | Corner dim. | Side | | PG | Corner dim. | Side | |
|----|-------------|------|-----|------|-------------|------|-----|
| | | A/B | C/D | | | A/B | C/D |
| 12 | 17,25 | 102 | 108 | 7 | 17,25 | 96 | 102 |
| 16 | 25,30 | 48 | 48 | 9 | 21,85 | 66 | 66 |
| 20 | 27,60 | 40 | 40 | 11 | 25,30 | 44 | 48 |
| 25 | 37,95 | 18 | 22 | 13,5 | 27,60 | 36 | 40 |
| 32 | 48,30 | 12 | 12 | 16 | 31,05 | 30 | 30 |
| 40 | 60,95 | 6 | 6 | 21 | 37,95 | 18 | 18 |
| 50 | 69,00 | 4 | 4 | 29 | 48,30 | 12 | 12 |
| 63 | 74,75 | 4 | 4 | 36 | 60,95 | 6 | 6 |
| | | | | 42 | 69,00 | 4 | 4 |
| | | | | 48 | 74,75 | 4 | 4 |



* = Conical form tapering downwards
Free dimensions-tolerance to DIN 16901 - 130



* Please quote mounting side

Polycarbonate flange



- Light plastic enclosure for industrial applications with flange pre-embossing
- Combination options with other polycarbonate flange enclosures
- Snap lock technology and flange quick-fixing-system
- Standard and transparent lid options

Technical data

Material:

Polycarbonate

Colour:

Enclosure: RAL 7032, pebble grey

Lid: transparent

Ingress protection:

IP 65 to EN 60529

Impact resistance:

7 Joule to EN 60079-0
(flange pre-embossing excepted)

Flammability:

enclosure: V0 / self-extinguishing, UL 94

transparent lid: V2 / UL 94

Insulation:

fully insulated to VDE 0100

Disruptive strength:

enclosure: >18 KV/mm, IEC 60243-1

transparent lid: >30 KV/mm, IEC 60243-1

Seal:

CR round seal

Toxicity:

low-halogen

Surface resistance:

>10¹⁵ Ohm, IEC 60093

Temperature range:

-40°C to +100°C (incl. seals)

Included in delivery

Complete closed enclosure body with flange break-out points, lid with plastic quick release fastener; 4 threaded inserts for internal fixing.