

Aluminium Standard

Product range

Bestell-Nr.	W x L x H (mm)	TDIN rails for terminals		Earth rail, clamps	Mounting plate, thickness in mm ¹⁾	External mounting brackets set ²⁾	External aluminium hinge pair ^{3), 4)}	Internal hinge pair ^{2), 4)}	Turn bolt fastener ⁴⁾
		TS 15	TS 35						
Standard enclosure									
01.05 05 03	45 x 50 x 30								
01.06 06 03	64 x 58 x 34								
01.06 10 03	64 x 98 x 34	•							
01.06 15 03	64 x 150 x 34	•							
01.06 19 03	64 x 185 x 34	•							
01.08 08 06	80 x 75 x 57	•			1,5	•			
01.08 13 06	80 x 125 x 57	•			1,5	•			
01.08 18 06	80 x 175 x 57	•			1,5	•			
01.08 25 05	80 x 250 x 52	•				•			
01.10 10 08	100 x 100 x 81	•			1,5	•	•		
01.10 16 08	100 x 160 x 81	•			1,5	•	•		
01.10 20 08	100 x 200 x 81	•			1,5	•	•		
01.12 12 08	120 x 122 x 81		•	6	1,5	•	•		
01.12 12 09	120 x 122 x 91		•	6	1,5	•	•		
01.12 22 08	120 x 220 x 81		•	13	1,5	•	•		
01.12 22 09	120 x 220 x 91		•	13	1,5	•	•		
01.12 22 12	120 x 220 x 118		•	13	1,5	•	•		
01.12 36 08	120 x 360 x 81		•	23	1,5	•	•		
01.14 14 09	140 x 140 x 91		•	6	1,5	•	•		
01.14 20 09	140 x 200 x 91		•	11	1,5	•	•		•
01.16 16 09	160 x 160 x 91		•	8	1,5	•	•	•	•
01.16 26 09	160 x 260 x 91		•	16	1,5	•	•	•	•
01.16 36 09	160 x 360 x 91		•	23	1,5	•	•	•	•
01.16 56 09	160 x 560 x 91		•	36	2,0	•	•	•	•
01.18 18 10	180 x 180 x 101		•	8	1,5	•	•	•	•
01.18 28 10	180 x 280 x 101		•	17	1,5	•	•	•	•
01.23 10 11	230 x 100 x 111		•	13	1,5	•	•	•	•
01.23 20 11	232 x 202 x 111		•	10	1,5	•	•	•	•
01.23 20 18	232 x 202 x 181		•	10	1,5	•	•	•	•
01.23 28 11	230 x 280 x 111		•	16	1,5	•	•	•	•
01.23 33 11	230 x 330 x 111		•	21	1,5	•	•	•	•
01.23 33 18	230 x 330 x 181		•	21	1,5	•	•	•	•
01.23 40 11	230 x 400 x 111		•	25	2	•	•	•	•
01.23 40 23	230 x 400 x 225		•	25	2	•	•	•	•
01.23 60 11	230 x 600 x 111		•	40	2	•	•	•	•
01.31 40 11	313 x 404 x 111		•	25	2	•	•	•	•
01.31 40 14	312 x 403 x 141		•	25	2	•	•	•	•
01.31 40 18	313 x 404 x 181		•	25	2	•	•	•	•
01.31 40 23	313 x 404 x 227		•	25	2	•	•	•	•
01.31 60 11	310 x 600 x 111		•	40	2	•	•	•	•
01.31 60 18	310 x 600 x 181		•	40	2	•	•	•	•
01.60 60 20	600 x 600 x 202		•		2,5				
Field enclosure with integrated external fastening									
01.06 12 00	64 x 115 x 34								
01.06 19 00	64 x 185 x 34								

¹⁾ galvanized sheet steel ²⁾ stainless steel ³⁾ diecast alu ⁴⁾ Please quote installation side A-D when ordering ⁵⁾ on request

Accessories

EMC screening (without type 01.60 60 20)

SWB/SBG/SBGL corrosion protection (RAL 5009)

Allen lid screws (without type 01.60 60 20)

Silicone lid seal up to +130°C

Sealable lid screws in steel (without type 01.60 60 20)

Aluminium Standard

Terminal mounting

	Phoenix												Earthing bar 2.5 mm ² with cable lug max. 10 mm ²	Earthing screw M4 with cable lug max. 6 mm ²	M6 with cable lug max. 35 mm ²	Earth connection as required	
	X	X															
DIN rail TS 15	X	X															
DIN rail TS 35			X	X	X	X	X	X	X	X	X	X	X				
Voltage (V)	500	500	1000	1000	1000	1000	1000	1000	1000	1000	1000	1000	1000				
Current (A)	24	32	24	32	41	57	76	125	150	232	309	415					
Nom. cross section (mm ²)	2,5	4	2,5	4	6	10	16	35	50	95	150	240					
Terminal width (mm)	5,2	6,2	5,2	6,2	8,2	10,2	12,2	16	20	25	31	36					
Terminal type																	
Type	MUT 2,5	MUT 4	UT 2,5	UT 4	UT 6	UT 10	UT 16	UT 35	UKH 50	UKH 95	UKH 150	UKH 240					
01.05 05 03																	
01.06 06 03																	1
01.06 10 03																	2
01.06 12 00																	2
01.06 15 03																	2
01.06 19 00																	2
01.06 19 03																	2
01.08 08 06	6	5															2
01.08 13 06	12	9															2
01.08 18 06	25	21															2
01.08 25 05	40	33															2
01.10 10 08	11	9	11	9	7												2
01.10 16 08	23	19	23	19	14												2
01.10 20 08	30	25	30	25	19												2
01.12 12 08			15	13	10	8	6							6			
01.12 12 09			15	13	10	8	6							6			4
01.12 22 08			34	29	21	17	14							13			4
01.12 22 09			34	29	21	17	14							13			4
01.12 22 12			34	29	21	17	14							13			4
01.12 36 08			61	51	39	31	26							23			4
01.14 14 09			19	16	12	9	8							6			4
01.14 20 09			30	25	19	15	13							11			4
01.16 16 09			23	19	14	11	9	7						8			4
01.16 26 09			42	35	26	21	18	14						16			4
01.16 26 16			42	35	26	21	18	14						16			4
01.16 36 09			61	51	39	31	26	21						23			4
01.16 56 09			100	83	63	50	42	34						36			4
01.18 18 10			26	22	17	13	11	9						8			4
01.18 28 10			46	38	29	23	19	15						17			4
01.23 10 11			36	30	23									13			4
01.23 20 11			62	52	38	15	13	10						10			4
01.23 20 18			62	52	38	15	13	10	8					10			4
01.23 28 11			92	76	58	46	19	15						16			4
01.23 33 11			110	92	70	56	23	19						21			4
01.23 33 18			110	92	70	56	23	19	14					21			4
01.23 40 11			138	116	86	70	29	23						25			4
01.23 40 23			138	116	86	70	29	23	18					25			4
01.23 60 11			214	180	136	54	45	36						40			4
01.31 40 11			210	174	132	70	58	23						25			4
01.31 40 14			210	174	132	70	58	23	18	14				25			4
01.31 40 18			210	174	132	70	58	23	18	14				25			4
01.31 40 23			210	174	132	70	58	23	18	14				25			4
01.31 60 11			321	270	204	108	90	36						40			4
01.31 60 18			321	270	204	108	90	36	28	22				40			4
01.60 60 20			428	360	204	162	135	108	56	22	18	15		40			4
Field enclosure with external fixing																	
01.06 12 00																	
01.06 19 00																	

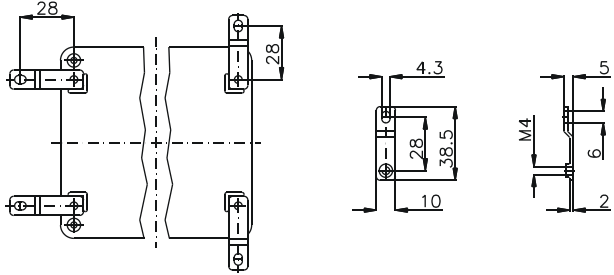
Accessories



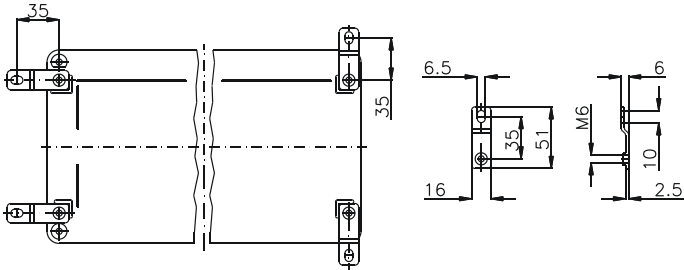
External brackets
set = 4 pcs

Order No.	for enclosure
10.03 11 01	01.08 08 06 - 01.10 20 08
10.03 11 02	01.12 12 08 - 01.31 60 18

Type 10.03 11 01

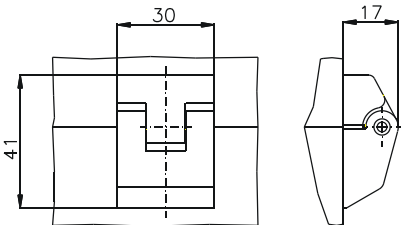


Type 10.03 11 02



External hinge
opening angle 150°
set = 2 pcs

Order No. **10.02 70 01**



Internal hinge
opening angle 95°
set = 2 pcs

Order No. **10.02 20 01**

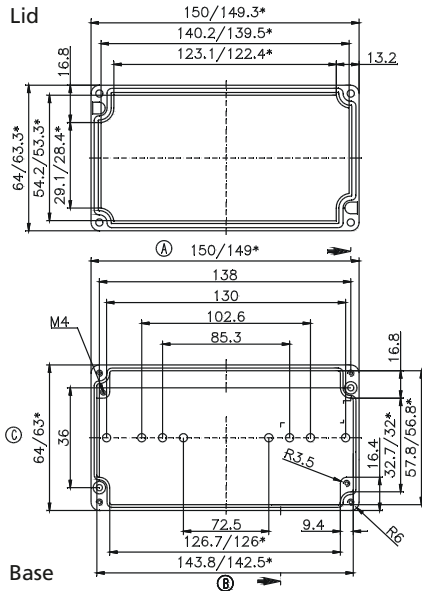
Type: **01.06 15 03**

External dimensions: **64 x 150 x 34 mm**

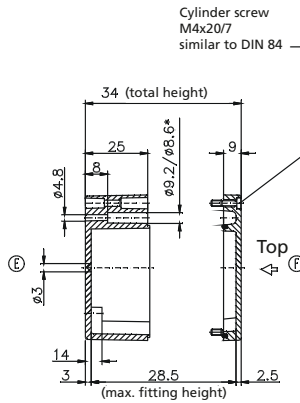
Weight: **316 g**

DIN rail length in mm	max. fitting length in mm	Earthing rail clamp	Mounting plate (thickness in mm)	External mounting brackets	External hinge* set	EMC version	Internal hinge* set	SWB / SBG / SBGL Cor.protection	Allen lid screws	Silicone lid seal	Sealable lid screws in steel	Turn bolt fastener
TS 15												
139						•		•	•	•	•	

Maximum number of cable glands to DIN 50262*



* = Conical form tapering downwards
Free dimensions-tolerance to GTA 13/5 DIN 1688



M	Corner dim.	Side		PG	Corner dim.	Side	
		A/B	C/D			A/B	C/D
12	17,25	8	1	7	17,25	8	1
16	25,30			9	21,85	6	1
20	27,60			11	25,30		
25	37,95			13,5	27,60		
32	48,30			16	31,05		
40	60,95			21	37,95		
50	69,00			29	48,30		
63	74,75			36	60,95		
				42	69,00		
				48	74,75		

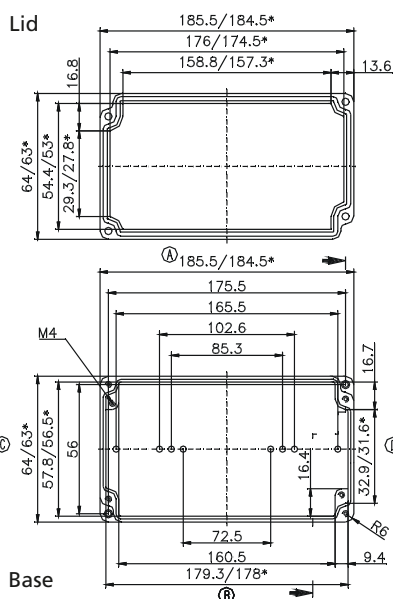
Type: **01.06 19 00**

External dimensions: **64 x 185 x 34 mm**

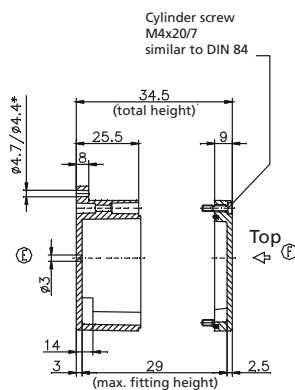
Weight: **420 g**

DIN rail length in mm	max. fitting length in mm	Earthing rail clamp	Mounting plate (thickness in mm)	External mounting brackets	External hinge* set	EMC version	Internal hinge* set	SWB / SBG / SBGL Cor.protection	Allen lid screws	Silicone lid seal	Sealable lid screws in steel	Turn bolt fastener
TS 15												
174						•		•	•	•	•	

Maximum number of cable glands to DIN 50262*



* = Conical form tapering downwards
Free dimensions-tolerance to GTA 13/5 DIN 1688



M	Corner dim.	Side		PG	Corner dim.	Side	
		A/B	C/D			A/B	C/D
12	17,25	10	1	7	17,25	10	1
16	25,30			9	21,85	7	1
20	27,60			11	25,30		
25	37,95			13,5	27,60		
32	48,30			16	31,05		
40	60,95			21	37,95		
50	69,00			29	48,30		
63	74,75			36	60,95		
				42	69,00		
				48	74,75		

Type: **01.06 19 03**

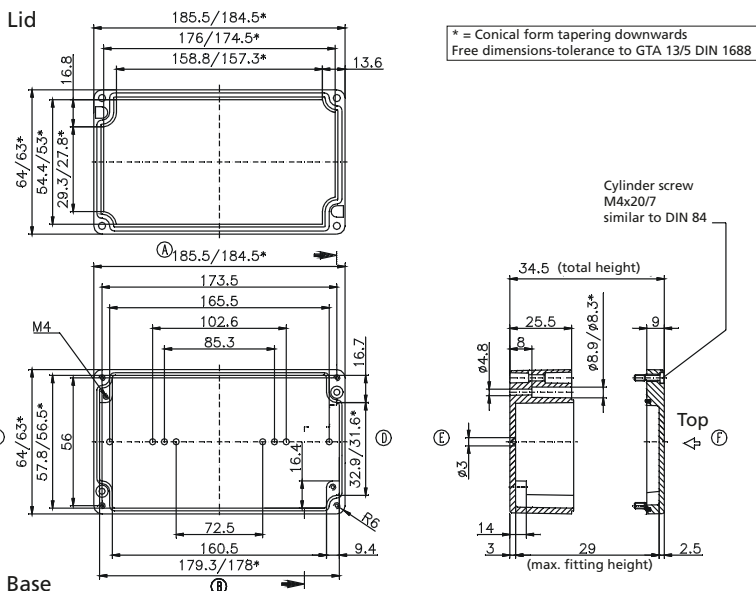
External dimensions: **64 x 185 x 34 mm**

Weight: **500 g**

DIN rail length in mm	max. fitting length in mm	Earthing rail clamp	Mounting plate (thickness in mm)	External mounting brackets	External hinge* set	EMC version	Internal hinge* set	SWB / SBG / SBGL Corr-protection	Allen lid screws	Silicone lid seal	Sealable lid screws in steel	Turn bolt fastener
TS 15												
174						•		•	•	•	•	

Maximum number of cable glands to DIN 50262*

M	Corner dim.	Side		PG	Corner dim.	Side	
		A/B	C/D			A/B	C/D
12	17,25	10		7	17,25	10	
16	25,30			9	21,85		
20	27,60			11	25,30		
25	37,95			13,5	27,60		
32	48,30			16	31,05		
40	60,95			21	37,95		
50	69,00			29	48,30		
63	74,75			36	60,95		
				42	69,00		
				48	74,75		



Type: **01.08 08 06**

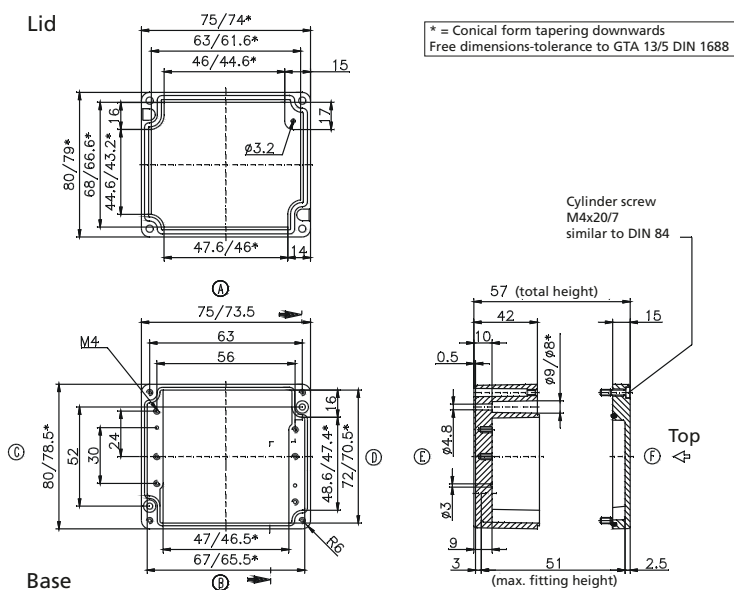
External dimensions: **80 x 75 x 57 mm**

Weight: **360 g**

DIN rail length in mm	max. fitting length in mm	Earthing rail clamp	Mounting plate (thickness in mm)	External mounting brackets	External hinge* set	EMC version	Internal hinge* set	SWB / SBG / SBGL Corr-protection	Allen lid screws	Silicone lid seal	Sealable lid screws in steel	Turn bolt fastener
TS 15												
63	46		1,5	•		•		•	•	•	•	

Maximum number of cable glands to DIN 50262*

M	Corner dim.	Side		PG	Corner dim.	Side	
		A/B	C/D			A/B	C/D
12	17,25	6	5	7	17,25	6	5
16	25,30	2	2	9	21,85	4	2
20	27,60	2	2	11	25,30	2	2
25	37,95	1		13,5	27,60	2	2
32	48,30			16	31,05	1	1
40	60,95			21	37,95	1	
50	69,00			29	48,30		
63	74,75			36	60,95		
				42	69,00		
				48	74,75		



* Please quote mounting side

Type: **01.08 25 05**

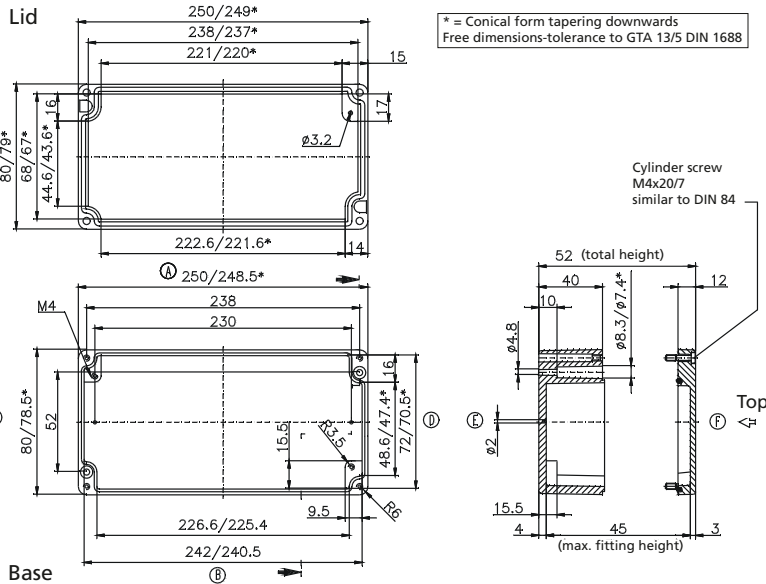
External dimensions: **80 x 250 x 52 mm**

Weight: **818 g**

DIN rail length in mm	max. fitting length in mm	Earthing rail clamp	Mounting plate (thickness in mm)	External mounting brackets	External hinge* set	EMC version	Internal hinge* set	SWB / SBG / SBGL Corr-protection	Allen lid screws	Silicone lid seal	Sealable lid screws in steel	Turn bolt fastener
TS 15												
238	220			•		•		•	•	•	•	

Maximum number of cable glands to DIN 50262*

M	Corner dim.	Side		PG	Corner dim.	Side	
		A/B	C/D			A/B	C/D
12	17,25	26	6	7	17,25	26	6
16	25,30	10	2	9	21,85	17	3
20	27,60	9	2	11	25,30	10	2
25	37,95	6	1	13,5	27,60	9	2
32	48,30			16	31,05	7	1
40	60,95			21	37,95	4	1
50	69,00			29	48,30		
63	74,75			36	60,95		
				42	69,00		
				48	74,75		



Type: **01.10 10 08**

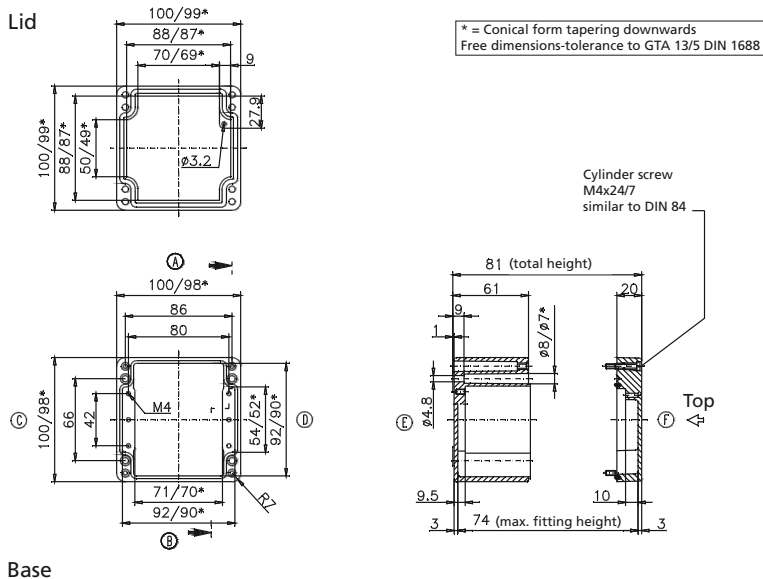
External dimensions: **100 x 100 x 81 mm**

Weight: **800 g**

DIN rail length in mm	max. fitting length in mm	Earthing rail clamp	Mounting plate (thickness in mm)	External mounting brackets	External hinge* set	EMC version	Internal hinge* set	SWB / SBG / SBGL Corr-protection	Allen lid screws	Silicone lid seal	Sealable lid screws in steel	Turn bolt fastener
TS 15												
87,5	70		1,5	•	•	•		•	•	•	•	

Maximum number of cable glands to DIN 50262*

M	Corner dim.	Side		PG	Corner dim.	Side	
		A/B	C/D			A/B	C/D
12	17,25	12	9	7	17,25	12	9
16	25,30	6	4	9	21,85	8	5
20	27,60	5	3	11	25,30	5	4
25	37,95	2	1	13,5	27,60	5	3
32	48,30	1	1	16	31,05	4	2
40	60,95			21	37,95	2	1
50	69,00			29	48,30	1	1
63	74,75			36	60,95		
				42	69,00		
				48	74,75		



* Please quote mounting side

Type: **01.12 12 08**

External dimensions: **120 x 122 x 81 mm**

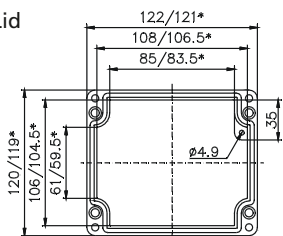
Weight: **1044 g**

DIN rail length in mm	max. fitting length in mm	Earthing rail clamp	Mounting plate (thickness in mm)	External mounting brackets	External hinge* set	EMC version	Internal hinge* set	SWB / SBG / SBGL Corr-protection	Allen lid screws	Silicone lid seal	Sealable lid screws in steel	Turn bolt fastener
TS 35												
107	85	6	1,5	•	•	•		•	•	•	•	

Maximum number of cable glands to DIN 50262*

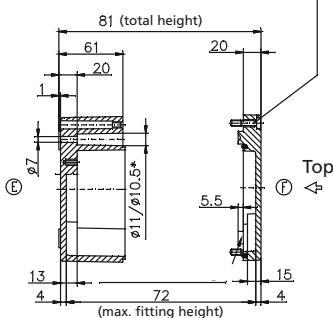
M	Corner dim.	Side		PG	Corner dim.	Side	
		A/B	C/D			A/B	C/D
12	17,25	16	11	7	17,25	16	11
16	25,30	8	5	9	21,85	11	6
20	27,60	6	4	11	25,30	6	4
25	37,95	3	2	13,5	27,60	6	3
32	48,30	2	1	16	31,05	5	2
40	60,95			21	37,95	2	2
50	69,00			29	48,30	2	1
63	74,75			36	60,95		
				42	69,00		
				48	74,75		

Lid

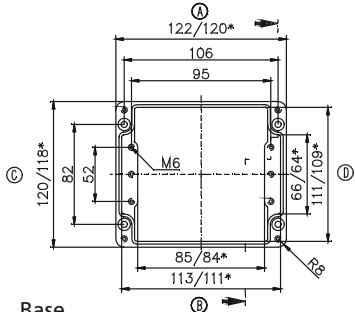


* = Conical form tapering downwards
Free dimensions-tolerance to GTA 13/5 DIN 1688

Cylinder screw M6x25/10 similar to DIN 84



Base



Type: **01.12 12 09**

External dimensions: **120 x 122 x 91 mm**

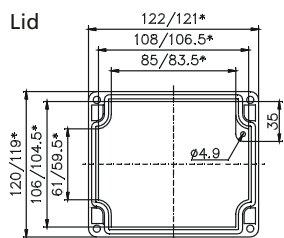
Weight: **1170 g**

DIN rail length in mm	max. fitting length in mm	Earthing rail clamp	Mounting plate (thickness in mm)	External mounting brackets	External hinge* set	EMC version	Internal hinge* set	SWB / SBG / SBGL Corr-protection	Allen lid screws	Silicone lid seal	Sealable lid screws in steel	Turn bolt fastener
TS 35												
107	85	6	1,5	•	•	•		•	•	•	•	

Maximum number of cable glands to DIN 50262*

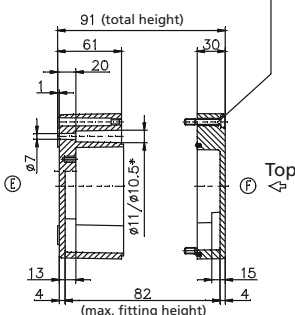
M	Corner dim.	Side		PG	Corner dim.	Side	
		A/B	C/D			A/B	C/D
12	17,25	16	11	7	17,25	16	11
16	25,30	8	5	9	21,85	11	6
20	27,60	6	4	11	25,30	6	4
25	37,95	3	2	13,5	27,60	6	3
32	48,30	2	1	16	31,05	5	2
40	60,95			21	37,95	2	2
50	69,00			29	48,30	2	1
63	74,75			36	60,95		
				42	69,00		
				48	74,75		

Lid

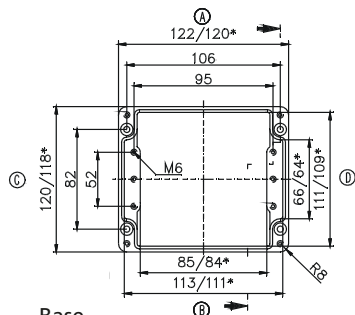


* = Conical form tapering downwards
Free dimensions-tolerance to GTA 13/5 DIN 1688

Cylinder screw M6x25/10 similar to DIN 84



Base



* Please quote mounting side

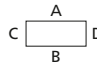
Type: **01.12 22 08**

External dimensions: **120 x 220 x 81 mm**

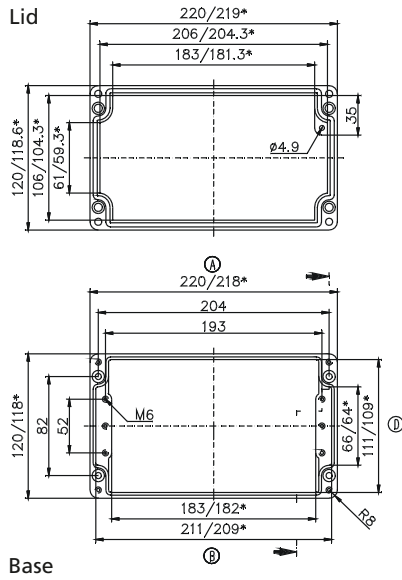
Weight: **1445 g**

DIN rail length in mm	max. fitting length in mm	Earthing rail clamp	Mounting plate (thickness in mm)	External mounting brackets	External hinge* set	EMC version	Internal hinge* set	SWB / SBG / SBGL Cor.protection	Allen lid screws	Silicone lid seal	Sealable lid screws in steel	Turn bolt fastener
TS 35												
205	183	13	1,5	•	•	•		•	•	•	•	

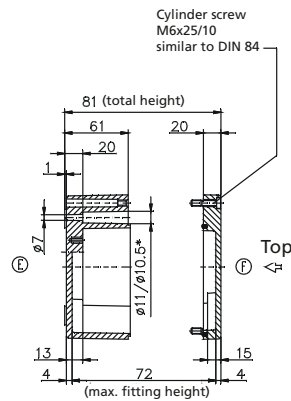
Maximum number of cable glands to DIN 50262*



M	Corner dim.	Side		PG	Corner dim.	Side	
		A/B	C/D			A/B	C/D
12	17,25	34	11	7	17,25	34	11
16	25,30	15	6	9	21,85	24	6
20	27,60	14	4	11	25,30	15	4
25	37,95	6	2	13,5	27,60	14	4
32	48,30	4	1	16	31,05	11	2
40	60,95			21	37,95	6	2
50	69,00			29	48,30	4	1
63	74,75			36	60,95		
				42	69,00		
				48	74,75		



* = Conical form tapering downwards
 Free dimensions-tolerance to GTA 13/5 DIN 1688



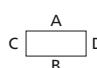
Type: **01.12 22 09**

External dimensions: **120 x 220 x 91 mm**

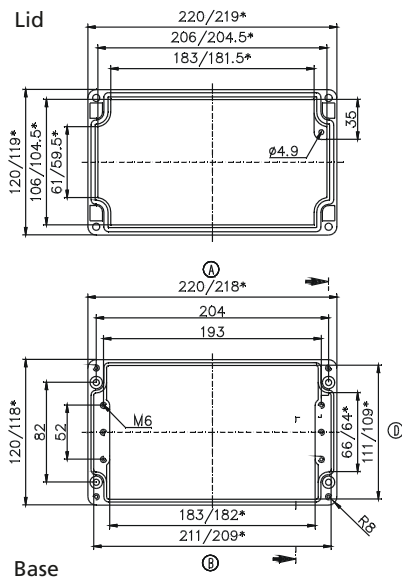
Weight: **1800 g**

DIN rail length in mm	max. fitting length in mm	Earthing rail clamp	Mounting plate (thickness in mm)	External mounting brackets	External hinge* set	EMC version	Internal hinge* set	SWB / SBG / SBGL Cor.protection	Allen lid screws	Silicone lid seal	Sealable lid screws in steel	Turn bolt fastener
TS 35												
205	183	13	1,5	•	•	•		•	•	•	•	

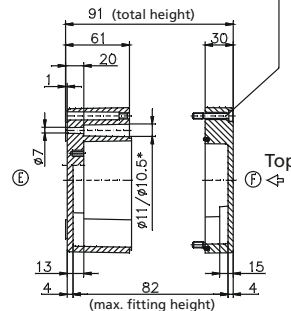
Maximum number of cable glands to DIN 50262*



M	Corner dim.	Side		PG	Corner dim.	Side	
		A/B	C/D			A/B	C/D
12	17,25	34	11	7	17,25	34	11
16	25,30	15	6	9	21,85	24	6
20	27,60	14	4	11	25,30	15	4
25	37,95	6	2	13,5	27,60	14	4
32	48,30	4	1	16	31,05	11	2
40	60,95			21	37,95	6	2
50	69,00			29	48,30	4	1
63	74,75			36	60,95		
				42	69,00		
				48	74,75		



* = Conical form tapering downwards
 Free dimensions-tolerance to GTA 13/5 DIN 1688



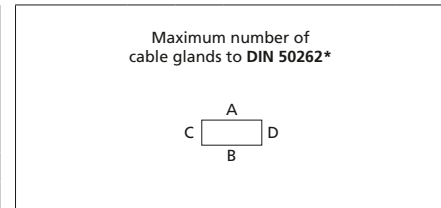
* Please quote mounting side

Type: **01.12 22 12**

External dimensions: **120 x 220 x 118 mm**

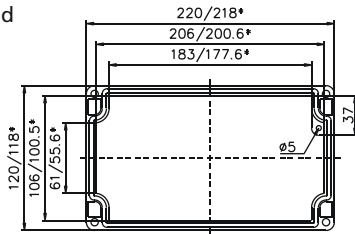
Weight: **1410 g**

DIN rail length in mm	max. fitting length in mm	Earthing rail clamp	Mounting plate (thickness in mm)	External mounting brackets	External hinge* set	EMC version	Internal hinge* set	SWB / SBG / SBGL Corr-protection	Allen lid screws	Silicone lid seal	Sealable lid screws in steel	Turn bolt fastener
TS 35												
208	183	13	1,5	•	•	•		•	•	•	•	



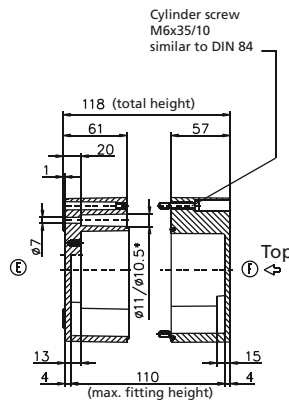
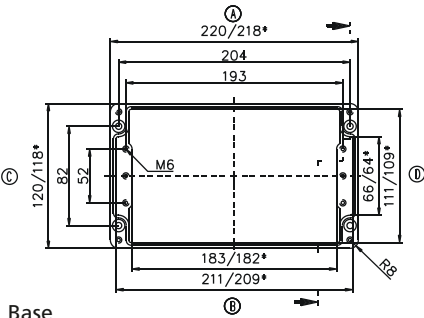
M	Corner dim.	Side		PG	Corner dim.	Side	
		A/B	C/D			A/B	C/D
12	17,25	34	11	7	17,25	34	11
16	25,30	15	6	9	21,85	24	6
20	27,60	14	4	11	25,30	15	4
25	37,95	6	2	13,5	27,60	14	4
32	48,30	4	1	16	31,05	11	2
40	60,95			21	37,95	6	2
50	69,00			29	48,30	4	1
63	74,75			36	60,95		
				42	69,00		
				48	74,75		

Lid



* = Conical form tapering downwards
Free dimensions-tolerance to GTA 13/5 DIN 1688

Base

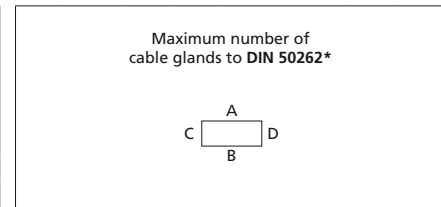


Type: **01.12 36 08**

External dimensions: **120 x 360 x 81 mm**

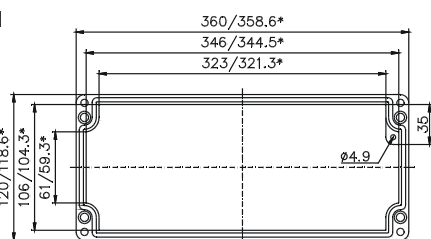
Weight: **2100 g**

DIN rail length in mm	max. fitting length in mm	Earthing rail clamp	Mounting plate (thickness in mm)	External mounting brackets	External hinge* set	EMC version	Internal hinge* set	SWB / SBG / SBGL Corr-protection	Allen lid screws	Silicone lid seal	Sealable lid screws in steel	Turn bolt fastener
TS 35												
343	323	23	1,5	•	•	•		•	•	•	•	•



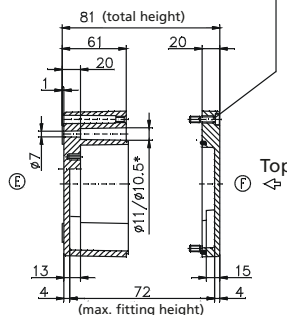
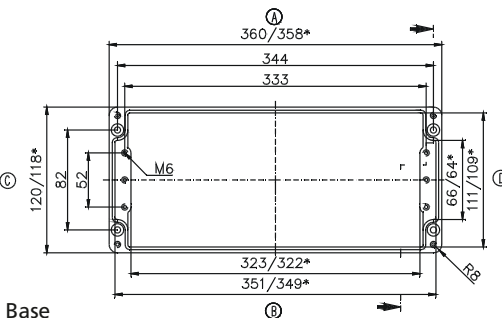
M	Corner dim.	Side		PG	Corner dim.	Side	
		A/B	C/D			A/B	C/D
12	17,25	58	11	7	17,25	58	11
16	25,30	26	5	9	21,85	41	6
20	27,60	24	4	11	25,30	26	4
25	37,95	10	2	13,5	27,60	24	3
32	48,30	7	1	16	31,05	20	2
40	60,95			21	37,95	10	2
50	69,00			29	48,30	7	1
63	74,75			36	60,95		
				42	69,00		
				48	74,75		

Lid



* = Conical form tapering downwards
Free dimensions-tolerance to GTA 13/5 DIN 1688

Base



* Please quote mounting side

Type: **01.16 16 09**

External dimensions: **160 x 160 x 91 mm**

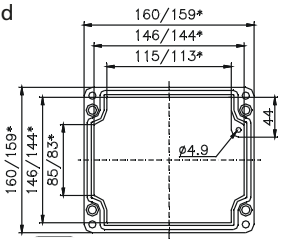
Weight: **1760 g**

DIN rail length in mm	max. fitting length in mm	Earthing rail clamp	Mounting plate (thickness in mm)	External mounting brackets	External hinge* set	EMC version	Internal hinge* set	SWB / SBG / SBGL Corr-protection	Allen lid screws	Silicone lid seal	Sealable lid screws in steel	Turn bolt fastener
TS 35												
144	120	8	1,5	•	•	•	•	•	•	•	•	•

Maximum number of cable glands to DIN 50262*

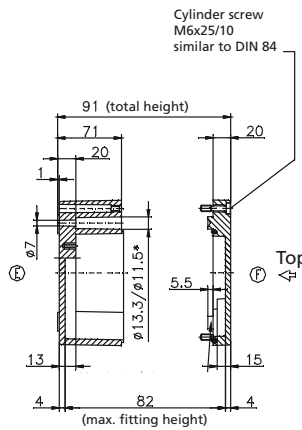
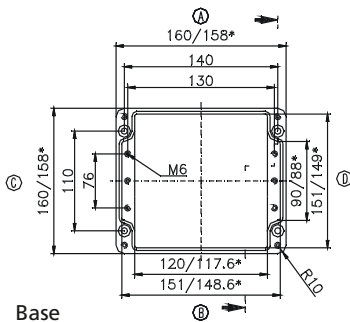
M	Corner dim.	Side		PG	Corner dim.	Side	
		A/B	C/D			A/B	C/D
12	17,25	26	16	7	17,25	26	16
16	25,30	12	8	9	21,85	15	11
20	27,60	9	6	11	25,30	12	6
25	37,95	5	3	13,5	27,60	9	6
32	48,30	3	2	16	31,05	8	5
40	60,95	2	1	21	37,95	5	3
50	69,00	2		29	48,30	2	2
63	74,75			36	60,95	2	1
				42	69,00	1	
				48	74,75		

Lid



* = Conical form tapering downwards
Free dimensions-tolerance to GTA 13/5 DIN 1688

Base



Type: **01.16 26 09**

External dimensions: **160 x 260 x 91 mm**

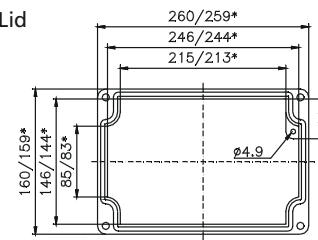
Weight: **2300 g**

DIN rail length in mm	max. fitting length in mm	Earthing rail clamp	Mounting plate (thickness in mm)	External mounting brackets	External hinge* set	EMC version	Internal hinge* set	SWB / SBG / SBGL Corr-protection	Allen lid screws	Silicone lid seal	Sealable lid screws in steel	Turn bolt fastener
TS 35												
245	220	16	1,5	•	•	•	•	•	•	•	•	•

Maximum number of cable glands to DIN 50262*

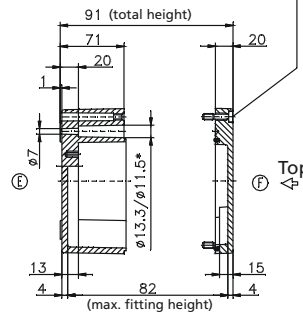
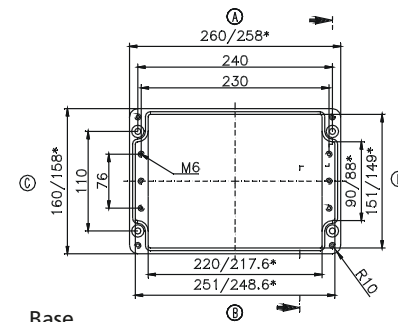
M	Corner dim.	Side		PG	Corner dim.	Side	
		A/B	C/D			A/B	C/D
12	17,25	50	16	7	17,25	50	16
16	25,30	24	8	9	21,85	30	11
20	27,60	17	6	11	25,30	23	6
25	37,95	10	3	13,5	27,60	17	6
32	48,30	5	2	16	31,05	14	5
40	60,95	3	1	21	37,95	9	3
50	69,00	3		29	48,30	5	2
63	74,75			36	60,95	3	1
				42	69,00	3	
				48	74,75		

Lid



* = Conical form tapering downwards
Free dimensions-tolerance to GTA 13/5 DIN 1688

Base



* Please quote mounting side

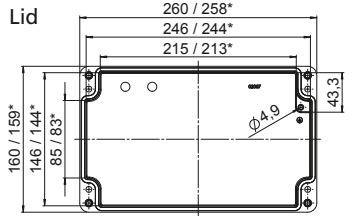
Type: **01.16 26 16**

External dimensions: **160 x 260 x 161 mm**

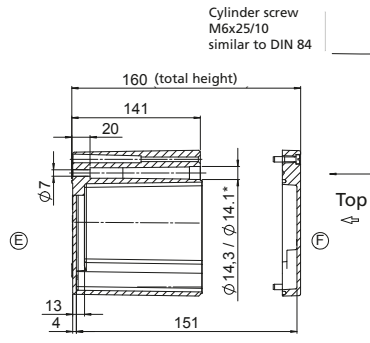
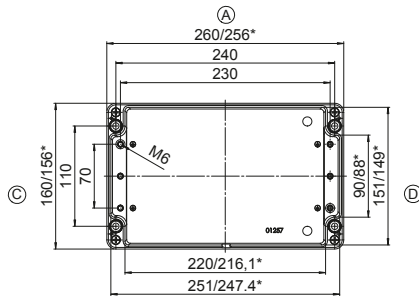
Weight: **2960 g**

DIN rail length in mm	max. fitting length in mm	Earthing rail clamp	Mounting plate (thickness in mm)	External mounting brackets	External hinge* set	EMC version	Internal hinge* set	SWB / SBG / SBGL Corr.protection	Allen lid screws	Silicone lid seal	Sealable lid screws in steel	Turn bolt fastener
TS 35												
245	220	16	1.5	•	•	•	•	•	•	•	•	•

Maximum number of cable glands to DIN 50262*



* = Conical form tapering downwards
Free dimensions-tolerance to GTA 13/5 DIN 1688



M	Corner dim.	Side		PG	Corner dim.	Side	
		A/B	C/D			A/B	C/D
12	17,25	96	40	7	17,25	96	36
16	25,30	48	18	9	21,85	67	24
20	27,60	40	15	11	25,30	48	15
25	37,95	22	8	13,5	27,60	40	15
32	48,30	12	5	16	31,05	33	12
40	60,95	6	3	21	37,95	20	6
50	69,00	6	2	29	48,30	12	5
63	74,75	5	1	36	60,95	6	2
				42	69,00	6	2
				48	74,75	5	1

* Please quote mounting side

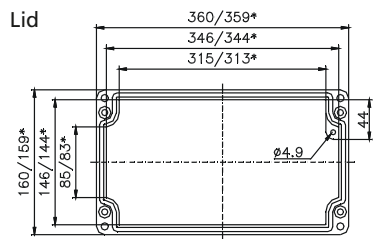
Type: **01.16 36 09**

External dimensions: **160 x 360 x 91 mm**

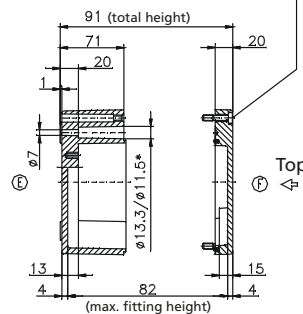
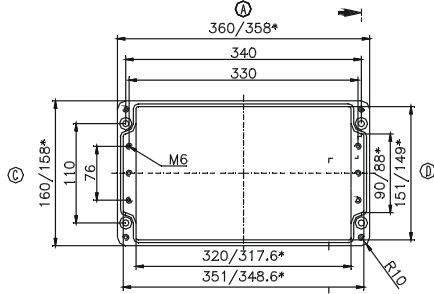
Weight: **2940 g**

DIN rail length in mm	max. fitting length in mm	Earthing rail clamp	Mounting plate (thickness in mm)	External mounting brackets	External hinge* set	EMC version	Internal hinge* set	SWB / SBG / SBGL Corr.protection	Allen lid screws	Silicone lid seal	Sealable lid screws in steel	Turn bolt fastener
TS 35												
343	320	23	1,5	•	•	•	•	•	•	•	•	•

Maximum number of cable glands to DIN 50262*



* = Conical form tapering downwards
Free dimensions-tolerance to GTA 13/5 DIN 1688



M	Corner dim.	Side		PG	Corner dim.	Side	
		A/B	C/D			A/B	C/D
12	17,25	72	16	7	17,25	72	16
16	25,30	36	8	9	21,85	42	11
20	27,60	24	6	11	25,30	33	6
25	37,95	15	3	13,5	27,60	24	6
32	48,30	7	2	16	31,05	20	5
40	60,95	5	1	21	37,95	14	3
50	69,00	4		29	48,30	7	2
63	74,75			36	60,95	5	1
				42	69,00	4	
				48	74,75		

* Please quote mounting side

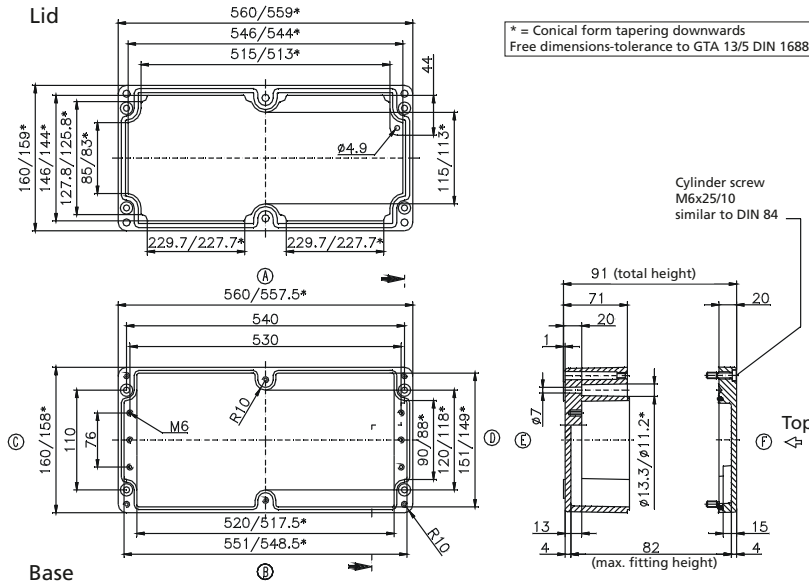
Type: **01.16 56 09**

External dimensions: **160 x 560 x 91 mm**

Weight: **4457 g**

DIN rail length in mm	max. fitting length in mm	Earthing rail clamp	Mounting plate (thickness in mm)	External mounting brackets	External hinge* set	EMC version	Internal hinge* set	SWB / SBG / SBGL Corr.protection	Allen lid screws	Silicone lid seal	Sealable lid screws in steel	Turn bolt fastener
TS 35												
543	520	36	2	•	•	•	•	•	•	•	•	•

Maximum number of cable glands to DIN 50262*



M	Corner dim.	Side		PG	Corner dim.	Side	
		A/B	C/D			A/B	C/D
12	17,25	104	16	7	17,25	104	16
16	25,30	58	8	9	21,85	66	11
20	27,60	40	6	11	25,30	58	6
25	37,95	24	3	13,5	27,60	40	6
32	48,30	12	2	16	31,05	32	5
40	60,95	8	1	21	37,95	24	3
50	69,00	6		29	48,30	12	2
63	74,75			36	60,95	8	1
				42	69,00	6	
				48	74,75		

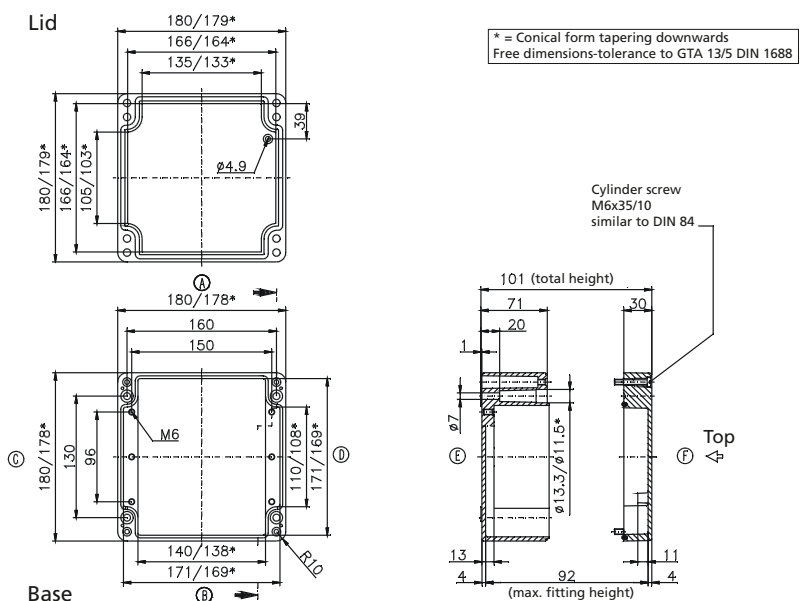
Type: **01.18 18 10**

External dimensions: **180 x 180 x 101 mm**

Weight: **2400 g**

DIN rail length in mm	max. fitting length in mm	Earthing rail clamp	Mounting plate (thickness in mm)	External mounting brackets	External hinge* set	EMC version	Internal hinge* set	SWB / SBG / SBGL Corr.protection	Allen lid screws	Silicone lid seal	Sealable lid screws in steel	Turn bolt fastener
TS 35												
166	140	8	1,5	•	•	•	•	•	•	•	•	•

Maximum number of cable glands to DIN 50262*



M	Corner dim.	Side		PG	Corner dim.	Side	
		A/B	C/D			A/B	C/D
12	17,25	30	20	7	17,25	28	20
16	25,30	15	9	9	21,85	18	14
20	27,60	11	8	11	25,30	15	8
25	37,95	6	3	13,5	27,60	11	8
32	48,30	3	2	16	31,05	8	6
40	60,95	2	2	21	37,95	6	3
50	69,00	2		29	48,30	3	2
63	74,75			36	60,95	2	2
				42	69,00	2	
				48	74,75		

* Please quote mounting side

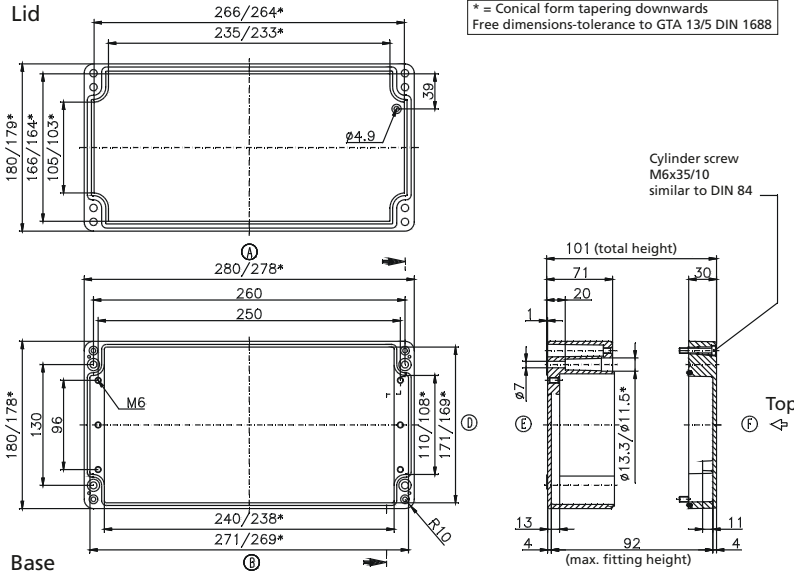
Type: **01.18 28 10**

External dimensions: **180 x 280 x 101 mm**

Weight: **3000 g**

DIN rail length in mm	max. fitting length in mm	Earthing rail clamp	Mounting plate (thickness in mm)	External mounting brackets	External hinge* set	EMC version	Internal hinge* set	SWB / SBG / SBGL Corr.protection	Allen lid screws	Silicone lid seal	Sealable lid screws in steel	Turn bolt fastener
TS 35												
264	240	17	1,5	•	•	•	•	•	•	•	•	•

Maximum number of cable glands to DIN 50262*



M	Corner dim.	Side		PG	Corner dim.	Side	
		A/B	C/D			A/B	C/D
12	17,25	52	22	7	17,25	52	22
16	25,30	26	10	9	21,85	33	15
20	27,60	18	8	11	25,30	23	10
25	37,95	11	4	13,5	27,60	18	8
32	48,30	5	2	16	31,05	14	7
40	60,95	4	2	21	37,95	10	4
50	69,00	3		29	48,30	5	2
63	74,75			36	60,95	4	2
				42	69,00	3	
				48	74,75		

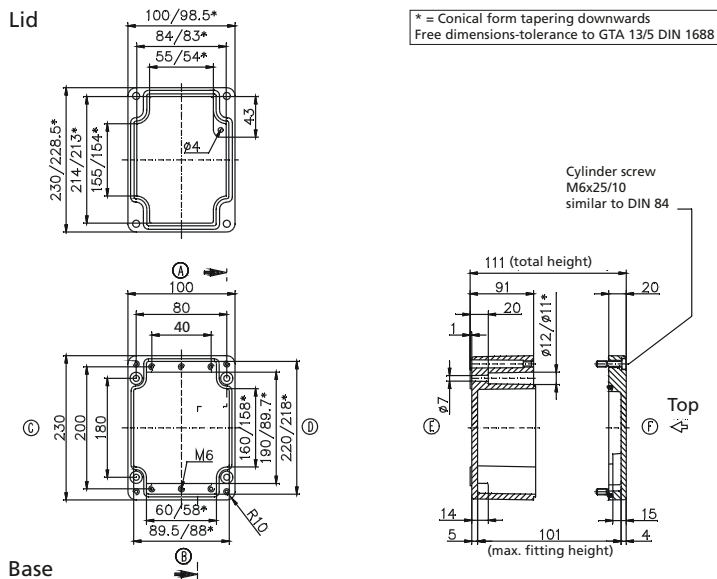
Type: **01.23 10 11**

External dimensions: **230 x 100 x 111 mm**

Weight: **2300 g**

DIN rail length in mm	max. fitting length in mm	Earthing rail clamp	Mounting plate (thickness in mm)	External mounting brackets	External hinge* set	EMC version	Internal hinge* set	SWB / SBG / SBGL Corr.protection	Allen lid screws	Silicone lid seal	Sealable lid screws in steel	Turn bolt fastener
TS 35												
214	190	13	1,5	•	•	•	•	•	•	•	•	•

Maximum number of cable glands to DIN 50262*



M	Corner dim.	Side		PG	Corner dim.	Side	
		A/B	C/D			A/B	C/D
12	17,25	15	45	7	17,25	15	45
16	25,30	8	18	9	21,85	10	28
20	27,60	6	17	11	25,30	6	18
25	37,95	3	8	13,5	27,60	6	17
32	48,30	2	5	16	31,05	5	12
40	60,95	1	3	21	37,95	3	8
50	69,00	1	2	29	48,30	1	4
63	74,75		2	36	60,95	1	3
				42	69,00	1	2
				48	74,75	1	2

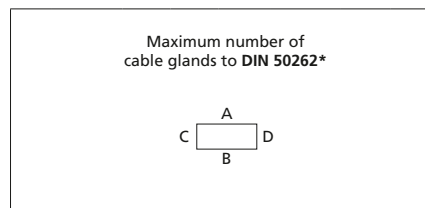
* Please quote mounting side

Type: **01.23 20 11**

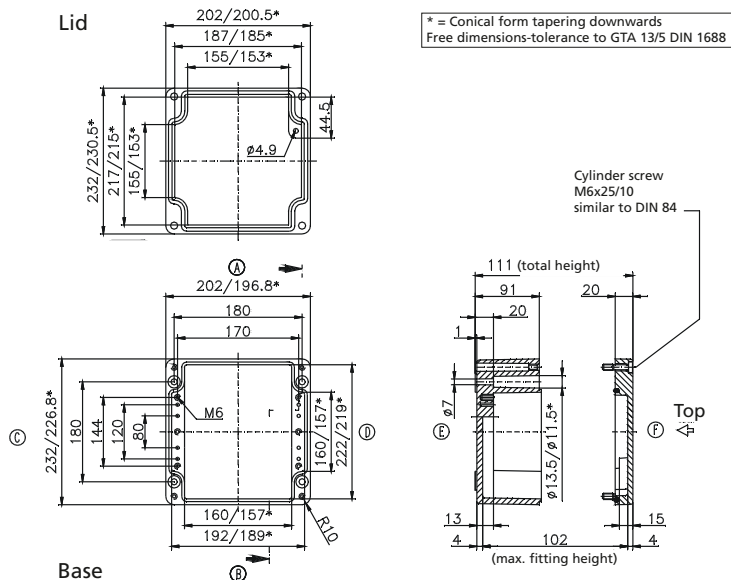
External dimensions: **232 x 202 x 111 mm**

Weight: **2880 g**

DIN rail length in mm	max. fitting length in mm	Earthing rail clamp	Mounting plate (thickness in mm)	External mounting brackets	External hinge* set	EMC version	Internal hinge* set	SWB / SBG / SBGL Corr.protection	Allen lid screws	Silicone lid seal	Sealable lid screws in steel	Turn bolt fastener
TS 35												
186	160	10	1,5	•	•	•	•	•	•	•	•	•



M	Corner dim.	Side		PG	Corner dim.	Side	
		A/B	C/D			A/B	C/D
12	17,25	45	45	7	17,25	45	45
16	25,30	22	18	9	21,85	28	28
20	27,60	18	17	11	25,30	20	18
25	37,95	8	8	13,5	27,60	18	17
32	48,30	6	5	16	31,05	15	12
40	60,95	3	3	21	37,95	8	8
50	69,00	2	2	29	48,30	5	4
63	74,75	2	2	36	60,95	3	3
				42	69,00	2	2
				48	74,75	2	2

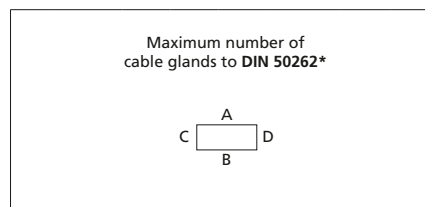


Type: **01.23 20 18**

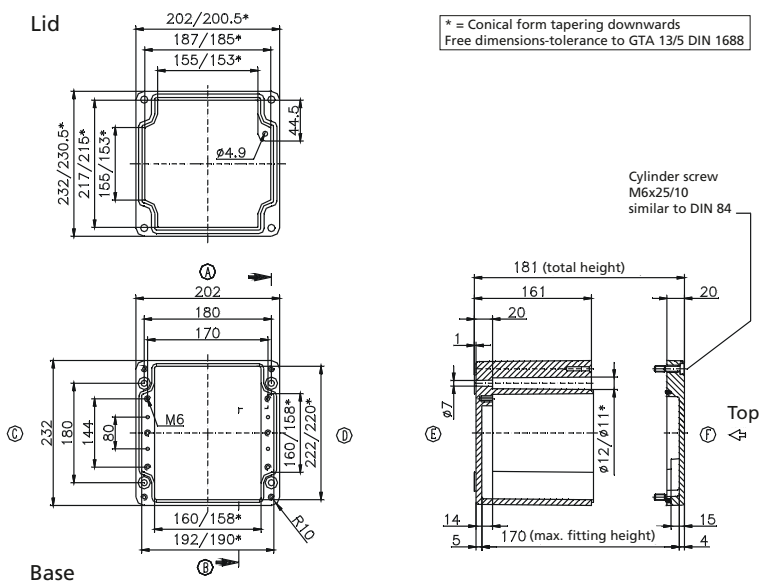
External dimensions: **232 x 202 x 181 mm**

Weight: **4600 g**

DIN rail length in mm	max. fitting length in mm	Earthing rail clamp	Mounting plate (thickness in mm)	External mounting brackets	External hinge* set	EMC version	Internal hinge* set	SWB / SBG / SBGL Corr.protection	Allen lid screws	Silicone lid seal	Sealable lid screws in steel	Turn bolt fastener
TS 35												
186	160	10	1,5	•	•	•	•	•	•	•	•	•



M	Corner dim.	Side		PG	Corner dim.	Side	
		A/B	C/D			A/B	C/D
12	17,25	90	81	7	17,25	90	81
16	25,30	42	36	9	21,85	56	49
20	27,60	33	33	11	25,30	42	36
25	37,95	18	16	13,5	27,60	33	33
32	48,30	10	9	16	31,05	25	25
40	60,95	6	6	21	37,95	16	16
50	69,00	5	5	29	48,30	10	9
63	74,75	4	4	36	60,95	6	5
				42	69,00	5	4
				48	74,75	4	4



* Please quote mounting side

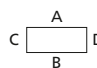
Type: **01.23 28 11**

External dimensions: **230 x 280 x 111 mm**

Weight: **3460 g**

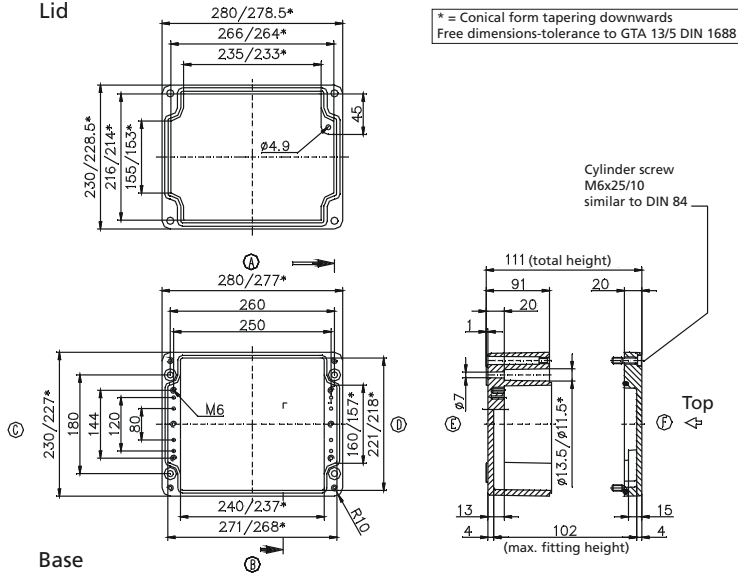
DIN rail length in mm	max. fitting length in mm	Earthing rail clamp	Mounting plate (thickness in mm)	External mounting brackets	External hinge* set	EMC version	Internal hinge* set	SWB / SBG / SBGL Corr.protection	Allen lid screws	Silicone lid seal	Sealable lid screws in steel	Turn bolt fastener
TS 35												
264	240	16	1,5	•	•	•	•	•	•	•	•	•

Maximum number of cable glands to **DIN 50262***



M	Corner dim.	Side		PG	Corner dim.	Side	
		A/B	C/D			A/B	C/D
12	17,25	70	45	7	17,25	68	45
16	25,30	32	18	9	21,85	44	28
20	27,60	24	17	11	25,30	32	18
25	37,95	12	8	13,5	27,60	24	17
32	48,30	9	5	16	31,05	21	12
40	60,95	4	3	21	37,95	12	8
50	69,00	3	2	29	48,30	9	4
63	74,75	3	2	36	60,95	4	3
				42	69,00	3	2
				48	74,75	3	2

Lid



Base

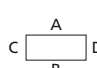
Type: **01.23 33 11**

External dimensions: **230 x 330 x 111 mm**

Weight: **3500 g**

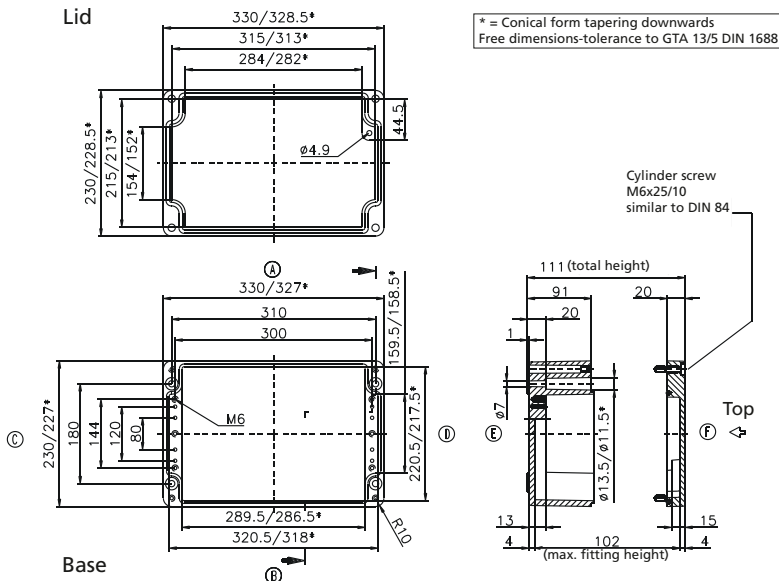
DIN rail length in mm	max. fitting length in mm	Earthing rail clamp	Mounting plate (thickness in mm)	External mounting brackets	External hinge* set	EMC version	Internal hinge* set	SWB / SBG / SBGL Corr.protection	Allen lid screws	Silicone lid seal	Sealable lid screws in steel	Turn bolt fastener
TS 35												
314	290	21	1,5	•	•	•	•	•	•	•	•	•

Maximum number of cable glands to **DIN 50262***



M	Corner dim.	Side		PG	Corner dim.	Side	
		A/B	C/D			A/B	C/D
12	17,25	84	45	7	17,25	81	45
16	25,30	42	18	9	21,85	52	28
20	27,60	30	17	11	25,30	38	18
25	37,95	15	8	13,5	27,60	30	17
32	48,30	11	5	16	31,05	27	12
40	60,95	5	3	21	37,95	15	8
50	69,00	4	2	29	48,30	11	4
63	74,75	4	2	36	60,95	5	3
				42	69,00	4	2
				48	74,75	4	2

Lid



Base

* Please quote mounting side

Type: **01.23 33 18**

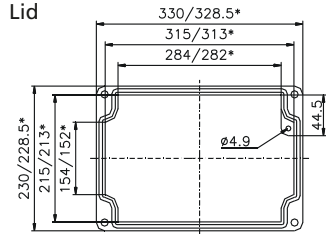
External dimensions: **230 x 330 x 181 mm**

Weight: **6400 g**

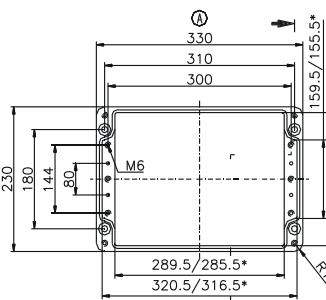
DIN rail length in mm	max. fitting length in mm	Earthing rail clamp	Mounting plate (thickness in mm)	External mounting brackets	External hinge* set	EMC version	Internal hinge* set	SWB / SBG / SBGL Corr.protection	Allen lid screws	Silicone lid seal	Sealable lid screws in steel	Turn bolt fastener
TS 35												
314	290	21	1,5	•	•	•	•	•	•	•	•	•

Maximum number of cable glands to DIN 50262*

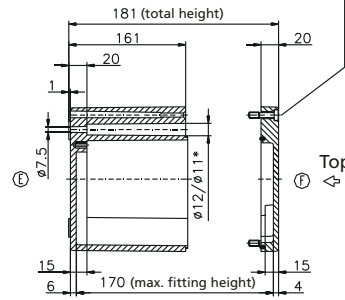
Lid



* = Conical form tapering downwards
Free dimensions-tolerance to GTA 13/5 DIN 1688



Base



M	Corner dim.	Side		PG	Corner dim.	Side	
		A/B	C/D			A/B	C/D
12	17,25	165	81	7	17,25	144	81
16	25,30	77	36	9	21,85	104	49
20	27,60	60	33	11	25,30	77	36
25	37,95	30	16	13,5	27,60	60	33
32	48,30	18	9	16	31,05	45	25
40	60,95	11	6	21	37,95	30	16
50	69,00	8	5	29	48,30	18	9
63	74,75	8	4	36	60,95	11	5
				42	69,00	8	4
				48	74,75	8	4

Type: **01.23 40 11**

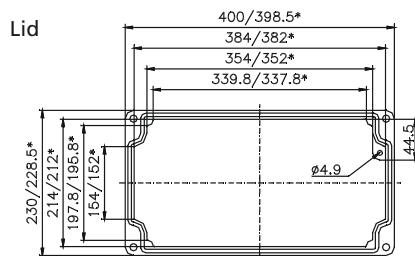
External dimensions: **230 x 400 x 111 mm**

Weight: **4833 g**

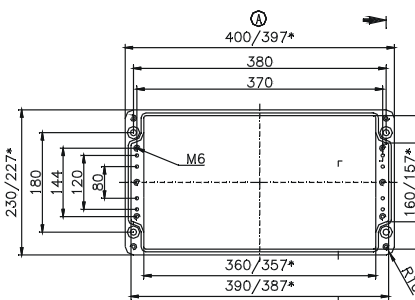
DIN rail length in mm	max. fitting length in mm	Earthing rail clamp	Mounting plate (thickness in mm)	External mounting brackets	External hinge* set	EMC version	Internal hinge* set	SWB / SBG / SBGL Corr.protection	Allen lid screws	Silicone lid seal	Sealable lid screws in steel	Turn bolt fastener
TS 35												
381	360	25	2	•	•	•	•	•	•	•	•	•

Maximum number of cable glands to DIN 50262*

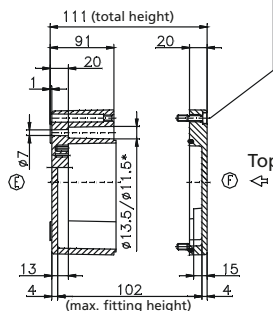
Lid



* = Conical form tapering downwards
Free dimensions-tolerance to GTA 13/5 DIN 1688



Base



M	Corner dim.	Side		PG	Corner dim.	Side	
		A/B	C/D			A/B	C/D
12	17,25	103	45	7	17,25	103	45
16	25,30	50	18	9	21,85	64	28
20	27,60	39	17	11	25,30	46	18
25	37,95	20	8	13,5	27,60	39	17
32	48,30	14	5	16	31,05	33	12
40	60,95	6	3	21	37,95	18	8
50	69,00	5	2	29	48,30	13	4
63	74,75	5	2	36	60,95	6	3
				42	69,00	5	2
				48	74,75	5	2

* Please quote mounting side

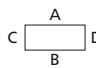
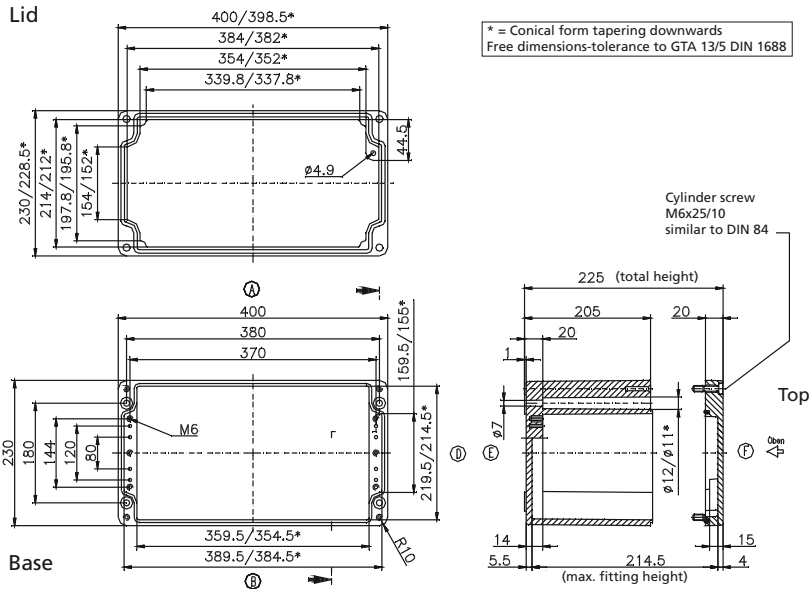
Type: **01.23 40 23**

External dimensions: **230 x 400 x 225 mm**

Weight: **8300 g**

DIN rail length in mm	max. fitting length in mm	Earthing rail clamp	Mounting plate (thickness in mm)	External mounting brackets	External hinge* set	EMC version	Internal hinge* set	SWB / SBG / SBGL Corr.protection	Allen lid screws	Silicone lid seal	Sealable lid screws in steel	Turn bolt fastener
TS 35												
381	360	25	2	•	•	•	•	•	•	•	•	•

Maximum number of cable glands to DIN 50262*

M	Corner dim.	Side		PG	Corner dim.	Side	
		A/B	C/D			A/B	C/D
12	17,25	240	108	7	17,25	240	108
16	25,30	122	48	9	21,85	160	63
20	27,60	100	44	11	25,30	112	48
25	37,95	54	21	13,5	27,60	100	44
32	48,30	30	13	16	31,05	77	35
40	60,95	18	9	21	37,95	54	21
50	69,00	15	6	29	48,30	30	13
63	74,75	12	5	36	60,95	18	6
				42	69,00	15	6
				48	74,75	12	5

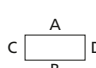
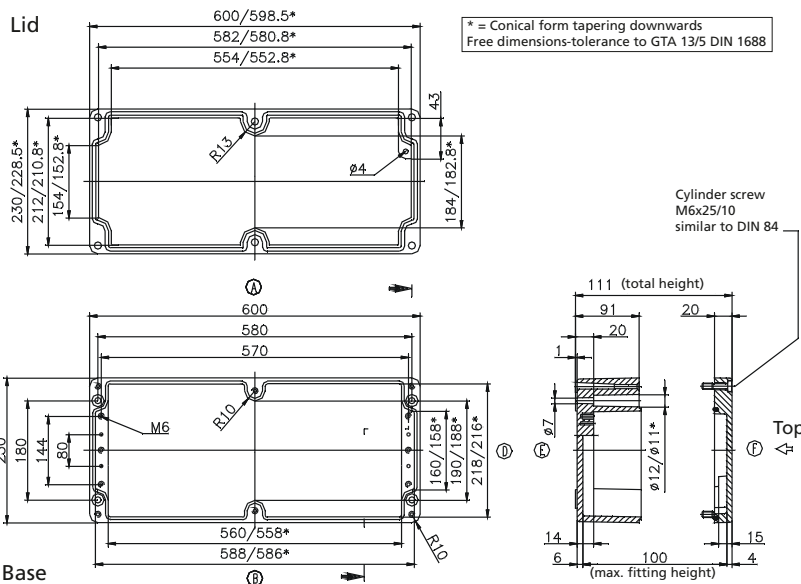
Type: **01.23 60 11**

External dimensions: **230 x 600 x 111 mm**

Weight: **8700 g**

DIN rail length in mm	max. fitting length in mm	Earthing rail clamp	Mounting plate (thickness in mm)	External mounting brackets	External hinge* set	EMC version	Internal hinge* set	SWB / SBG / SBGL Corr.protection	Allen lid screws	Silicone lid seal	Sealable lid screws in steel	Turn bolt fastener
TS 35												
581	560	40	2	•	•	•	•	•	•	•	•	•

Maximum number of cable glands to DIN 50262*

M	Corner dim.	Side		PG	Corner dim.	Side	
		A/B	C/D			A/B	C/D
12	17,25	150	43	7	17,25	150	43
16	25,30	72	18	9	21,85	96	28
20	27,60	54	17	11	25,30	68	18
25	37,95	28	8	13,5	27,60	54	15
32	48,30	20	4	16	31,05	28	12
40	60,95	10	3	21	37,95	28	8
50	69,00	8	2	29	48,30	20	4
63	74,75	6	2	36	60,95	10	2
				42	69,00	8	2
				48	74,75	6	2

* Please quote mounting side

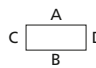
Type: **01.31 40 18**

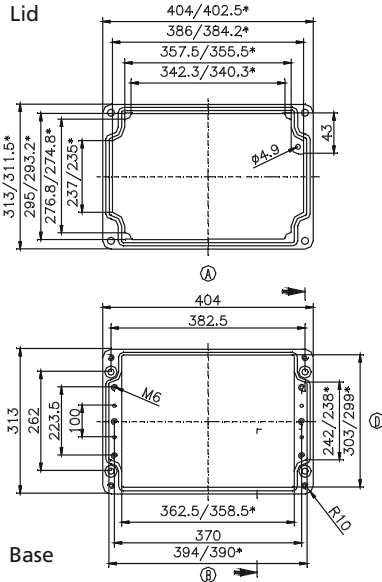
External dimensions: **313 x 404 x 181 mm**

Weight: **9780 g**

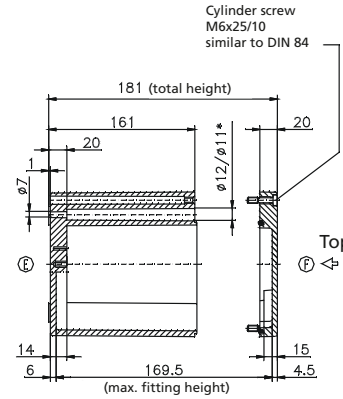
DIN rail length in mm	max. fitting length in mm	Earthing rail clamp	Mounting plate (thickness in mm)	External mounting brackets	External hinge* set	EMC version	Internal hinge* set	SWB / SBG / SBGL Corr.protection	Allen lid screws	Silicone lid seal	Sealable lid screws in steel	Turn bolt fastener
TS 35												
381	360	25	2	•	•	•	•	•	•	•	•	•

Maximum number of cable glands to DIN 50262*





* = Conical form tapering downwards
Free dimensions-tolerance to GTA 13/5 DIN 1688



M	Corner dim.	Side		PG	Corner dim.	Side	
		A/B	C/D			A/B	C/D
12	17,25	205	122	7	17,25	205	122
16	25,30	98	54	9	21,85	128	77
20	27,60	78	51	11	25,30	98	54
25	37,95	40	24	13,5	27,60	75	48
32	48,30	22	15	16	31,05	60	38
40	60,95	15	9	21	37,95	38	24
50	69,00	11	6	29	48,30	22	15
63	74,75	8	6	36	60,95	14	8
				42	69,00	10	6
				48	74,75	10	6

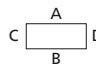
Type: **01.31 40 23**

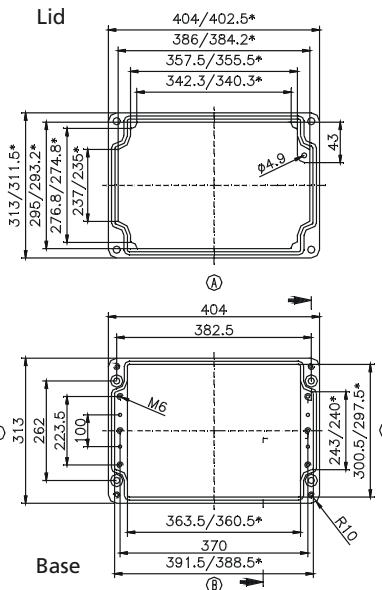
External dimensions: **313 x 404 x 227 mm**

Weight: **11000 g**

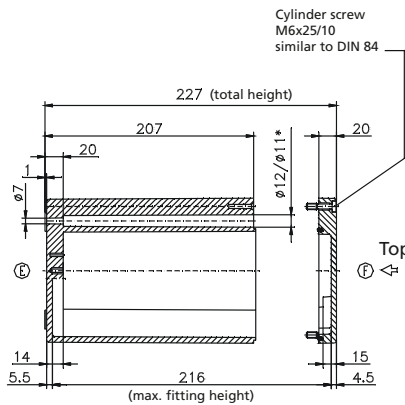
DIN rail length in mm	max. fitting length in mm	Earthing rail clamp	Mounting plate (thickness in mm)	External mounting brackets	External hinge* set	EMC version	Internal hinge* set	SWB / SBG / SBGL Corr.protection	Allen lid screws	Silicone lid seal	Sealable lid screws in steel	Turn bolt fastener
TS 35												
381	360	25	2	•	•	•	•	•	•	•	•	•

Maximum number of cable glands to DIN 50262*





* = Conical form tapering downwards
Free dimensions-tolerance to GTA 13/5 DIN 1688



M	Corner dim.	Side		PG	Corner dim.	Side	
		A/B	C/D			A/B	C/D
12	17,25	246	162	7	17,25	246	162
16	25,30	126	72	9	21,85	160	99
20	27,60	100	68	11	25,30	112	72
25	37,95	54	33	13,5	27,60	100	64
32	48,30	30	20	16	31,05	77	53
40	60,95	18	12	21	37,95	54	33
50	69,00	15	9	29	48,30	30	20
63	74,75	12	8	36	60,95	18	12
				42	69,00	15	9
				48	74,75	14	8

* Please quote mounting side

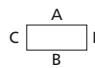
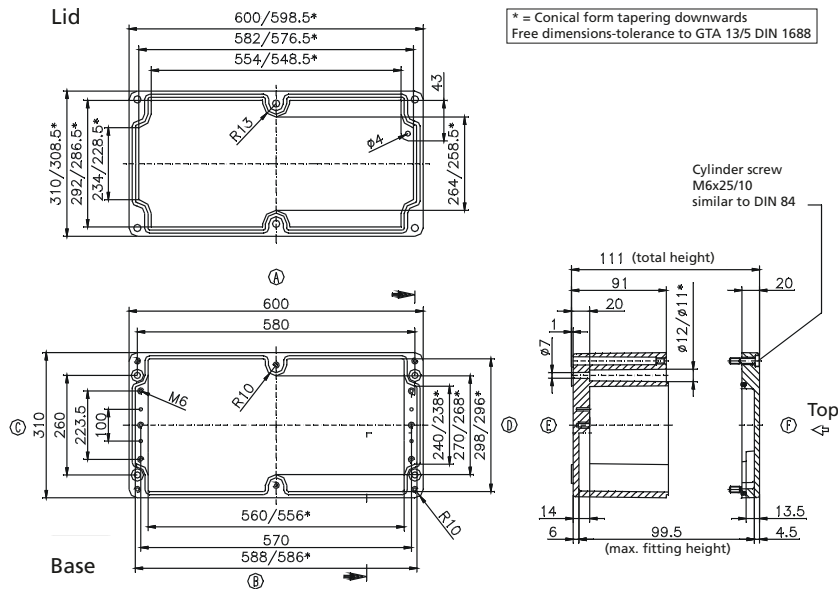
Type: **01.31 60 11**

External dimensions: **310 x 600 x 111 mm**

Weight: **10160 g**

DIN rail length in mm	max. fitting length in mm	Earthing rail clamp	Mounting plate (thickness in mm)	External mounting brackets	External hinge* set	EMC version	Internal hinge* set	SWB / SBG / SBGL Corr.protection	Allen lid screws	Silicone lid seal	Sealable lid screws in steel	Turn bolt fastener
TS 35												
581	560	40	2	•	•	•	•	•	•	•	•	•

Maximum number of cable glands to DIN 50262*

M	Corner dim.	Side		PG	Corner dim.	Side	
		A/B	C/D			A/B	C/D
12	17,25	150	68	7	17,25	150	68
16	25,30	76	28	9	21,85	96	42
20	27,60	60	24	11	25,30	72	27
25	37,95	30	12	13,5	27,60	60	24
32	48,30	20	7	16	31,05	48	18
40	60,95	10	4	21	37,95	28	12
50	69,00	8	3	29	48,30	20	6
63	74,75	6	3	36	60,95	10	4
				42	69,00	8	3
				48	74,75	6	3

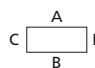
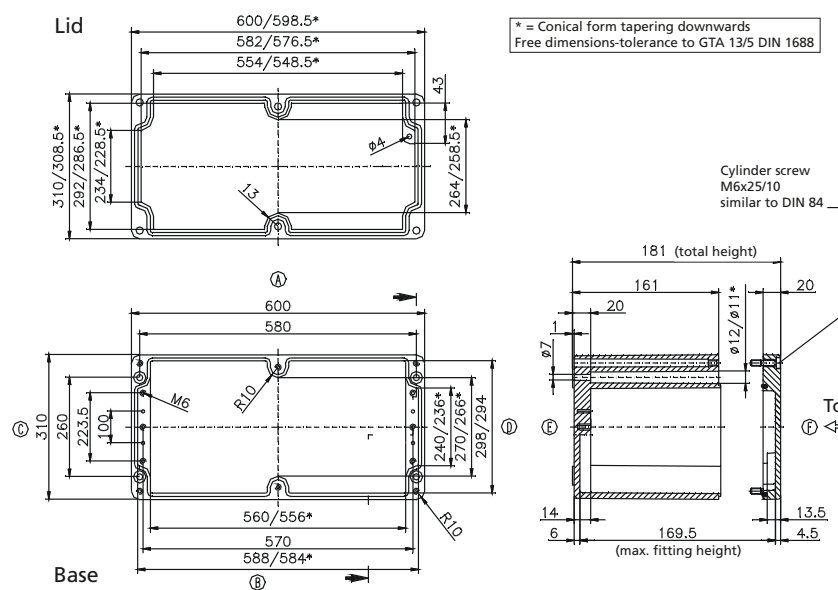
Type: **01.31 60 18**

External dimensions: **310 x 600 x 181 mm**

Weight: **12560 g**

DIN rail length in mm	max. fitting length in mm	Earthing rail clamp	Mounting plate (thickness in mm)	External mounting brackets	External hinge* set	EMC version	Internal hinge* set	SWB / SBG / SBGL Corr.protection	Allen lid screws	Silicone lid seal	Sealable lid screws in steel	Turn bolt fastener
TS 35												
581	560	40	2	•	•	•	•	•	•	•	•	•

Maximum number of cable glands to DIN 50262*

M	Corner dim.	Side		PG	Corner dim.	Side	
		A/B	C/D			A/B	C/D
12	17,25	270	122	7	17,25	270	122
16	25,30	140	54	9	21,85	184	74
20	27,60	108	48	11	25,30	134	54
25	37,95	56	24	13,5	27,60	108	48
32	48,30	32	15	16	31,05	84	35
40	60,95	22	9	21	37,95	56	24
50	69,00	16	6	29	48,30	32	15
63	74,75	12	6	36	60,95	22	8
				42	69,00	16	6
				48	74,75	12	6

* Please quote mounting side



- Aluminium diecast enclosure for electronic applications
- Integrated hinge and covered lid screws
- Rectangular arrangement of the bosses in the base and lid
- Optional deeper lid for fitting touch installations

Technical Data

Material:

DIN EN 1706 EN AC-AISI 12 (Fe)

Painting:

powder coating

Colour:

Enclosure RAL 7035, light grey
 Profile RAL 7015, slate grey
 special colour on request

Ingress protection:

IP 66 to EN 60529

Impact resistance:

7 Joule to EN 60079-0

Temperature range:

PU (polyurethane) seal (std.): -40°C to +90°C

CR (chloroprene) seal: -40°C to +100°C

VMQ(silicone) seal (optional): -60°C to +130°C

Included in delivery

Aluminium enclosure comprising lid
 incl. seals and stainless-steel lid screws,
 base including earthing screws.