



- Aluminium diecast enclosure for MCR and automation technology
- Prepared for acceptance for front membranes and keypads
- Rectangular dome sequence in lid and base

Technical Data

Material:
 DIN EN 1706 EN AC-AISI 12 (Fe)

Painting:
 powder coating

Colour:
 RAL 7038, agate grey
 special colour on request

Ingress protection:
 IP 66 to EN 60529
 higher protection on request

Impact resistance:
 7 Joule to EN 60079-0

Temperature range:
 PU (polyurethane) seal (std.): -40°C to +90°C
 CR (chloroprene) seal: -40°C to +100°C
 VMQ (silicone) seal (optional): -60°C to +130°C

Included in delivery

Aluminium diecast enclosure consisting of lid, seal incl. captive +/- stainless steel screws, base with 4 earthing screws

Aluform

Product range

Order No.	B x L x H (mm)	Mounting plate	DIN rail TS 15	DIN rail TS 35	External mounting brackets (pair)
04.08 08 08	80 x 80 x 81	10.01 10 60	10.06 10 03		04.00 00 80
04.08 12 05	80 x 120 x 51	10.01 10 61			04.00 00 80
04.08 12 08	80 x 120 x 81	10.01 10 61	10.06 10 50		04.00 00 80
04.10 10 06	100 x 100 x 61	10.01 10 31	10.06 10 07	10.06 14 71	04.00 01 00
04.10 16 06	100 x 160 x 61	10.01 10 32	10.06 10 08	10.06 14 72	04.00 01 00
04.10 20 06	100 x 200 x 61	10.01 10 33	10.06 10 09	10.06 14 73	04.00 01 00
04.12 12 08	120 x 120 x 81	10.01 10 62	10.06 10 50	10.06 14 83	04.00 01 20
04.12 16 08	120 x 160 x 81	10.01 10 63	10.06 10 08	10.06 14 72	04.00 01 20
04.14 14 07	140 x 140 x 71	10.01 10 34	10.06 10 44	10.06 14 74	04.00 01 40
04.14 18 07	140 x 180 x 71	10.01 10 35	10.06 10 05	10.06 14 75	04.00 01 40
04.14 22 07	140 x 220 x 72	10.01 10 36	10.06 10 46	10.06 14 76	04.00 01 40
04.15 18 08	150 x 180 x 81	10.01 10 70	on request	on request	
04.16 16 08	160 x 160 x 81	10.01 10 64	10.06 10 08	10.06 14 72	04.00 01 60
04.16 24 08	160 x 240 x 81	10.01 10 65	10.06 10 51	10.06 14 84	04.00 01 60
04.20 20 07	200 x 200 x 72	10.01 10 37	10.06 10 09	10.06 14 73	04.00 02 00
04.20 28 07	200 x 280 x 72	10.01 10 59	10.06 10 48	10.06 14 81	04.00 02 00
04.28 28 11	280 x 280 x 111	10.01 10 71	10.06 10 48	10.06 14 81	

Accessories

Type	DIN rails for terminals		Mounting plate 1)	External mounting brackets pair	External aluminium hinges pair 3), 4)	EMC screening	SWB/SBG/ SBGL Corrosion protection	Allen lid screws 2)	Silicone lid seal up to +130°C	Sealable lid screws in steel	Lid safety strip
	TS 15	TS 35									
04.08 08 08	•		•	•	•	•	•	•	•	•	•
04.08 12 05			•	•	•	•	•	•	•	•	•
04.08 12 08	•		•	•	•	•	•	•	•	•	•
04.10 10 06	•	•	•	•	•	•	•	•	•	•	•
04.10 16 06	•	•	•	•	•	•	•	•	•	•	•
04.10 20 06	•	•	•	•	•	•	•	•	•	•	•
04.12 12 08	•	•	•	•	•	•	•	•	•	•	•
04.12 16 08	•	•	•	•	•	•	•	•	•	•	•
04.14 14 07	•	•	•	•	•	•	•	•	•	•	•
04.14 18 07	•	•	•	•	•	•	•	•	•	•	•
04.14 22 07	•	•	•	•	•	•	•	•	•	•	•
04.15 18 08	•	•	•		•	•	•	•	•	•	•
04.16 16 08	•	•	•	•	•	•	•	•	•	•	•
04.16 24 08	•	•	•	•	•	•	•	•	•	•	•
04.20 20 07	•	•	•	•	•	•	•	•	•	•	•
04.20 28 07	•	•	•	•	•	•	•	•	•	•	•
04.28 28 11	•	•	•		•	•	•	•	•	•	•

1) Laminated paper

2) Stainless steel

3) Diecast aluminium

4) Please quote the installation side A-D when ordering

Aluform

Accessories



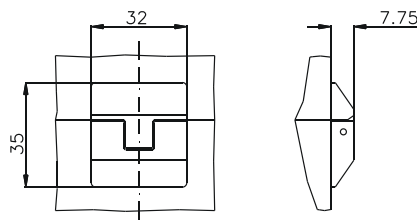
Panel holder
 to convert the Aluform enclosure into a multi-functional control terminal
 wall or table mounting
 sheet steel material; powder coated, RAL 7030, stone grey

Order No.	width	for type
04.30 00 09	98 mm	04.10 10 06
		04.10 16 06
		04.10 20 06
04.30 00 14	138 mm	04.14 14 07
		04.14 18 07
		04.14 22 07



External hinge (set = 2 pcs)

Order No. **04.00 00 10**



Lid safety strip
 set = 2 pcs.
 Note: for fastening base has to be manufactured

Order No. **04.00 00 20**

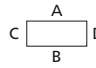
Type: **04.08 08 08**

External dimensions: **80 x 80 x 81 mm**

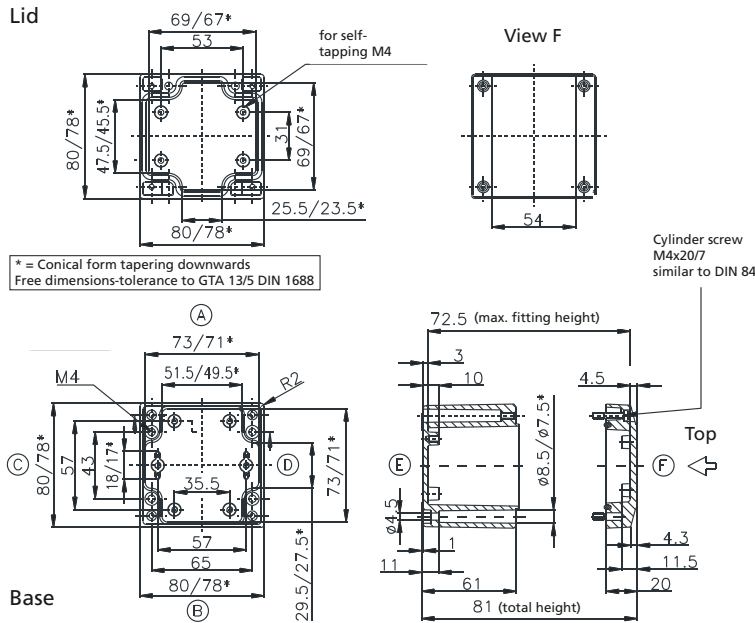
Weight: **580 g**

DIN rail length in mm	max. fitting length in mm	Mounting plate (thickness in mm)	External mounting brackets	External hinge* set	EMC version	SWB / SBG / SBGL corrosion protection	Allen lid screws	Silicone lid seal	Sealable lid screws in steel	Lid safety strip
TS 15										
63	50	2	•	•	•	•	•	•	•	•

Maximum number of cable glands to DIN 50262*



M	Corner dim.	Side		PG	Corner dim.	Side	
		A/B	C/D			A/B	C/D
12	17,25	8	3	7	17,25	8	3
16	25,30	4	2	9	21,85	5	2
20	27,60	3	1	11	25,30	4	2
25	37,95	1	1	13,5	27,60	3	1
32	48,30	1		16	31,05	2	1
40	60,95			21	37,95	1	
50	69,00			29	48,30	1	
63	74,75			36	60,95		
				42	69,00		
				48	74,75		



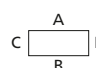
Type: **04.08 12 05**

External dimensions: **80 x 120 x 51 mm**

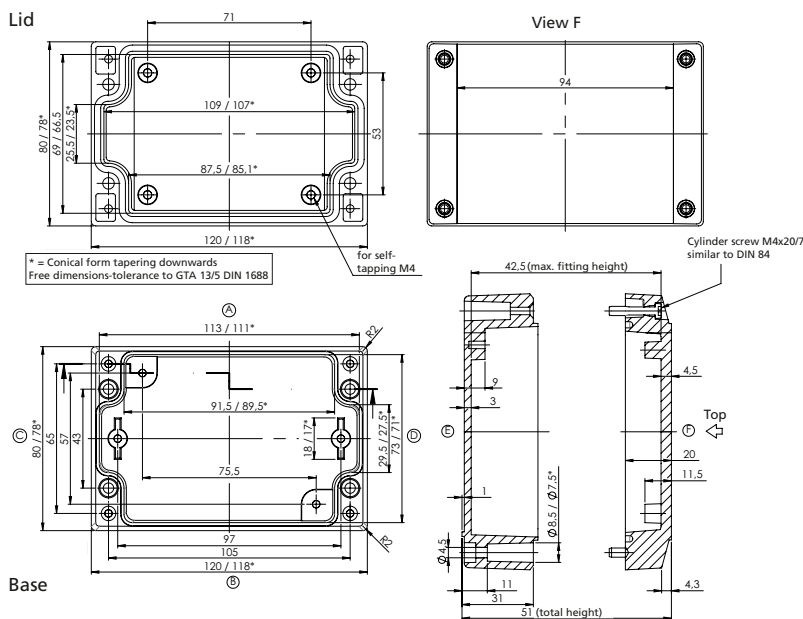
Weight: **436 g**

DIN rail length in mm	max. fitting length in mm	Mounting plate (thickness in mm)	External mounting brackets	External hinge* set	EMC version	SWB / SBG / SBGL corrosion protection	Allen lid screws	Silicone lid seal	Sealable lid screws in steel	Lid safety strip
		2	•	•	•	•	•	•	•	•

Max. Bestückungsmöglichkeit für Kabelverschraubungen nach DIN 50262*



M	Corner dim.	Side		PG	Corner dim.	Side	
		A/B	C/D			A/B	C/D
12	17,25	6	1	7	17,25	6	1
16	25,30	3	1	9	21,85	4	1
20	27,60	3		11	25,30	3	
25	37,95			13,5	27,60	3	
32	48,30			16	31,05		
40	60,95			21	37,95		
50	69,00			29	48,30		
63	74,75			36	60,95		
				42	69,00		
				48	74,75		



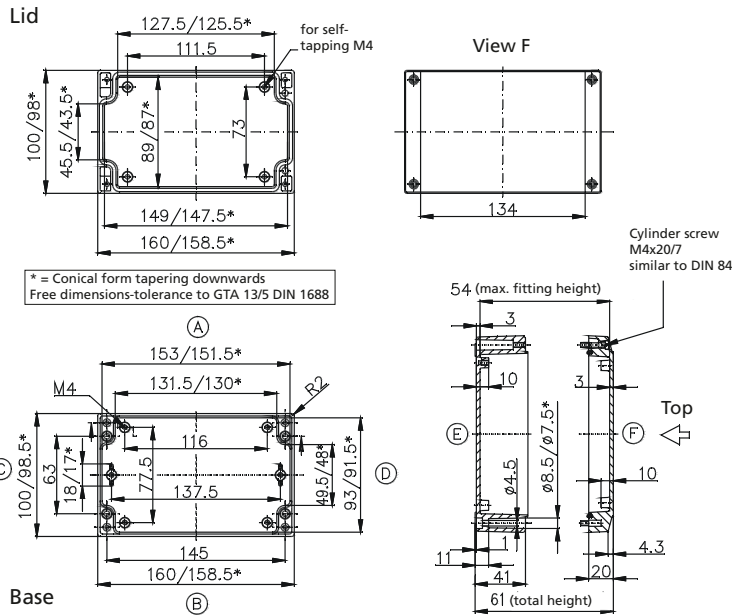
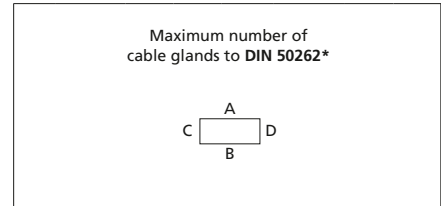
* Please quote mounting side

Type: **04.10 16 06**

External dimensions: **100 x 160 x 61 mm**

Weight: **820 g**

DIN rail length in mm	max. fitting length in mm	Mounting plate (thickness in mm)	External mounting brackets	External hinge* set	EMC version	SWB / SBGL corrosion protection	Allen lid screws	Silicone lid seal	Sealable lid screws in steel	Lid safety strip
TS 15/TS 35										
148	130	2	•	•	•	•	•	•	•	•



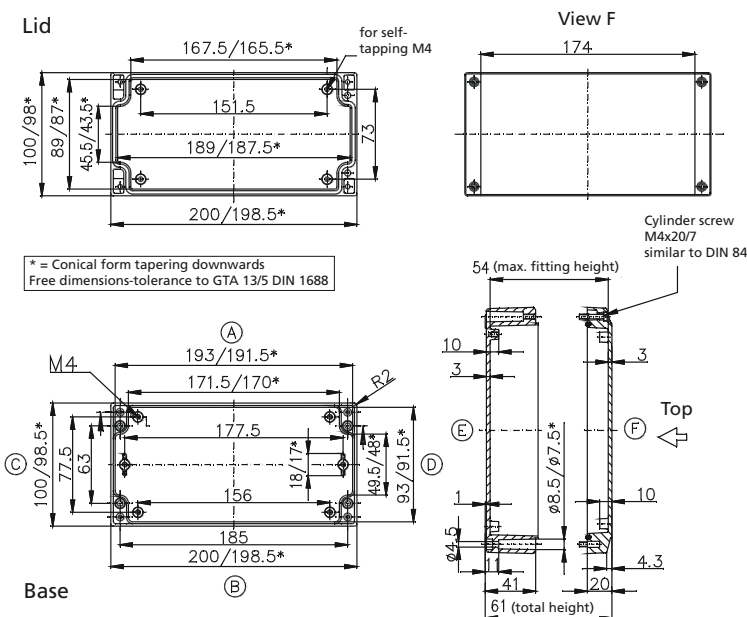
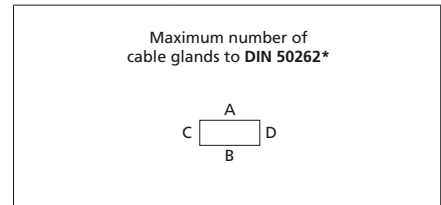
M	Corner dim.	Side		PG	Corner dim.	Side	
		A/B	C/D			A/B	C/D
12	17,25	11	4	7	17,25	11	4
16	25,30	5	2	9	21,85	6	2
20	27,60	4	2	11	25,30	5	2
25	37,95			13,5	27,60	4	2
32	48,30			16	31,05	4	1
40	60,95			21	37,95		
50	69,00			29	48,30		
63	74,75			36	60,95		
				42	69,00		
				48	74,75		

Type: **04.10 20 06**

External dimensions: **100 x 200 x 61 mm**

Weight: **840 g**

DIN rail length in mm	max. fitting length in mm	Mounting plate (thickness in mm)	External mounting brackets	External hinge* set	EMC version	SWB / SBGL corrosion protection	Allen lid screws	Silicone lid seal	Sealable lid screws in steel	Lid safety strip
TS 15/TS 35										
188	170	2	•	•	•	•	•	•	•	•



M	Corner dim.	Side		PG	Corner dim.	Side	
		A/B	C/D			A/B	C/D
12	17,25	15	4	7	17,25	14	4
16	25,30	7	2	9	21,85	8	2
20	27,60	6	2	11	25,30	7	2
25	37,95			13,5	27,60	6	2
32	48,30			16	31,05	5	1
40	60,95			21	37,95		
50	69,00			29	48,30		
63	74,75			36	60,95		
				42	69,00		
				48	74,75		

* Please quote mounting side

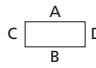
Type: **04.12 12 08**

External dimensions: **120 x 120 x 81 mm**

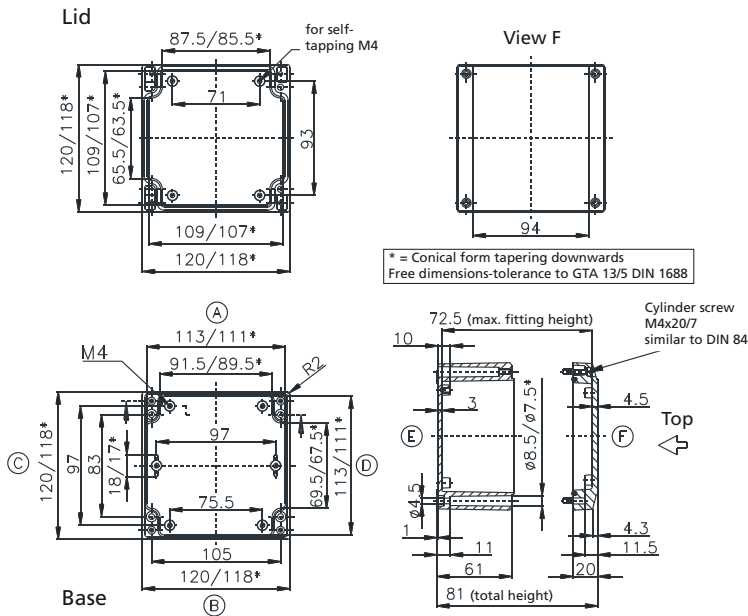
Weight: **880 g**

DIN rail length in mm	max. fitting length in mm	Mounting plate (thickness in mm)	External mounting brackets	External hinge* set	EMC version	SWB / SBGL corrosion protection	Allen lid screws	Silicone lid seal	Sealable lid screws in steel	Lid safety strip
TS 15/TS 35										
107	90	2	•	•	•	•	•	•	•	•

Maximum number of cable glands to **DIN 50262***



M	Corner dim.	Side		PG	Corner dim.	Side	
		A/B	C/D			A/B	C/D
12	17,25	15	11	7	17,25	15	11
16	25,30	6	6	9	21,85	8	6
20	27,60	5	4	11	25,30	6	5
25	37,95	2	2	13,5	27,60	5	4
32	48,30	2	1	16	31,05	3	2
40	60,95			21	37,95	2	2
50	69,00			29	48,30	2	1
63	74,75			36	60,95		
				42	69,00		
				48	74,75		



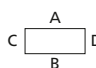
Type: **04.12 16 08**

External dimensions: **120 x 160 x 81 mm**

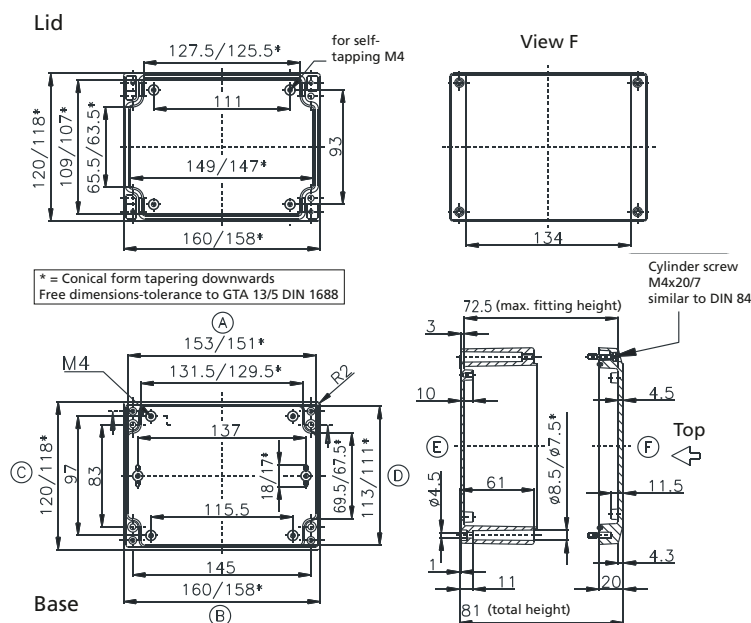
Weight: **830 g**

DIN rail length in mm	max. fitting length in mm	Mounting plate (thickness in mm)	External mounting brackets	External hinge* set	EMC version	SWB / SBGL corrosion protection	Allen lid screws	Silicone lid seal	Sealable lid screws in steel	Lid safety strip
TS 15/TS 35										
148	130	2	•	•	•	•	•	•	•	•

Maximum number of cable glands to **DIN 50262***



M	Corner dim.	Side		PG	Corner dim.	Side	
		A/B	C/D			A/B	C/D
12	17,25	21	11	7	17,25	21	11
16	25,30	10	6	9	21,85	12	6
20	27,60	8	4	11	25,30	10	5
25	37,95	4	2	13,5	27,60	8	4
32	48,30	3	1	16	31,05	5	2
40	60,95			21	37,95	3	2
50	69,00			29	48,30	2	1
63	74,75			36	60,95		
				42	69,00		
				48	74,75		



* Please quote mounting side

Type: **04.16 16 08**

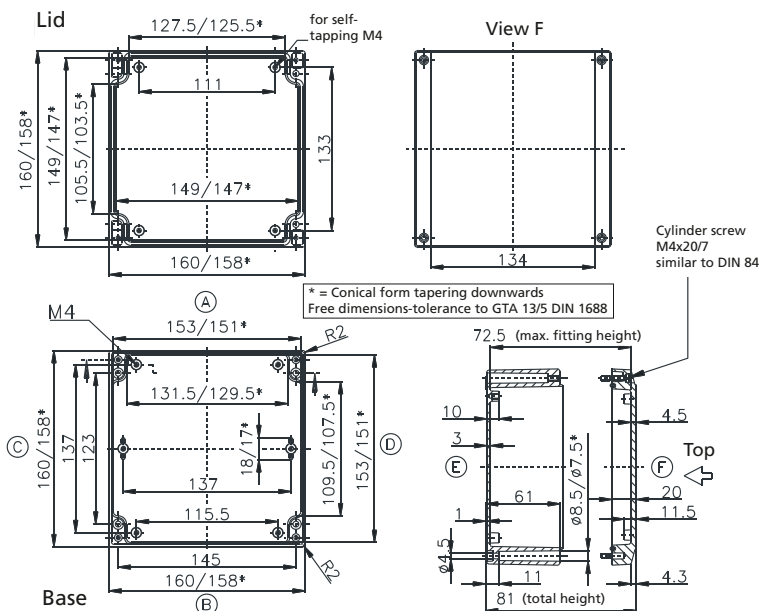
External dimensions: **160 x 160 x 81 mm**

Weight: **1120 g**

DIN rail length in mm	max. fitting length in mm	Mounting plate (thickness in mm)	External mounting brackets	External hinge* set	EMC version	SWB / SBG / SBGL corrosion protection	Allen lid screws	Silicone lid seal	Sealable lid screws in steel	Lid safety strip
TS 15/TS 35										
148	130	2	•	•	•	•	•	•	•	•

Maximum number of cable glands to DIN 50262*

M	Corner dim.	Side		PG	Corner dim.	Side	
		A/B	C/D			A/B	C/D
12	17,25	21	18	7	17,25	21	18
16	25,30	10	8	9	21,85	12	10
20	27,60	8	7	11	25,30	10	8
25	37,95	4	3	13,5	27,60	8	7
32	48,30	3	2	16	31,05	5	4
40	60,95			21	37,95	3	3
50	69,00			29	48,30	2	2
63	74,75			36	60,95		
				42	69,00		
				48	74,75		



Type: **04.16 24 08**

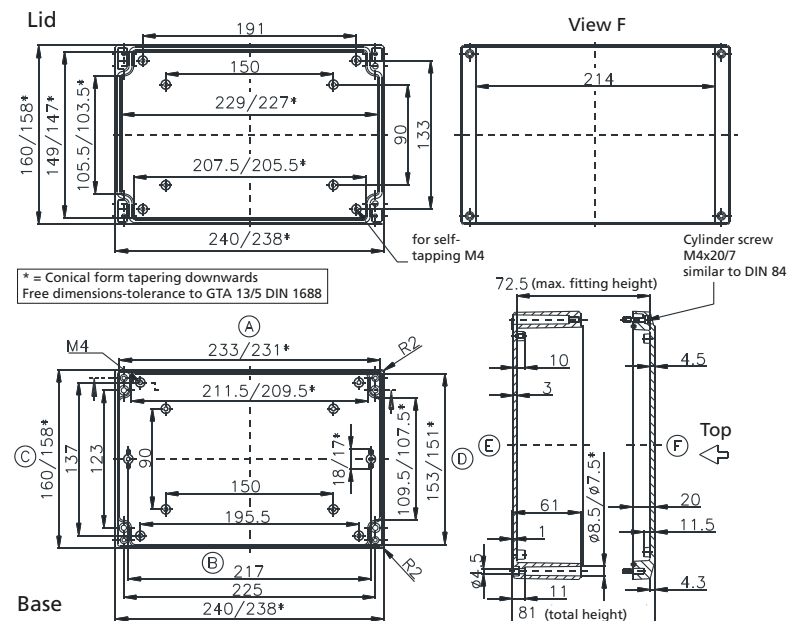
External dimensions: **160 x 240 x 81 mm**

Weight: **1900 g**

DIN rail length in mm	max. fitting length in mm	Mounting plate (thickness in mm)	External mounting brackets	External hinge* set	EMC version	SWB / SBG / SBGL corrosion protection	Allen lid screws	Silicone lid seal	Sealable lid screws in steel	Lid safety strip
TS 15/TS 35										
228	210	2	•	•	•	•	•	•	•	•

Maximum number of cable glands to DIN 50262*

M	Corner dim.	Side		PG	Corner dim.	Side	
		A/B	C/D			A/B	C/D
12	17,25	36	18	7	17,25	36	18
16	25,30	16	8	9	21,85	18	10
20	27,60	14	7	11	25,30	16	8
25	37,95	6	3	13,5	27,60	14	7
32	48,30	4	2	16	31,05	9	4
40	60,95			21	37,95	6	3
50	69,00			29	48,30	4	2
63	74,75			36	60,95		
				42	69,00		
				48	74,75		



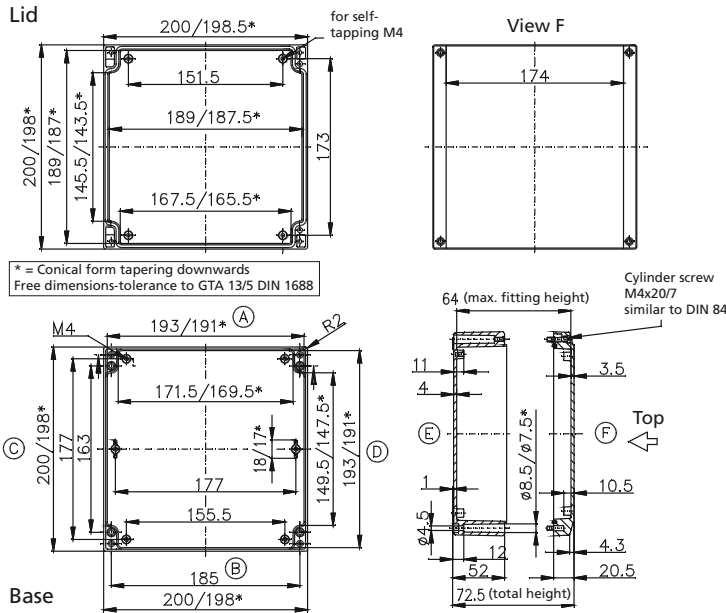
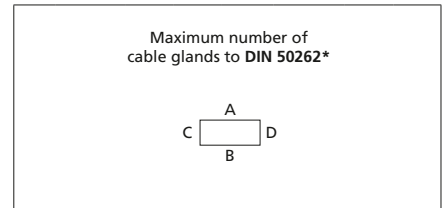
* Please quote mounting side

Type: **04.20 20 07**

External dimensions: **200 x 200 x 72 mm**

Weight: **1440 g**

DIN rail length in mm	max. fitting length in mm	Mounting plate (thickness in mm)	External mounting brackets	External hinge* set	EMC version	SWB / SBGL corrosion protection	Allen lid screws	Silicone lid seal	Sealable lid screws in steel	Lid safety strip
TS 15/TS 35										
188	170	2	•	•	•	•	•	•	•	•



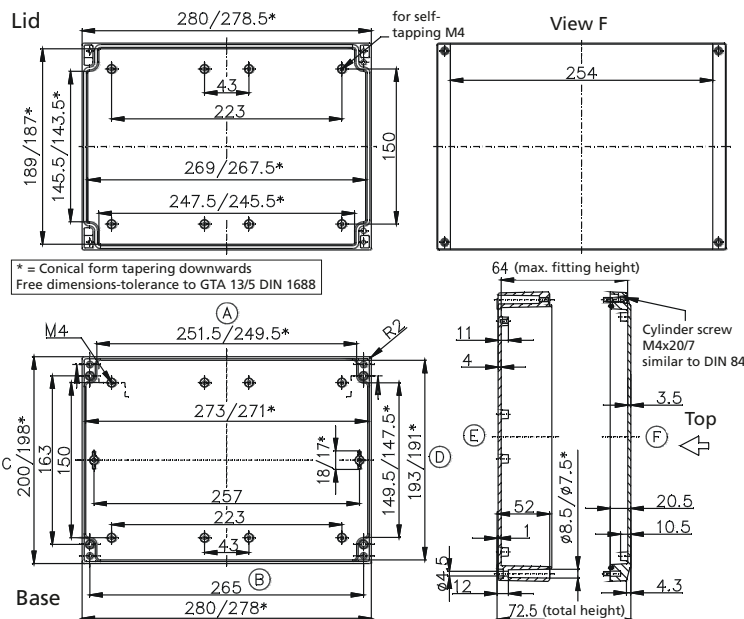
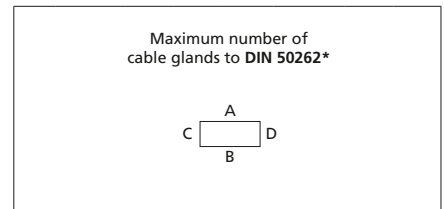
M	Corner dim.	Side		PG	Corner dim.	Side	
		A/B	C/D			A/B	C/D
12	17,25	20	17	7	17,25	20	17
16	25,30	9	8	9	21,85	14	13
20	27,60	7	6	11	25,30	8	7
25	37,95	4	4	13,5	27,60	7	6
32	48,30			16	31,05	6	5
40	60,95			21	37,95	4	4
50	69,00			29	48,30		
63	74,75			36	60,95		
				42	69,00		
				48	74,75		

Type: **04.20 28 07**

External dimensions: **200 x 280 x 72 mm**

Weight: **1920 g**

DIN rail length in mm	max. fitting length in mm	Mounting plate (thickness in mm)	External mounting brackets	External hinge* set	EMC version	SWB / SBGL corrosion protection	Allen lid screws	Silicone lid seal	Sealable lid screws in steel	Lid safety strip
TS 15/TS 35										
266	250	2	•	•	•	•	•	•	•	•



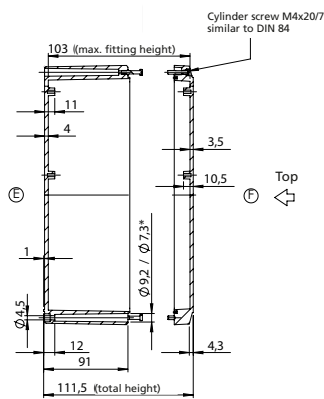
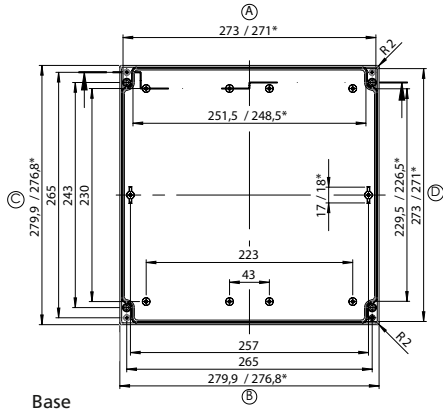
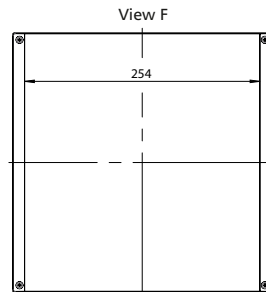
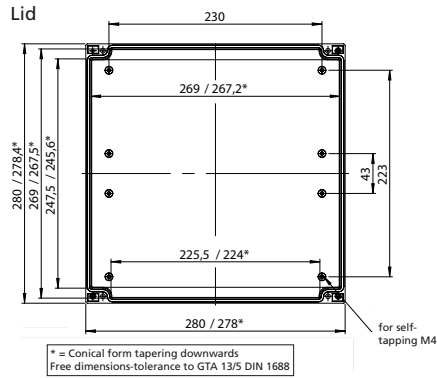
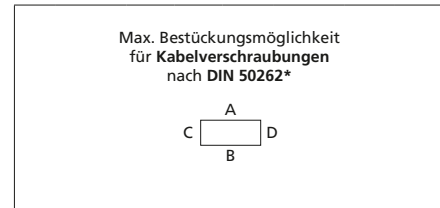
M	Corner dim.	Side		PG	Corner dim.	Side	
		A/B	C/D			A/B	C/D
12	17,25	29	17	7	17,25	29	17
16	25,30	13	8	9	21,85	22	13
20	27,60	10	6	11	25,30	12	7
25	37,95	6	4	13,5	27,60	10	6
32	48,30			16	31,05	8	6
40	60,95			21	37,95	6	4
50	69,00			29	48,30		
63	74,75			36	60,95		
				42	69,00		
				48	74,75		

* Please quote mounting side

Type: **04.28 28 11**

External dimensions: **280 x 280 x 111 mm**

DIN rail length in mm	max. fitting length in mm	Mounting plate (thickness in mm)	External mounting brackets	External hinge* set	EMC version	SWB / SBG / SBGL corrosion protection	Allen lid screws	Silicone lid seal	Sealable lid screws in steel	Lid safety strip
			•	•	•	•	•	•	•	•



M	Corner dim.	Side		PG	Corner dim.	Side	
		A/B	C/D			A/B	C/D
12	17,25	70	65	7	17,25	70	65
16	25,30	30	27	9	21,85	44	40
20	27,60	27	24	11	25,30	30	27
25	37,95	12	12	13,5	27,60	27	24
32	48,30	8	7	16	31,05	21	20
40	60,95	4	4	21	37,95	12	12
50	69,00	4	3	29	48,30	7	6
63	74,75	3	3	36	60,95	4	4
				42	69,00	3	3
				48	74,75	3	3

* Please quote mounting side

Aluminium Standard



- Robust aluminium enclosure for mechanical engineering and automation technology
- Fixing options for DIN rails and mounting plates
- Usable in wide temperature area

Technical Data

Material:

DIN EN 1706 EN AC-AISI 12 (Fe)

Painting:

powder coating

Colour:

RAL 7001, silver grey

special colour on request

Ingress protection:

IP 66 to EN 60529

higher protection on request

Impact resistance:

7 Joule to EN 60079-0

Temperature range:

PU (polyurethane) seal (std.): -40°C to +90°C

CR (chloroprene) seal: -40°C to +100°C

VMQ(silicone) seal (optional): -60°C to +130°C

Included in delivery

Aluminium enclosure consisting of lid, seal incl. captive +/- stainless steel screws, base with 2 or 4 earthing screws