

## Taguan 130



- ABS hand held enclosure for data acquisition and measurement
- With integrated battery compartment
- Version with or without display opening
- Optional EMC version with internal coating

### Technical data

**Material:**  
ABS

**Ingress protection:**  
IP 40 to EN 60529

**Surface resistance:**  
4 x 10<sup>14</sup> Ohm, IEC 60093

**Flammability:**  
UL 94 HB

**Colour:**  
top and base, battery compartment cover,  
head/shaft panel: RAL 5020, ocean blue  
keyboard cover, battery compartment/battery  
pack: RAL 7024, graphite grey

**Temperature range:**  
-40°C to +80°C

#### Included in delivery

5-part enclosure with top and base, battery compartment, battery compartment cover, head and shaft cover, fixing and enclosure screws. Open version incl. display screen and punched seal.

# Taguan 130

## Product range

Type	Order No.	Version	Dimensions W x L x H (mm)	Weight (g)
Taguan 130 FO	<b>27.01 02 00</b>	flat, open	80/70 x 125 x 36,7 / 28,5	130
Taguan 130 FG	<b>27.01 02 01</b>	flat, closed	80/70 x 125 x 36,7 / 28,5	110
Taguan 130 TO	<b>27.01 02 10</b>	deep, open	80/70 x 125 x 46,7 / 28,5	123
Taguan 130 TG	<b>27.01 02 11</b>	deep, closed	80/70 x 125 x 46,7 / 28,5	140



### Electromechanical and electronic components

Upon request we can supply enclosures ready equipped with electromechanical and electronic components such as display, chipcard-acceptor, interface modules etc.

## Accessories

Battery holder for 4 micro-cells (AAA)	<b>27.01 02 80</b>
Battery holder for 9 V monobloc	<b>27.01 02 81</b>
Clip	<b>27.01 02 82</b>
Keypad FT 130b, 12 keys, printed (common connection)	<b>82.10 00 01</b>
Keypad FT 130e, 12 keys, with insert (matrix)	<b>82.10 00 02</b>
Connector 13-pole	<b>82.20 00 13</b>
Shaft cover in enclosure colour	<b>27.01 02 85</b>
Shaft cover transparent	<b>27.01 02 86</b>
Shaft cover for infrared	<b>27.01 02 87</b>
Spare display screen set	<b>27.01 02 88</b>
Spare screw set	<b>27.01 00 90</b>
Scratch resistant display screen	on request
Push-button and switches see page 53 - 58	

## Component mounting options

Component options	Type T130 FO	Type T130 FG	Type T130 TO	Type T130 TG
Display max. view area 45 x 17,4 mm max. mounting dimensions 65 x 29 mm	•		•	
Chipcard reader in head section	•	•	•	•
Scanner	•	•	•	•
PCMCIA slot	•	•	•	•
D-Sub interface 9-pin	•	•	•	•
D-Sub interface 15-pin	•	•	•	•
9 V monobloc	•	•	•	•
4 R3 micro-cells (AAA)	•	•	•	•
1. PCB (main board)	•	•	•	•
2. PCB (adapter board)	•	•	•	•
Membrane keypad	•	•	•	•

# Taguan 130

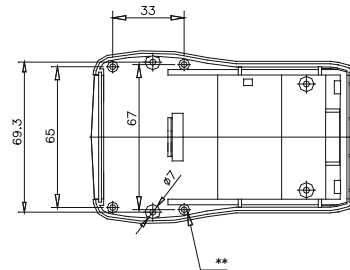
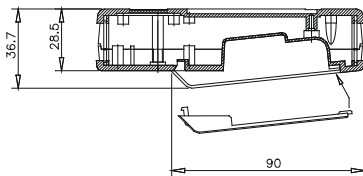
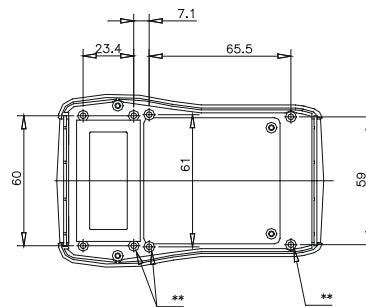
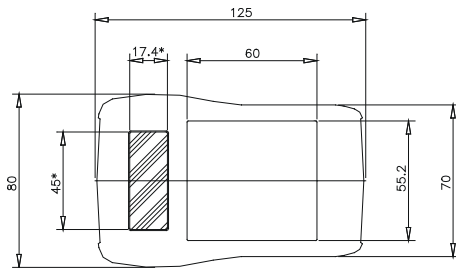
## Dimensions



Type	Version	Order No.
Taguan 130 FO	flat, open	<b>27.01 02 00</b>
Taguan 130 FG	flat, closed	<b>27.01 02 01</b>

(max. PCB size of displays ca. 65 x 29 mm)

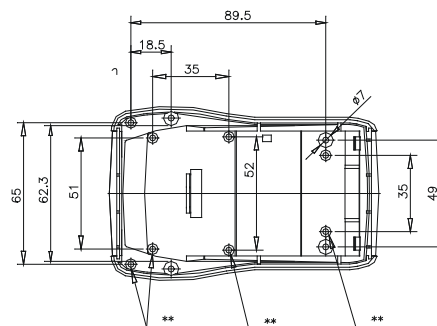
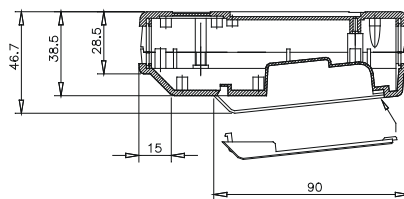
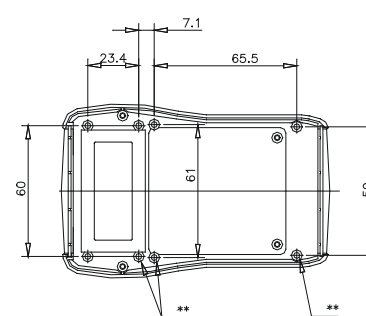
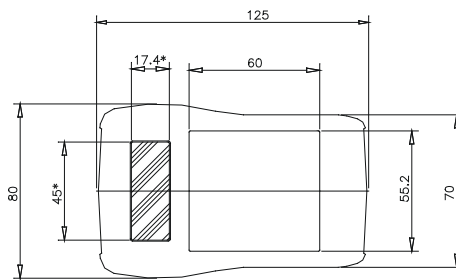
\* = Open version  
 \*\* = PCB mounting boss (screw 2.5 x 5)



Type	Version	Order No.
Taguan 130 TO	deep, open	<b>27.01 02 10</b>
Taguan 130 TG	deep, closed	<b>27.01 02 11</b>

(max. PCB size of displays ca. 65 x 29 mm)

\* = Open version  
 \*\* = PCB mounting boss (screw 2.5 x 5)



# Taguan 130

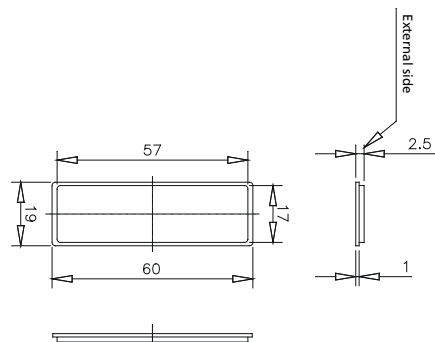
## Accessories



**Cover**  
for use as head or shaft cover

Version	Order No.
in enclosure colour	<b>27.01 02 85</b>
transparent	<b>27.01 02 86</b>
for infrared	<b>27.01 02 87</b>

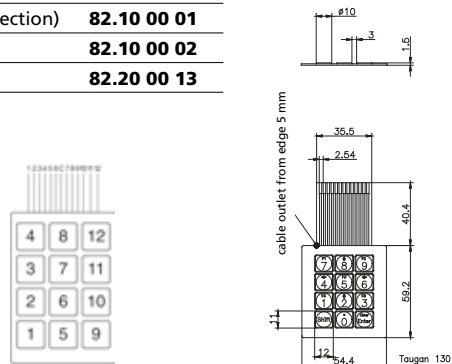
Units per pack: 1 pc



**Keypads**  
12 keys, printed version or plain with insertion facility for custom inscription

Type	Version	Order No.
FT 130b	12 keys, printed (common connection)	<b>82.10 00 01</b>
FT 130e	12 keys, with insert (matrix)	<b>82.10 00 02</b>
	Connector 13-pole	<b>82.20 00 13</b>

Customized keypads on request.



**Clip**  
Metal clip to snap onto battery compartment lid  
Order No. **27.01 02 82**



**Battery holder**  
for mounting in the bottom part, for 4 micro-cells (AAA) side by side or connection contact for 9 V monobloc

Version	Order No.
for 4 micro-cells (AAA)	<b>27.01 02 80</b>
for 9 V monobloc	<b>27.01 02 81</b>

Taguan 180/230



- ABS hand held enclosure for data acquisition and measurement
- With integrated battery compartment
- Version with or without display openings
- Optional EMC version with internal coating

**Technical data**

<b>Material:</b>	_____
ABS	_____
<b>Ingress protection:</b>	_____
IP 40 to EN 60529	_____
<b>Surface resistance:</b>	_____
4 x 10 <sup>14</sup> Ohm, IEC 60093	_____
<b>Flammability:</b>	_____
UL 94 HB	_____
<b>Colour:</b>	_____
top and base, battery compartment cover, head/shaft cover: RAL 5020, ocean blue	_____
keyboard cover, battery compartment/battery pack: RAL 7024, graphite grey	_____
<b>Temperature range:</b>	_____
-40°C to +80°C	_____

**Included in delivery**

Enclosure with top and base, keyboard cover, head and shaft cover, fastening and enclosure screws. Open version incl. display screen and punched seal.  
Please order battery compartment separately.

# Taguan 180/230

## Product range

Type	Order No.	Version	Dimensions W x L x H (mm)	Weight (g)
Taguan 180 O	<b>27.01 04 00</b>	open	84/70 x 180 x 52,5/37,5	140
Taguan 180 G	<b>27.01 04 01</b>	closed	84/70 x 180 x 52,5/37,5	170
Taguan 230 O	<b>27.01 06 00</b>	open	97/70 x 229 x 52,5/37,5	230
Taguan 230 G	<b>27.01 06 01</b>	closed	97/70 x 229 x 52,5/37,5	400



**Electromechanical and electronic components**  
Upon request we can supply enclosures ready equipped with electromechanical and electronic components such as display, chipcard-acceptor, interface modules etc.

## Accessories

Battery holder 9 V monobloc	<b>27.01 00 94</b>	Hand strap (T 180)	<b>27.01 04 84</b>
Shaft cover in enclosure colour	<b>27.01 02 85</b>	Hand strap (T 230)	<b>27.01 06 84</b>
Shaft cover transparent	<b>27.01 02 86</b>	Spare display screen set (T 180)	<b>27.01 04 88</b>
Shaft cover for infrared	<b>27.01 02 87</b>	Spare display screen set (T 230)	<b>27.01 06 88</b>
Battery compartment empty, 30 g	<b>27.01 00 80</b>	Spare screws set	<b>27.01 00 90</b>
Rechargeable battery pack NiMH 4.8 V / 2100 mAh	<b>27.20 00 03</b>	Head cover, stepped, in enclosure colour	<b>27.01 00 85</b>
Connector charger	<b>27.20 00 02</b>	Head cover, stepped, for infrared	<b>27.01 00 87</b>
Battery charging station	<b>27.20 00 01</b>	Head cover, stepped, transparent	<b>27.01 00 89</b>
Spring contact, 2-pole	<b>27.01 00 82</b>	Head cover, straight, in enclosure colour	<b>27.01 00 91</b>
Wrist strap	<b>27.01 00 83</b>	Head cover, straight, transparent	<b>27.01 00 92</b>
Display fixing set (T 180)	<b>27.01 04 80</b>	Head cover, straight, for infrared	<b>27.01 00 93</b>
Display fixing set (T 230)	<b>27.01 06 80</b>	Scratch resistant display screen	auf Anfrage
Switch mat set 12 keys	<b>27.01 00 95</b>	Push-button and switches see page 53 - 58	
Switch mat set 24 keys (T 180)	<b>27.01 04 81</b>		
Switch mat set 36 keys (T 230)	<b>27.01 06 81</b>		

## Components mounting options

Component options	Type T180 O	Type T180 G	Type T230 O	Type T230 G
Display (max. view area 56 x 33 mm; max. mounting dimensions 66 x 46 mm) •				
Display (max. view area 66 x 43 mm; max. mounting dimensions 78 x 56 mm)			•	
Chipcard reader in head section	•	•	•	•
Chipcard reader in shaft section	•	•	•	•
Magnetic card reader	•	•	•	•
Scanner	•	•	•	•
PCMCIA slot	•	•	•	•
D-Sub interface 9-pin	•	•	•	•
D-Sub interface 15-pin	•	•	•	•
D-Sub interface 25-pin	•	•	•	•
Battery pack	•	•	•	•
4 micro-cells R6 (AA)	•	•	•	•
9 V monobloc	•	•	•	•
1st board (main board)	•	•	•	•
2nd board (adapter board)	•	•	•	•
Membrane keypad	•	•	•	•
Switching mat, 12 keys, in combination with keypad plate	•	•	•	•
Switching mat, 24 keys	•	•		
Switching mat, 36 keys			•	•

# Taguan 180/230

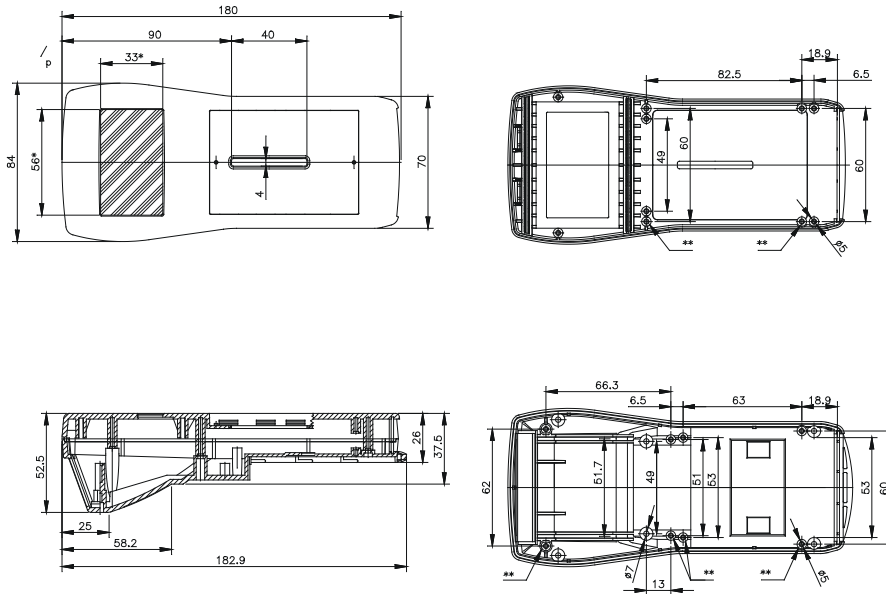
## Abmessungen



Type	Version	Order No.
Taguan 180 O	open	<b>27.01 04 00</b>
Taguan 180 G	closed	<b>27.01 04 01</b>

(max. PCB size of displays ca. 66 x 46 mm)

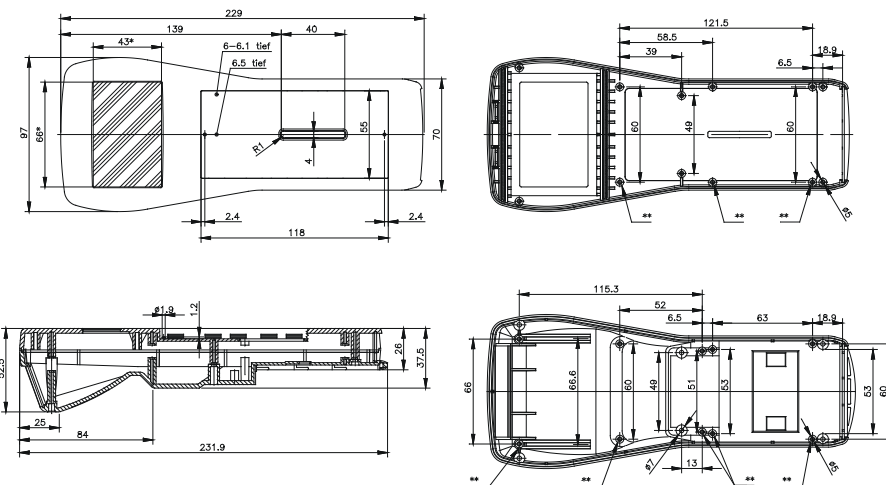
\* = Open version  
 \*\* = PCB mounting boss (screw 2.5 x 5)



Type	Version	Order No.
Taguan 230 O	open	<b>27.01 06 00</b>
Taguan 230 G	closed	<b>27.01 06 01</b>

(max. PCB size of displays ca. 78 x 56 mm)

\* = Open version  
 \*\* = PCB mounting boss (screw 2.5 x 5)



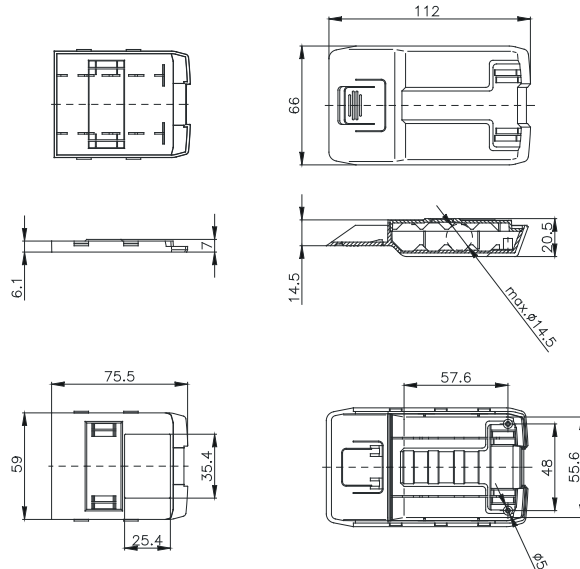
# Taguan 180/230

## Accessories



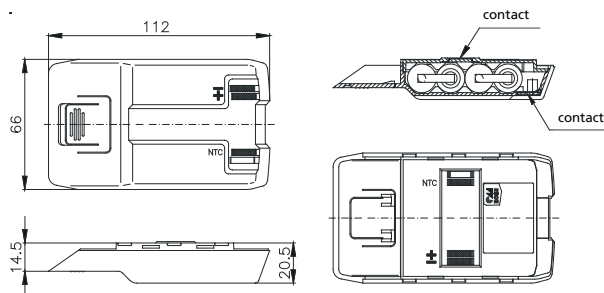
**Battery compartment empty**  
consisting of battery compartment and lid space for 4 micro-cells R6 (AA) side by side

Order No. **27.01 00 80**



**Rechargeable battery pack**  
NiMH 4.8 V / 2100 mAh

Order No. **27.20 00 03**



**Battery holder**  
for mounting in the bottom part for 9 V monobloc

Order No. **27.01 00 94**

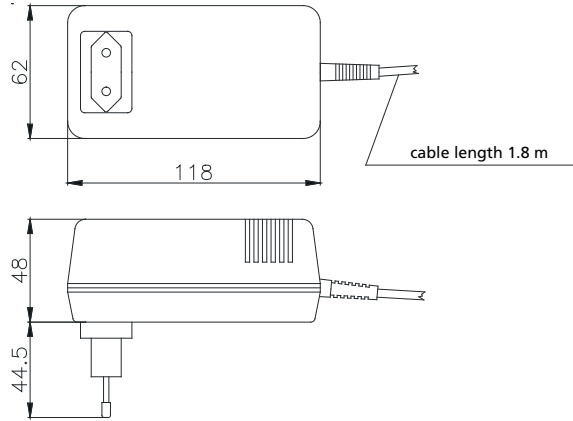
# Taguan 180/230

## Accessories



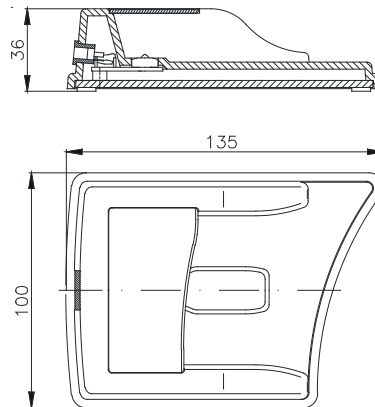
**Connector charger**  
with primary adapter

Order No. **27.20 00 02**



**Battery charging station**

Order No. **27.20 00 01**



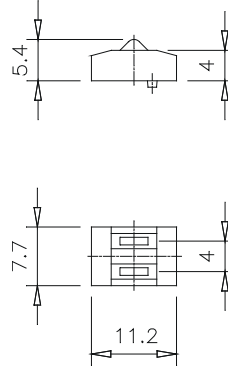
## Accessories



### Spring contact 2-pole

Counter-contacts for the battery pack (Company Bourns, type 70ADJ002ML1), for mounting in enclosure bottom part

Order No. **27.01 00 82**

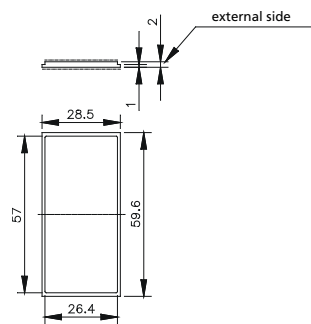


### Head cover

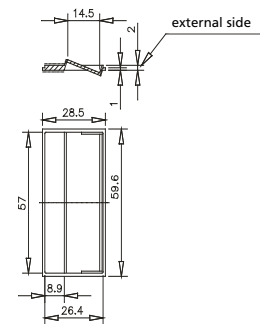
Version	Order No.
stepped in enclosure colour	<b>27.01 00 85</b>
stepped transparent	<b>27.01 00 89</b>
stepped for infrared	<b>27.01 00 87</b>
straight in enclosure colour	<b>27.01 00 91</b>
straight transparent	<b>27.01 00 92</b>
straight for infrared	<b>27.01 00 93</b>

units per pack: 1 pc

even



stepped



## Taguan 180/230

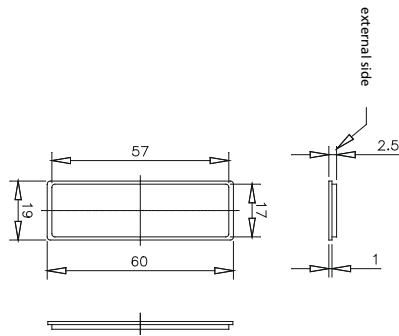
### Accessories



#### Shaft cover

Version	Order No.
in enclosure colour	<b>27.01 02 85</b>
transparent	<b>27.01 02 86</b>
for infrared	<b>27.01 02 87</b>

units per pack: 1 pc

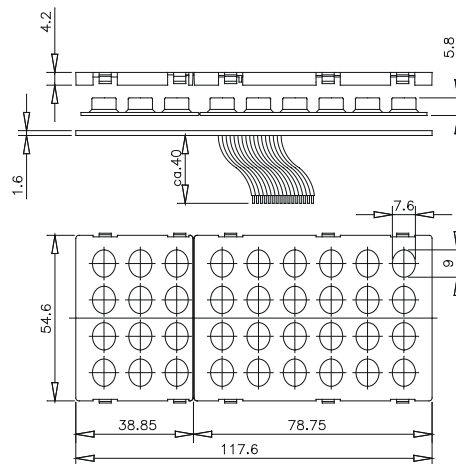


#### Switch mat set

consisting of keypad plate, silicone switching mat and keypad circuit board with connecting cable

for type	No. of keys	Order No.
Taguan 180/230	12*/**	<b>27.01 00 95</b>
Taguan 180	24**	<b>27.01 04 81</b>
Taguan 230	36	<b>27.01 06 81</b>

\* Please remember the modification of the toppart for the flat cable  
 \*\* Please not different heights by combination with closed cover



# Taguan 180/230

## Accessories



**Display fixing set**  
for variable display mounting

Version for	Order No.
Taguan 180	<b>27.01 04 80</b>
Taguan 230	<b>27.01 06 80</b>



**Hand strap**  
with Velcro fastener for adjustment, consisting of holding strap, adapter and screws

Version for	Order No.
Taguan 180	<b>27.01 04 84</b>
Taguan 230	<b>27.01 06 84</b>



**Wrist strap**  
to prevent falling down, or as carrying aid

Order No. **27.01 00 83**