

Pilot 250



- Polyamide hand held enclosure for MCR- and automation engineering
- Version with closed or front frame lid
- Rear battery compartment
- Optional EMC version with internal coating and EMC seal

Technical data

Material:

Polyamide

Ingress protection:

IP 65 to EN 60529

Impact resistance:

7 Joule to EN 60079-0

Flammability:

UL 94 HB

Colour:

Base and lid: RAL 7021, black grey

Rear cover: RAL 5003, sapphire blue

Temperature range:

-40°C to +60°C

Included in delivery

Double-skinned enclosure with top and base unit, each with fixing domes, battery compartment lid, fastening and enclosure screws

Pilot 250

Product range

| Type | Order No. | Version top part | Dimensions W x L x H (mm) | Weight (g) |
|-------------|--------------------|------------------|---------------------------|------------|
| Pilot 250/1 | 29.25 00 01 | closed | 140/120 x 280 x 86 | 700 |
| Pilot 250/2 | 29.25 00 02 | lid frame | 140/120 x 280 x 86 | 460 |

Accessories

| | |
|---|--------------------|
| Front panel, aluminium for Pilot 250/2 | 29.25 01 01 |
| Magnet holder round | 29.25 01 02 |
| Battery holder for fixing in the enclosure base for 4 micro-cells | 29.25 01 03 |
| Battery holder for fixing in the enclosure base for 9V monobloc | 29.25 01 04 |
| Wall holder (2 hooks, 2 bolts with screws) | 29.25 01 05 |
| Cable gland with bending protection M 16 x 1,5 | 08.10 01 16 |
| Cable gland with bending protection M 20 x 1,5 | 08.10 01 20 |
| Enabling switch (3-steps) | on request |



Electromechanical components

On request, we can supply equipment fitted with electro-mechanical components such as emergency stop button, acknowledge keys, hand wheel, switches, display



Battery holder

for fixing in enclosure base for 4 micro-cells or 9 V monobloc

| Version | Order No. |
|-------------------|--------------------|
| for 4 micro-cells | 29.25 01 03 |
| for 9 V monobloc | 29.25 01 04 |

Pilot 250



Pilot with membrane keypad



Rear cover



Large mounting space for electronic assemblies



Wall holder

Order No. **29.25 01 05**



Magnetic holder round

Order No. **29.25 01 02**



Cable gland

| Size | Order No. |
|------------|--------------------|
| M 16 x 1,5 | 08.10 01 16 |
| M 20 x 1,5 | 08.10 01 20 |



- Polyamide / PVC hand held enclosure for MCR and automation engineering
- Large fitting space
- Variable length using profile technology

Technical data

Material:
Polyamide / PVC

Ingress protection:
IP 65 to EN 60529

Impact resistance:
5 Joule to EN 60079-0

Flammability:
End covers: UL 94 HB

Colour:
End covers: RAL 1021, rape yellow
PVC-profile: RAL 9005, jet black

Temperature range:
-20°C to +70°C

Included in delivery

Enclosure system consisting of polyamide internal enclosure with end covers, two side PVC cover profiles, Alucobond composite front plate, rear wall, 2 external end covers, with M 25 x 1,5 threaded hole for cable gland

Pilot 50

Product range

| External enclosure dimensions W x L x H (mm) | Order No. Standard complete | Standard enclosure body without front plate/ without rear wall | Standard rear wall seperate | Standard front plate seperate |
|---|-----------------------------------|---|-----------------------------------|-------------------------------------|
| 280 x 191 x 76 | 29.11 10 00 | 29.11 00 00 | 29.11 00 01 | 29.11 00 02 |
| 330 x 191 x 76 | 29.12 10 00 | 29.12 00 00 | 29.12 00 01 | 29.12 00 02 |
| 440 x 191 x 76 | 29.13 10 00 | 29.13 00 00 | 29.13 00 01 | 29.13 00 02 |
| Sonderlänge | 29.19 10 00 | 29.19 00 00 | 29.19 00 01 | 29.19 00 02 |

Accessories

| | |
|--|--------------------|
| Cable gland with bending protection M 25 x 1,5 | 08.10 01 25 |
| Cable gland reduction M 25 / M 12 | 08.01 25 12 |
| Cable gland reduction M 25 / M 16 | 08.01 25 16 |
| Cable gland reduction M 25 / M 20 | 08.01 25 20 |
| Spring nut set of M4 for internal mounting, set of 4 pcs | 29.00 00 50 |
| PCB fixings, set of 4 pcs incl. spring nuts | 29.00 00 60 |
| Wall holder (set single) | 29.00 00 70 |
| Magnetic wall holder, 1 pc | 29.00 00 80 |
| Wall holder incl. enclosure modification | 29.00 10 00 |
| Push button and switches see page 53 - 58 | |



Electromechanical components

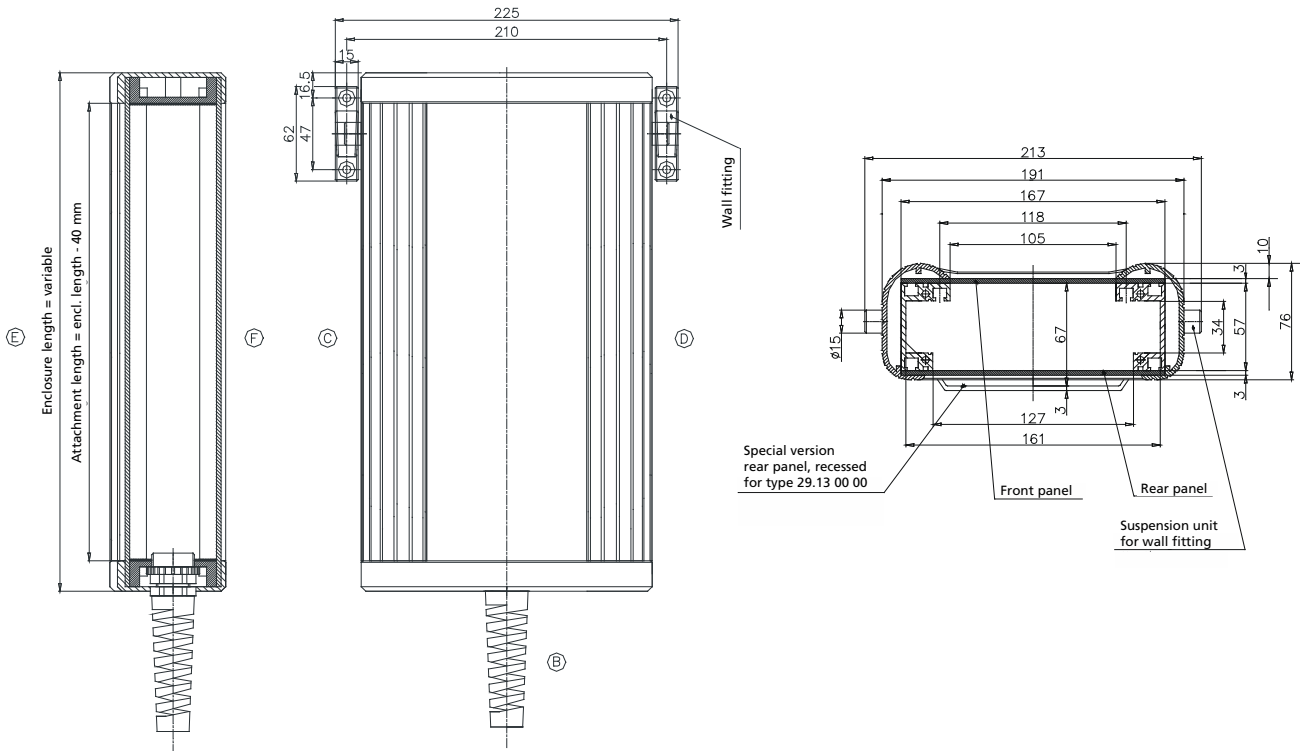
On request, we can supply equipment fitted with electro-mechanical components such as emergency stop button, acknowledge keys, hand wheel, switches, display

Pilot 50

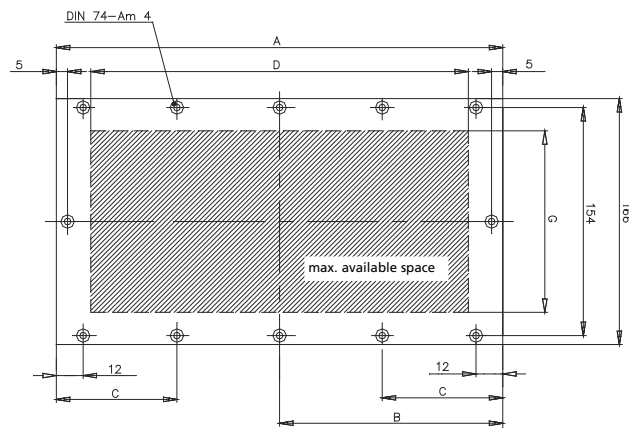
Dimensions



| Standard | Dimensions | Weight (g) |
|--------------------|----------------|------------|
| 29.11 10 00 | 280 x 191 x 76 | 1660 |
| 29.12 10 00 | 330 x 191 x 76 | 1900 |
| 29.13 10 00 | 440 x 191 x 76 | 2200 |
| 29.19 10 00 | Special length | |



| Type | A | B | C | D | G |
|-------------------------------|----------------------|-----|-----|--------|---------|
| 29.11 10 00 | 274 | - | 92 | 240 | 105/127 |
| 29.12 10 00 | 324 | 162 | 81 | 290 | 105/127 |
| 29.13 10 00 | 434 | 217 | 109 | 400 | 105/127 |
| Special size, $A \leq 300$ mm | Enclosure length - 6 | - | A/3 | A - 34 | 105/127 |
| Special size, $A \geq 300$ mm | Enclosure length - 6 | A/2 | A/4 | A - 34 | 105/127 |



Pilot 50

Zubehör



PCB fixing set
Set = 4 pcs with spring nuts
Order No. **29.00 00 60**



Set of spring nuts
Spring nuts (M4) for internal mounting;
set = 4 pcs
Order No. **29.00 00 50**



Wall holder set
Order No. **29.00 00 70**



Pilot with small control device



Inner T-slots offer mounting facilities on all sides



EMC version



Variable fittings

Pilot 10/20/30



- Hand held enclosure for MCR and automation engineering
- Robust design (Polyamide or Polyester)
- Version with handle and integrated cable entry (Pilot 10, 20 standard)

Technical data

Material:

Pilot 10 and Pilot 20: Polyamide

Pilot 30: Polyester

Ingress protection:

Pilot 10 and Pilot 20: IP 65 to EN 60529

Pilot 30: IP 66 to EN 60529

Impact resistance:

7 Joule to EN 60079-0

Flammability:

Pilot 10 and 20: UL 94 HB

Pilot 30: UL 94 V-0

Colour:

RAL 1021, rape yellow

Temperature range:

Pilot 10 and Pilot 20: -40°C to +60°C

Pilot 30: -25°C to +90°C

Included in delivery

Pilot 10/20: enclosure with handle, including cable gland M 20 x 1,5, front plate with fastening screw and wall holder

Pilot 30: two-part Polyester enclosure with self-adhesive aluminium front plate, enclosure screws and wall holder

Pilot 10/20/30

Product range

| Type | Order No. | Enclosure dimensions incl. handle W x L x H (mm) | Front plate dimensions W x H (mm) | Mounting depth (mm) |
|----------|--------------------|---|--------------------------------------|------------------------|
| Pilot 10 | 29.40 02 00 | 70 x 93 x 190 | 61 x 59 | 67 |
| Pilot 20 | 29.30 01 00 | 115 x 93 x 200 | 106 x 69 | 67 |
| Pilot 30 | 29.50 01 00 | 164 x 116 x 295 | 70 x 280 | 71 |

Accessories

| | |
|---|--------------------|
| Mounting plate (Pilot 20) | 29.31 00 00 |
| Wall holder (2 pcs. with screws) | 29.60 01 00 |
| Cable gland M 20 x 1,5 (Pilot 30) | 08.10 01 20 |
| Push button and switches see page 53 - 58 | |



Electromechanical components

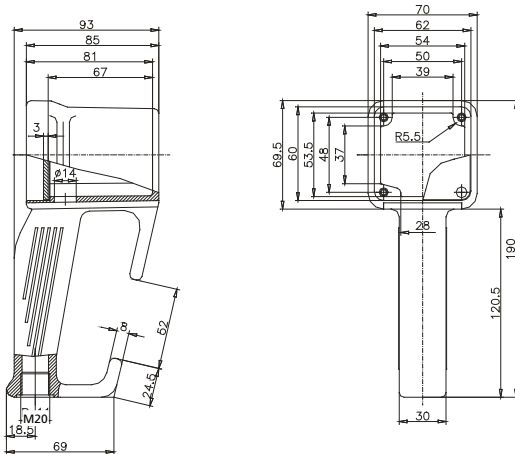
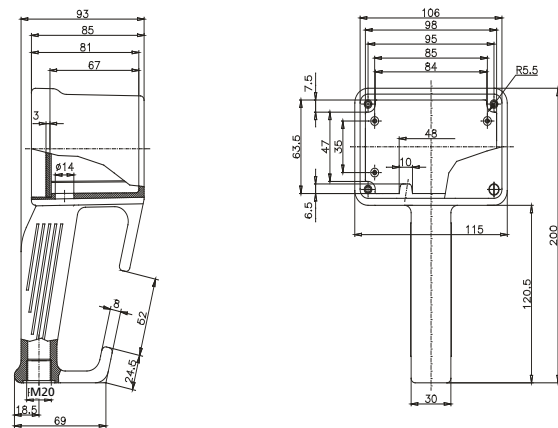
On request, we can supply equipment fitted with electro-mechanical components such as emergency stop button, acknowledge keys, hand wheel, switches, display

Pilot 10/20/30

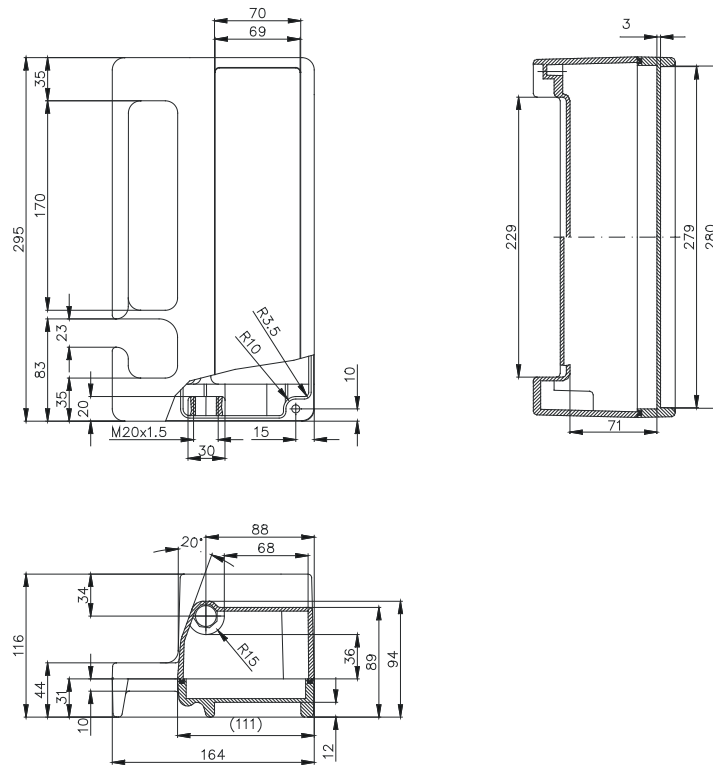
Dimensions



| Type | Order No. | Weight (g) |
|----------|--------------------|------------|
| Pilot 10 | 29.40 02 00 | 380 |
| Pilot 20 | 29.30 01 00 | 440 |

Pilot 10

Pilot 20


| Type | Order No. | Weight (g) |
|----------|--------------------|------------|
| Pilot 30 | 29.50 01 00 | 1700 |



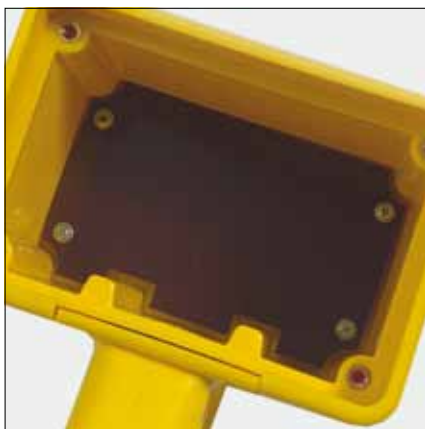
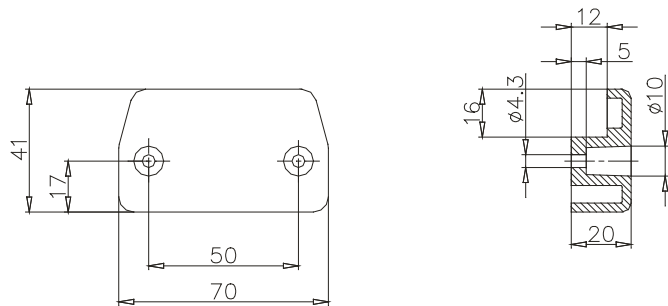
Pilot 10/20/30

Accessories



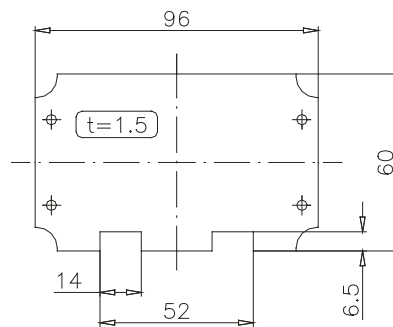
Wall holder
Set complete with 2 fittings and screws

Order No. **29.60 01 00**



Mounting plate Pilot 20

Order No. **29.31 00 00**



One and two button enclosures Pilot 10 / Pilot 20



Integrated handles on Pilot 10 and Pilot 20



Multi button enclosure Pilot 30

Pilot 110 - 150



- Polyamide hand enclosure for automation and control engineering
- Version with handle and integrated cable entry
- Large fitting space

Technical data

Material: _____

Polyamide

Front plate: Polystyrol

Ingress protection: _____

IP 65 to EN 60529

Impact resistance: _____

7 Joule to EN 60079-0

Flammability: _____

UL 94 HB

Colour: _____

RAL 1021, rape yellow

Temperature range: _____

-40°C to +60°C

Included in delivery

Enclosure with handle, including cable gland M 20 x 1.5, front plate, enclosure and front panel screws, and wall holder

Pilot 110 - 150

Product range

| Type | Order No. | Enclosure dimensions incl. handle W x L x H (mm) | Front plate dimensions W x H (mm) | Mounting depth (mm) |
|-----------|--------------------|---|--------------------------------------|------------------------|
| Pilot 110 | 29.21 10 00 | 85 x 85 x 191 | 77 x 77 | 63,5 |
| Pilot 120 | 29.21 20 00 | 115 x 85 x 191 | 107 x 77 | 63,5 |
| Pilot 130 | 29.21 30 00 | 85 x 85 x 221 | 77 x 107 | 63,5 |
| Pilot 140 | 29.21 40 00 | 160 x 85 x 211 | 152 x 97 | 63,5 |
| Pilot 150 | 29.21 50 00 | 105 x 85 x 266 | 97 x 152 | 63,5 |

Accessories

Magnetic holder (for Pilot 120 - 150)

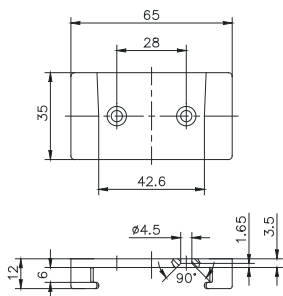
29.00 00 80

Push button and switches see page 53 - 58



Electromechanical components

On request, we can supply equipment fitted with electro-mechanical components such as emergency stop button, acknowledge keys, hand wheel, switches, display



Wall holder

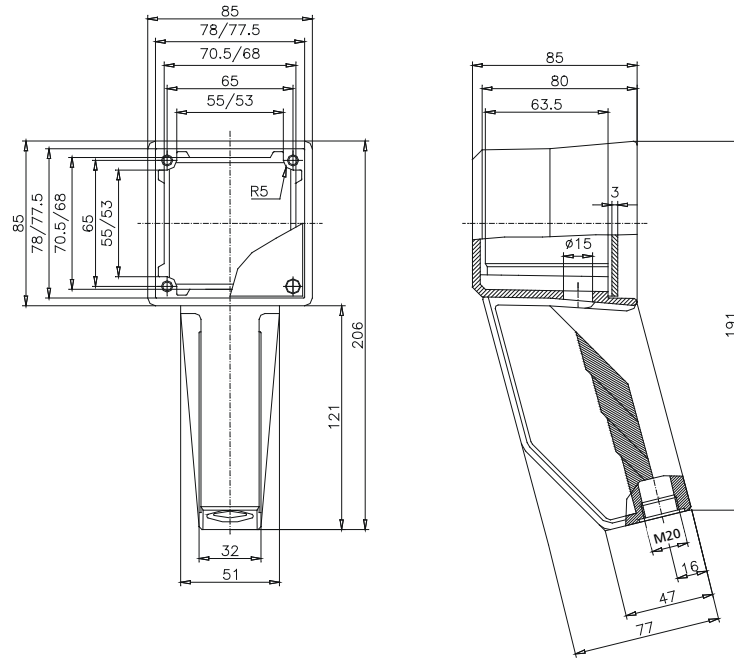
included in delivery

Pilot 110 - 150

Dimensions

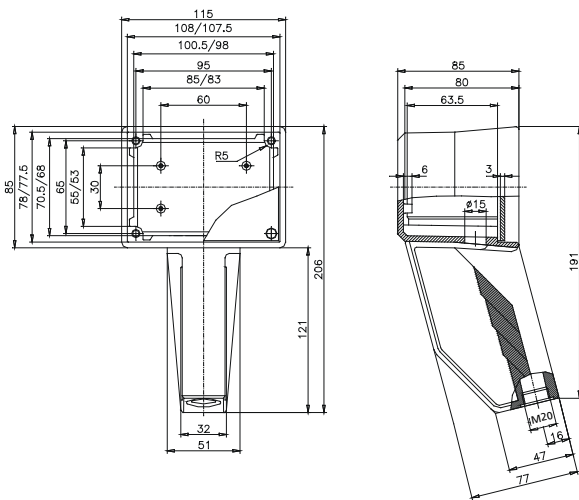


| Type | Order No. | Weight (g) |
|-----------|--------------------|------------|
| Pilot 110 | 29.21 10 00 | 500 |

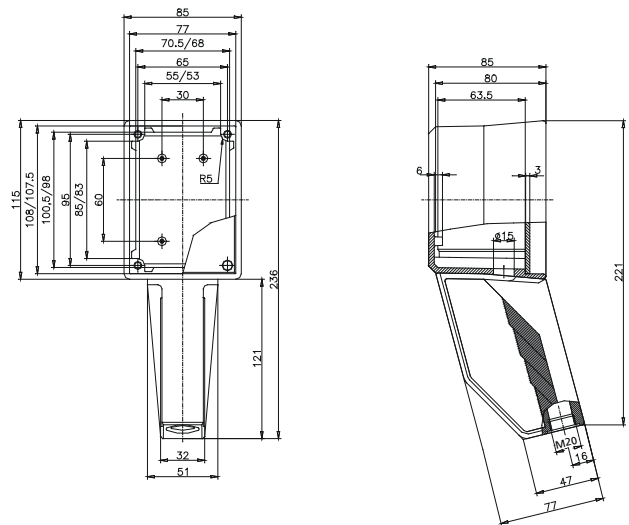


| Type | Order No. | Weight (g) |
|-----------|--------------------|------------|
| Pilot 120 | 29.21 20 00 | 341 |
| Pilot 130 | 29.21 30 00 | 341 |

Pilot 120



Pilot 130



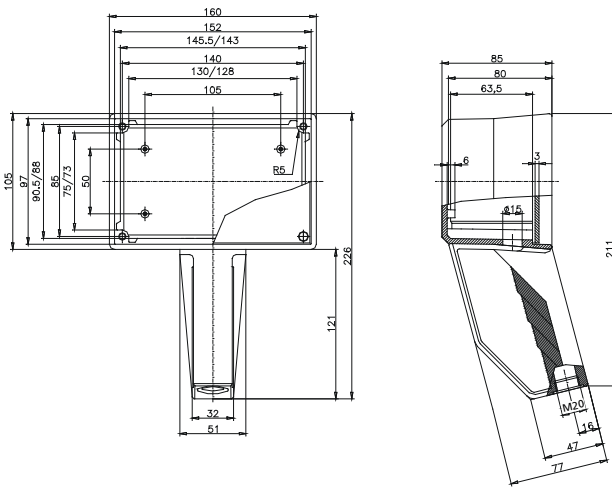
Pilot 110 - 150

Accessories

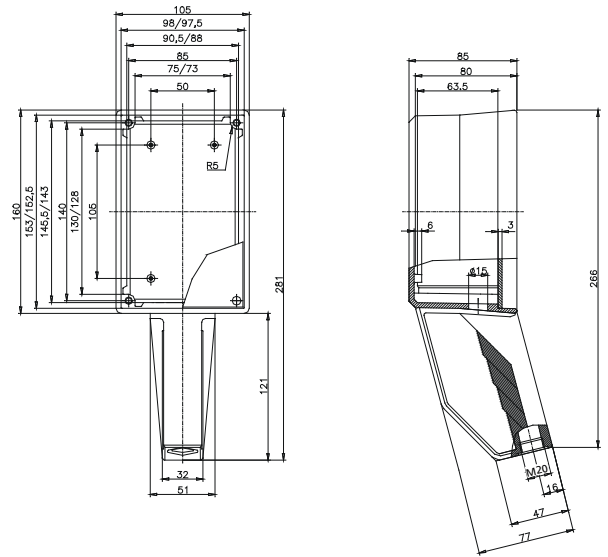


| Type | Order No. | Weight (g) |
|-----------|--------------------|------------|
| Pilot 140 | 29.21 40 00 | 780 |
| Pilot 150 | 29.21 50 00 | 780 |

Pilot 140



Pilot 150



Accessories



Magnetic holder
for Pilot 120 - 150, self-adhesive
dimensions: 90 x 30 x 7.5 mm

Order No. **29. 00 00 80**