



- Design plastic enclosure for communication and automation engineering
- Optional with recess for membrane keypads
- Space for automation components

### Technical data

**Material:**

PC / ABS

**Ingress protection:**

IP 65 to EN 60529

**Colour:**

black (side part silver)

**Temperature range:**

-20°C to +60°C


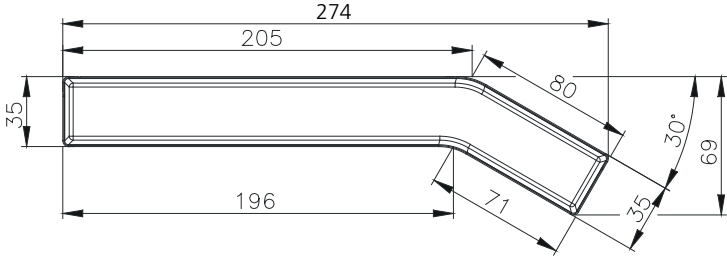
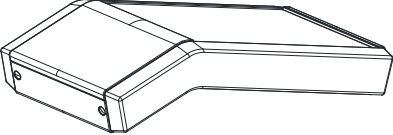
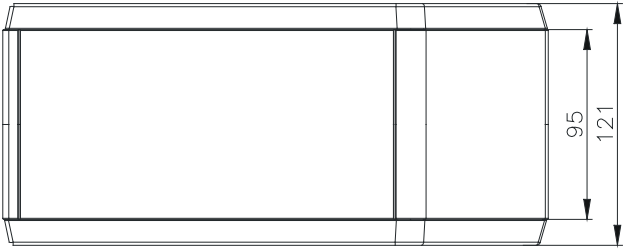

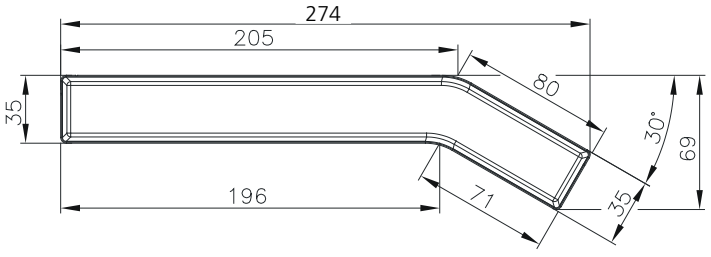
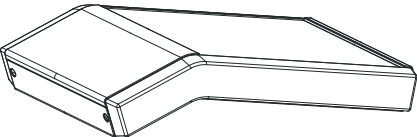
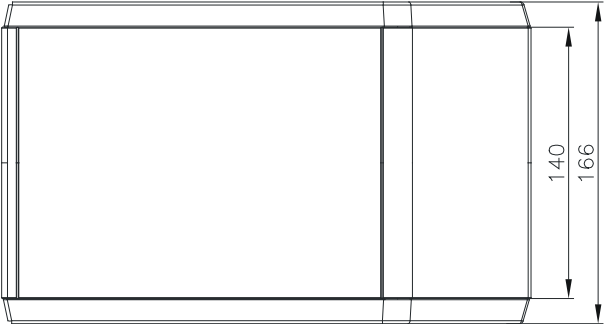
#### Included in delivery

Enclosure with top, base and side elements



# Norvent

## Dimensions

	<p><b>Norvent S</b> Order No. <b>27.04 01 00</b></p>	
		
	<p><b>Norvent L</b> Order No. <b>27.04 02 00</b></p>	
		

# Norvent

## Dimensions

