



- Polyamide hand held enclosures for data acquisition, MCR and automation engineering
- For installations and command devices mobile and stationary applicable
- Variable mounting depths

Technical data

Material:	Enclosure: Polyamide
	Border profile : NBR, black
Ingress protection:	IP 65 to EN 60529
EMC:	Optional
Surface resistance:	10 ¹² Ohm, IEC 60093
Flammability:	UL 94 V-2
Colour:	RAL 7021, black grey
Temperature range:	-20°C to +60°C

Included in delivery:
 Clam shell enclosure with top and base, each with fixing domes incl. seals and border profile, 3 cover flaps for interface garages, screws and fixing materials for front panel mounting.

Limanda

Product range

Order No.	Type	Dimensions (mm) W x L x H	Weight (g)
27.03 03 00	Limanda I	311 x 281 x 72	1200
27.03 03 01	Limanda I EMV	311 x 281 x 72	1200
27.03 03 17	Limanda I für OP17	311 x 281 x 97	1500
27.03 02 00	Limanda II	270 x 248 x 64	800
27.03 02 01	Limanda II EMV	270 x 248 x 64	800

Accessories

	Order No.
Limanda I Aluminium front plate, natural anodized finish	27.03 03 80
Limanda I EMC front plate	27.03 03 90
Limanda II Aluminium front plate, natural anodized finish	27.03 02 80
Limanda II EMC front plate	27.03 02 90
Limanda I intermediate frame	27.03 03 81
Limanda II intermediate frame	27.03 02 81
Limanda II mounting set for Siemens TP 170 / TP 070	27.03 02 82
Limanda I EMC intermediate frame	27.03 00 88
Limanda II EMC intermediate frame	27.03 02 88
Limanda I handle set without push button	27.03 00 83
Limanda holder	27.03 00 84
Limanda carrying strap	27.03 00 85
Limanda carrying strap comfort	27.03 00 92
Limanda I quiver	27.03 00 86
Limanda II table stand (set = 2 pcs.)	27.03 00 87
Limanda II quiver	27.03 00 89
Limanda I quiver with intermediate frame	27.03 00 90
Limanda II quiver with intermediate frame	27.03 00 91
Limanda I handle set with 3 step enabling switch (right-hand version)	27.03 00 71
Limanda I handle set with 3 step enabling switch (left-hand version)	27.03 00 72
Cable connection with bending protection M 16	08.10 01 16
Cable connection with bending protection M 20	08.10 01 20
Cable connection with bending protection M 25	08.10 01 25
Inclining adapter for mounting directly on wall or machine	50.02 00 01
Inclining adapter for mounting directly onto GT 48/2 tube	50.02 00 02
Inclining adapter for mounting directly onto GTK electronic tube	50.02 00 03
Inclining adapter for mounting directly onto GT 48/2 or GTK electronic	50.02 00 04
Inclining adapter for holder onto GT 48/2 tube	50.02 00 05
Inclining adapter for holder onto GTK electronic tube	50.02 00 06
Inclining adapter for holder on wall or machine	50.02 00 07
Push button and switches see page 53 - 58	



Limanda enclosure systems enable installation of many manual operation panels.



Limanda I for OP17 -
Supplied ready for installation of the Siemens OP17 Operator Panel without additional fitting materials.



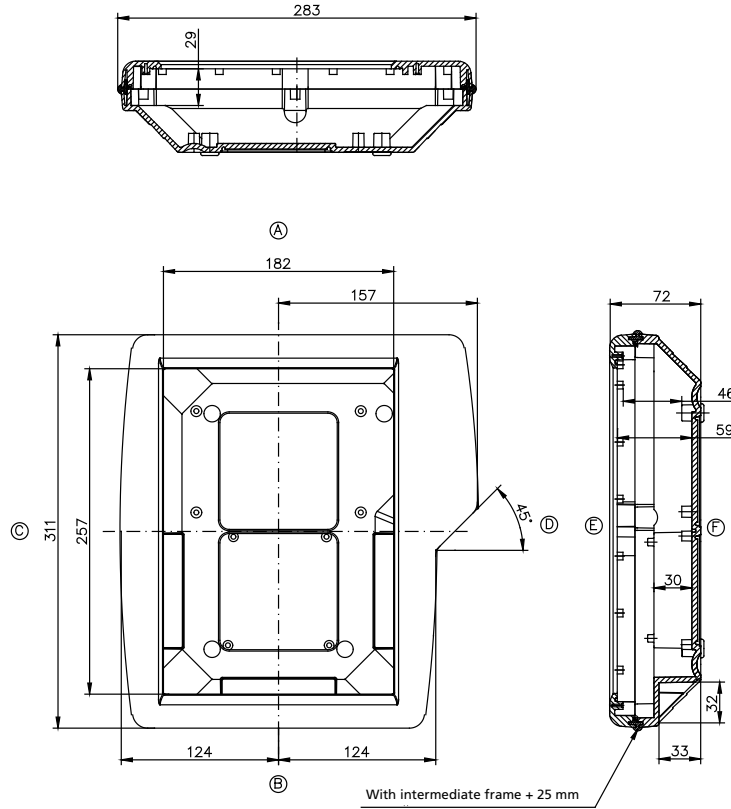
Limanda II
with fitted command unit

Limanda

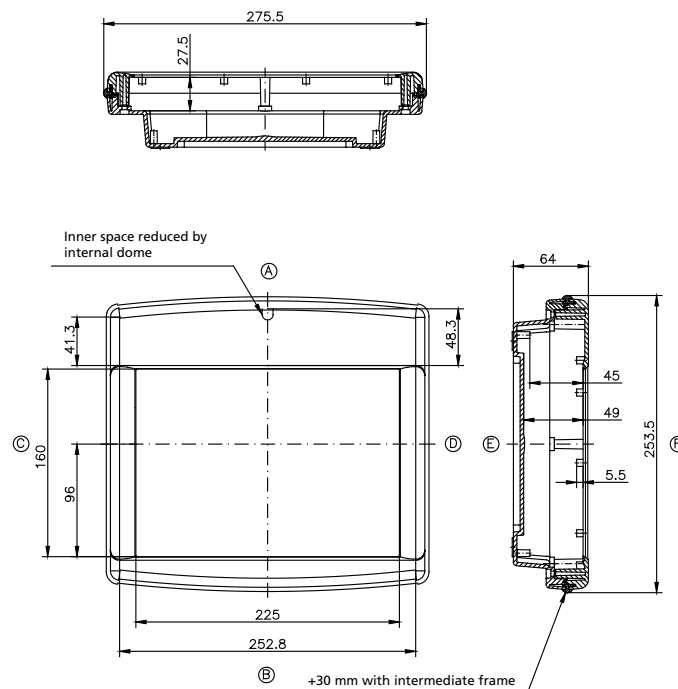
Dimensions



Limanda I
Order No. **27.03 03 00**



Limanda II
Order No. **27.03 02 00**



Limanda

Accessories

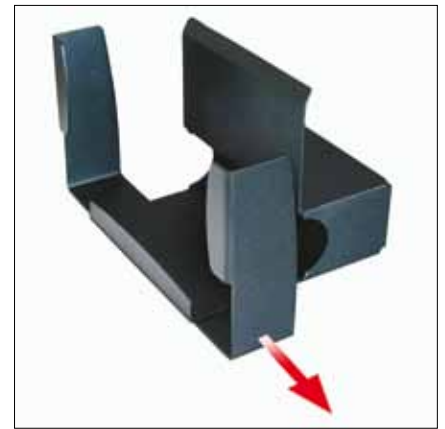
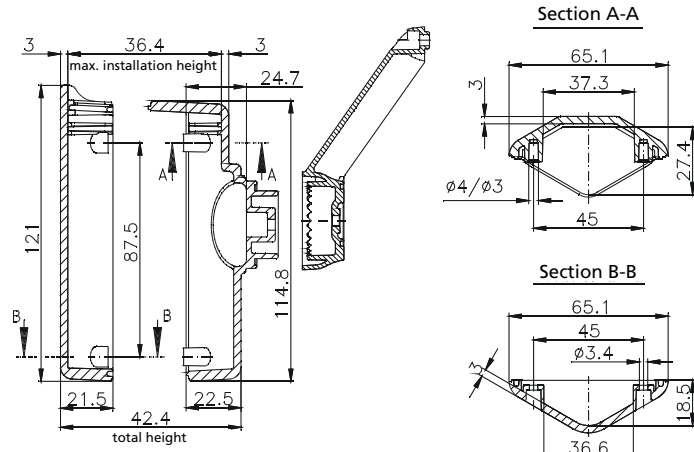


Limanda I handle set without push button

For installation on all four rear corners of the enclosure. The handle incorporates a stepped engaging mechanism which allows it to be optimally adjusted for the operator during installation.

IP 65 once assembled.

Order No. **27.03 00 83**



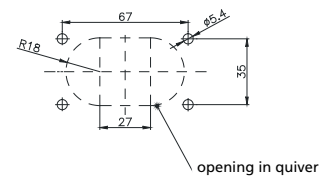
Limanda I handle set with 3-step enabling switch
(2-channel) for use in service, set up and programming operations.
Included in delivery: handle set with fixed enabling switch

Order No.	Type
27.03 00 71	Right-hand version
27.03 00 72	Left-hand version

Technical data see page 53 - 58

Limanda quiver
Wall holder - adjustable in width, can be adapted to inclining adapter.
Material sheet steel.

Order No.	for version
27.03 00 86	Limanda I
27.03 00 89	Limanda II
27.03 00 90	Limanda I with intermediate frame
27.03 00 91	Limanda II with intermediate frame



Limanda

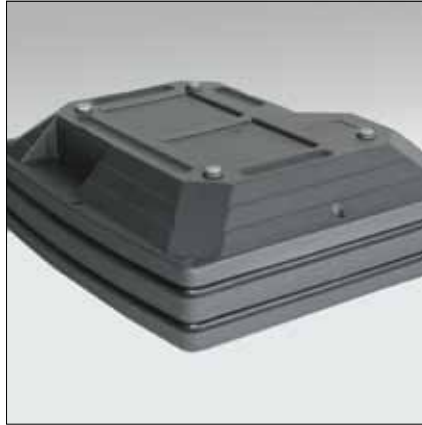
Accessories



Limanda holder

Enables rapid removal of the Limanda from the inclining adapter (for Limanda I and II). There is a gap of 19.5 mm between the Limanda and the holder for assembly purposes.

Order No. **27.03 00 84**



Limanda I intermediate frame

To increase the mounting depth

Order No.	Depth	for version
27.03 03 81	25 mm	Limanda I
27.03 02 81	30 mm	Limanda II
27.03 00 88	25 mm	Limanda I EMC
27.03 02 88	30 mm	Limanda II EMC



Limanda carrying strap

Carrying strap in 2 versions: Standard and comfort: strengthened execution with shoulder pad

Order No.	
27.03 00 85	Carrying strap
27.03 00 92	Carrying strap comfort



Inclining adapter

Order No.	Type	Weight (g)
50.02 00 01	For mounting directly on wall or machine	1286
50.02 00 02	For mounting directly onto GT 48/2 tube	986
50.02 00 03	For mounting directly onto GTK electronic tube	1004
50.02 00 04	For mounting directly onto GT 48/2 or GTK electronic	900

Technical data

Material	2.5 mm sheet steel
Bellow	PVC (T-50M), RAL 9005 (black)
Surface	black powder-coated
Temperature range	-40°C to +60°C
Stepped engaging mechanism	22,5°-steps



Cable connection with bending protection (no lock nut)

Order No.	Type
08.10 01 16	M 16 cable connection with bending protection
08.10 01 20	M 20 cable connection with bending protection
08.10 01 25	M 25 cable connection with bending protection

Technical data

Material	Polyamide
Moulded seal	NBR
Enclosure rating	IP 68 - 5 bar
Temperature range	-20°C to +100°C
Colour	RAL 9005 jet black

Accessories



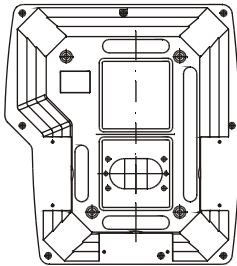
Inclining adapter for holder

Order No.	Type	Weight (g)
50.02 00 05	For mounting directly onto GT 48/2 tube	776
50.02 00 06	For mounting directly onto GTK electronic tube	804
50.02 00 07	For mounting directly on wall or machine	490

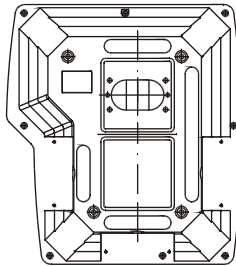
Technical data

Material	2.5 mm sheet steel (black powdered)
Knurled handles	reinforced thermoplastic
Temperature range	-40°C to +60°C

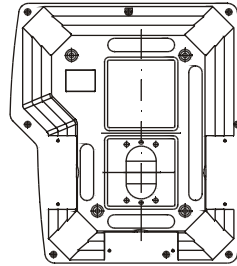
Variant 1



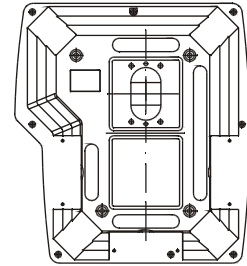
Variant 2



Variant 3



Variant 4



Specific Limanda drilling pattern required!

Dimensions (wall mounted version)

