

## Electro-mechanical components



For assembling of enclosures there is available a huge programme range of switches / push buttons:

- enabling switches
- emergency stop button
- accessories

# Electro-mechanical components



2-step enabling switch (1NO), blue

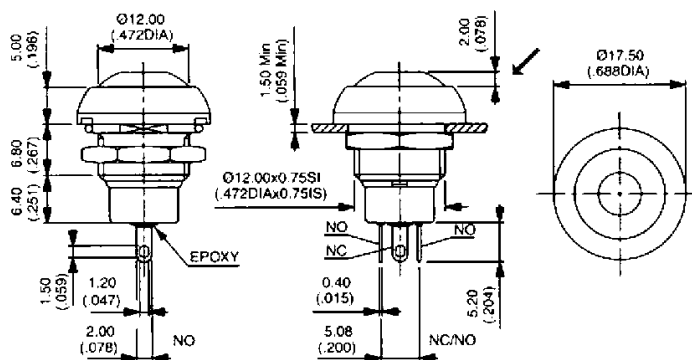
Order No. **83.50 00 10**

2-step enabling switch (1NC/1NO), blue

Order No. **83.50 00 09**

**Technical data**

Contact loading	48 V (AC), 500 mA 250 V (AC), 200 mA 50 V (DC), 200 mA
Ingress protection	IP 67 front side
Temperature range	-40°C to +125°C (no condensation)
Volume resistance	max. 50 mW (initial value)
Service life	≥ 5 x 10 <sup>5</sup> switchings

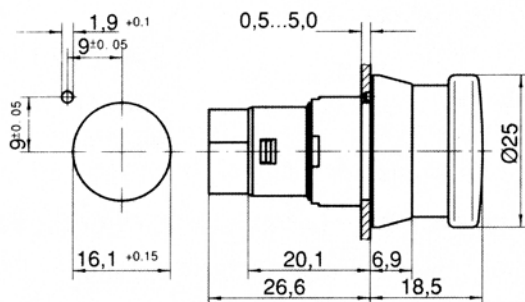


Emergency stop button (2NC),  $\varnothing$  25mm, red

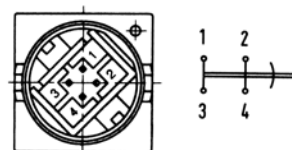
Order No. **83.50 00 02**

**Technical data**

Contact system and fitting	2 NC
Ingress protection	IP 65 front side
Temperature range	-25°C to +70°C (no condensation)
Connections	galvanized, suitable to 4-pole multipoint socket connector
Switching voltage	0,02 to 25 V AC/DC
Switching current	0,1 to 1 A
Volumne resistance	< 100 mW
Duration of bounce	< 10 ms
Service life	> 1,5 x 10 <sup>4</sup> switchings



Connection diagram (view from down)

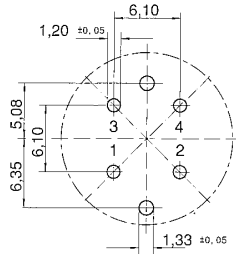


## Elektro-mechanical components



PCB plug-socket for emergency stop button, Ø 25 mm

Order No. **83.90 00 01**



Contact fitting area

- NC 1: Pin 1 - blue  
Pin 2 - black
- NC 2: Pin 3 - blue  
Pin 4 - black



Ribbon cable

10 cm with multipoint socket connector and strip, AMP 4-pole for emergency stop button Ø 25 mm

Order No. **83.90 00 02**

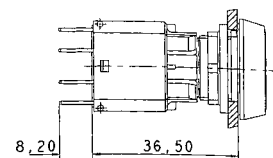
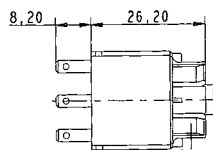
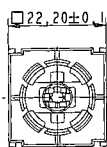
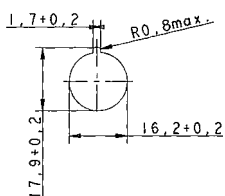


Emergency stop button with switch unit (2NC), Ø 28 mm, red

Order No. **83.50 00 03**

**Technical data**

Contact system and fitting	self cleaning bridge forming contact (Ag), 2 NC
Ingress protection	IP 65 front side
Temperature range	-25°C to +70°C (no condensation)
Connections	Flat plug 2.8 x 0.8
Switching voltage	AC: 250 V / DC: 24 V (further voltage on request)
Switching current	AC: 1,5 A / DC: 2,0 A
Volume resistance	max. 20 mW (initial value)
Service life	≥ 3 x 10 <sup>4</sup> switchings



# Elektro-mechanical components



Emergency stop button (3NC/1NO), Ø 29 mm, red

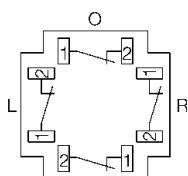
Order No. **83.50 00 04**

Stop push button (3NC/1NO), Ø 29 mm, grey

Order No. **83. 50 00 05**

**Technical data**

Contact system and fitting	obligation-led contacts (3 NC / 1 NO)
Ingress protection	IP 65 front side
Temperature range	-25°C to +60°C (no condensation)
Connections	soldered connection
Switching voltage (direct contact)	AC(12): 250 V / DC(12): 30 V
Switching current (direct contact)	AC(12): 3,0 A / DC(12): 2,0 A
Switching voltage (indirect contact)	AC(12): 250 V / DC(12): 30 V
Switching current (indirect contact)	AC(12): 0,6 A / DC(12): 2,0 A
Volume resistance	max. 50 mW (initial value)
Service life	≥ 1 x 10 <sup>5</sup> switchings



Direct contact

1 NC: connections right

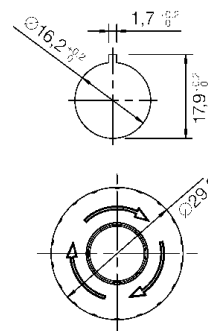
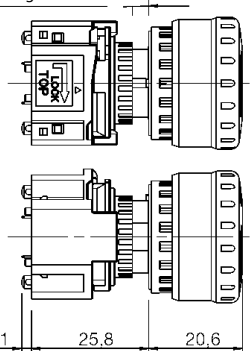
2 NC: connections right and left

3 NC: connections right, left and above

Emergency stop label for command element,  
16 mm, yellow, 4 speeches, 40 x 40 mm

Order No. **83.90 00 07**

front panel strength 0.5 to 3.7



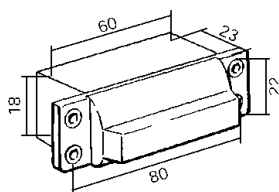
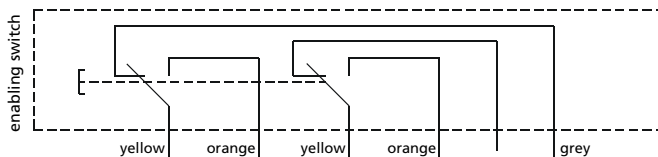
3-steps enabling switches (2 changer), 80 x 22, black

Order No. **83.50 00 06**

**Technical data**

Contact system and fitting	2 main switches (changer)
Contact rating	30 V DC, max. 0,5 A
Ingress protection	IP 65
Temperature range	0°C to +50°C
Fullfilled standards	89/392/EWG; IEC 204-1: EN 60204/DIN VDE 0113; DIN VDE 0110: EN292

**Connection diagram**



enabling switch	yellow	orange	yellow	orange	grey	grey		
evaluator	JSBR4	S13	S14	S24	S23		X2	X3
	JSBT4	S13	S14	S24	S23			
	RT6	S13	S14	S24	S23			
	RT7	S13	S14	S24	S23			
	JSBRT8	A1	S14	S24	A2			
	JSBRT11	S13	S14	S24	S23			
	JSHT2	S13	S14	S24	S23			

## Elektro-mechanical components

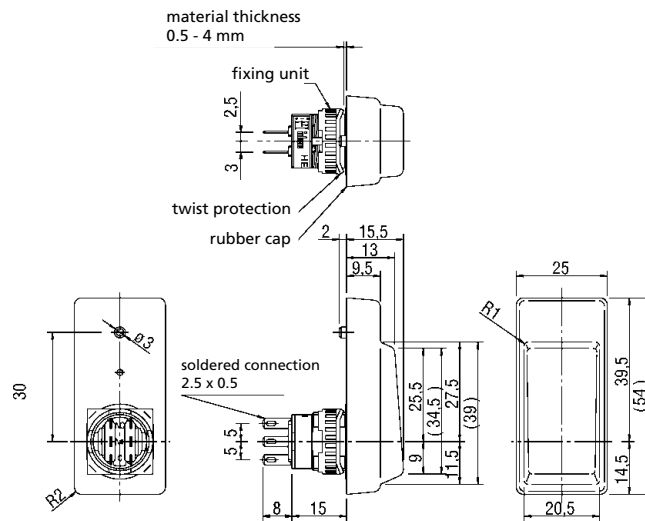
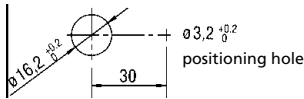


3-steps enabling switches (2 changers), 55 x 25, yellow

Order No. **83.50 00 07**

### Technical data

Contact system and fitting	2 main switches (changer)
Ingress protection	IP 65 (with rubber cap)
Temperature range	-25°C to +60°C (no condensation)
Connections	soldered condensation
Switching voltage	AC(12): 125 V / DC(12): 30 V
Switching current	AC(12): 1,0 A / DC(12): 1,0 A
Volume resistance	max. 50 mW (initial value)
Service life	≥ 1 x 10 <sup>5</sup> switchings

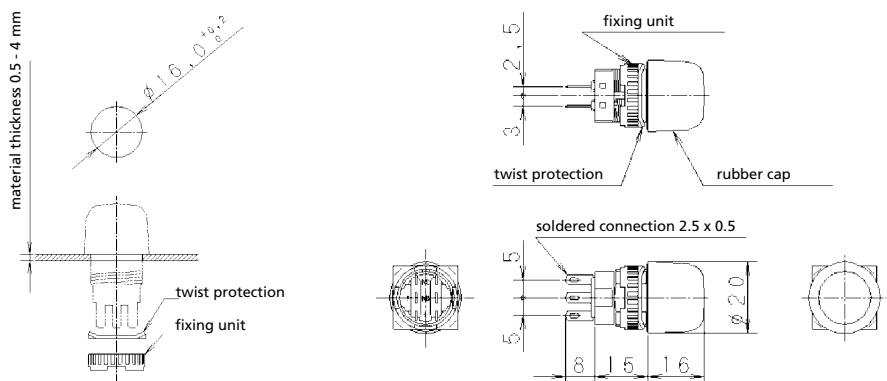


3-steps enabling switches (2 changer),  $\varnothing 20$  mm, yellow

Order No. **83.50 00 08**

### Technical data

Contact system and fitting	2 main switches (changer)
Ingress protection	IP 65 (with rubber cap)
Temperature range	-10°C bis +60°C (no condensation)
Connections	soldered connection
Switch voltage	AC(12): 125 V / DC(12): 30 V
Switch current	AC(12): 0,5 A / DC(12): 1,0 A
Volume resistance	max. 50 mW (initial value)
Service life	≥ 1 x 10 <sup>5</sup> switchings



# Elektro-mechanical components

## Product allocation

Products	2-steps enabling switches (1NO), blue	2-steps enabling switches (1NC/1NO), blue	Emergency stop button (2NC), Ø 25 mm, red	PCB-plug-socket for emergency stop button Ø 25 mm	Ribbon cable 10 cm with multipoint socket connector and strip, AMP 4-pole for emergency stop button Ø 25 mm	Emergency stop button with contact block (2NC), Ø 28 mm, red
Order No.	<b>83.50 00 10</b>	<b>83.50 00 09</b>	<b>83.50 00 02</b>	<b>83.90 00 01</b>	<b>83.90 00 02</b>	<b>83.50 00 03</b>
Taguan 130			x	x	x	
Taguan 180			x	x	x	
Taguan 230			x	x	x	
Beluga 180	x	x	x	x	x	x
Beluga 220	x	x	x	x	x	x
Beluga 380	x	x	x	x	x	x
Pilot 250	x	x	x	x	x	x
Pilot 50			x	x	x	x
Pilot 10			x	x	x	x
Pilot 20			x	x	x	x
Pilot 30			x	x	x	x
Pilot 110			x	x	x	x
Pilot 120			x	x	x	x
Pilot 130			x	x	x	x
Pilot 140			x	x	x	x
Limanda I Griffset	x	x				
Limanda I	x	x	x	x	x	x
Limanda II	x	x	x	x	x	x
Norvent	x	x	x	x	x	x

Products	Emergency stop button (3NC/1NO), Ø 29 mm, red	Stop button (3NC/1NO), Ø 29 mm, grey	3-steps enabling switches (2 changer), 80 x 22, black	3-steps enabling switches (2 changer), 55 x 25, yellow	3-steps enabling switches (2 changer), Ø 20 mm, yellow
Order No.	<b>83.50 00 04</b>	<b>83.50 00 05</b>	<b>83.50 00 06</b>	<b>83.50 00 07</b>	<b>83.50 00 08</b>
Taguan 130					
Taguan 180					
Taguan 230					
Beluga 180	x	x			
Beluga 220	x	x			x
Beluga 380	x	x			
Pilot 250	x	x	x	x	x
Pilot 50	x	x			
Pilot 10	x	x			x
Pilot 20	x	x			
Pilot 30	x	x			
Pilot 110	x	x			x
Pilot 120	x	x			
Pilot 130	x	x			
Pilot 140	x	x			
Limanda I Griffset			x		x
Limanda I	x	x	x		x
Limanda II	x	x	x	x	x
Norvent	x	x	x	x	x