

Beluga 180/220



- Polyamide hand held enclosure for MCR- and automation engineering
- Version with or without display opening
- Prepared for acceptance of keypads/silicone switch mats
- Optional EMC version with internal coating and EMC seal

Technical data

Material:

Polyamide

Ingress protection:

IP 65 to EN 60529

Surface resistance:

10¹² Ohm, IEC 60093

Flammility:

UL 94 V-2

Colour:

RAL 7021, black grey

Temperature range:

-40°C to +60°C

Included in delivery

Double-skinned enclosure with top and base unit, each with fixing domes, fastening and enclosure screws.
Open version incl. display screen and punched seal.

Beluga 180/220

Product range

Type	Order No.	Version	Dimensions W x L x H (mm)	Weight (g)
Beluga 180 O	27.02 02 00	open	106/75 x 187 x 50	290
Beluga 180 G	27.02 02 01	closed	106/75 x 187 x 50	228
Beluga 220 O	27.02 04 00	open	116/85 x 220 x 51	262
Beluga 220 G	27.02 04 01	closed	116/85 x 220 x 51	254

Accessories

Hook set without magnet	27.02 00 80
Hook set with magnet	27.02 00 81
Keypad FT 180b, 15 keys, printed (Matrix) (B 180)	82.10 00 03
Keypad FT 180e, 15 keys, with insert (Matrix) (B 180)	82.10 00 04
Keypad FT 220b, 18 keys, printed (Matrix) (B 220)	82.10 00 05
Keypad FT 220e, 18 keys, with insert (Matrix) (B 220)	82.10 00 06
Keypad FT 180ge, 12 keys, with insert (common connection) (B 180)	82.10 00 07
Connector (B 180)	82.20 00 08
Connector (B 220)	82.20 00 09
Display fixing set (B 180)	27.01 06 80
Display fixing set (B 220)	27.02 04 82
Cable gland with bending protection M 16 x 1,5	08.10 01 16
Cable gland with bending protection M 20 x 1,5	08.10 01 20
Hand strap	27.02 00 83
Spare screw set	27.02 00 82
Spare display screen set (B 180)	27.01 06 88
Spare display screen set (B 220)	27.02 04 83
Battery compartment without contacts	27.02 00 85
Battery holder for 4 round cells for battery compartment	27.02 00 86
Battery holder for 9 V monobloc for battery compartment	27.02 00 87
Wall holder set (B 180/220)	27.02 00 84
Enabling switch 2-step, blue	83.50 00 10
Scratch resistant display screen	on request
Push-button and switches see page 53 - 58	



Electromechanical components

On request, we offer the enclosures ready equipped with electromechanical components such as emergency stop button, confirm keys, hand wheel, step switch, display.

Components mounting options

Component options	Type B180 O	Type B180 G	Type B220 O	Type B220 G
Display max. view area 42 x 65 mm max. mounting dimensions 56,4 x 74 mm or 54 x 80 mm	•			
Display max. view area 49 x 78 mm max. mounting dimensions 71,5 x 84 mm or 70,5 x 86 mm			•	
Emergency stop button	•	•	•	•
Confirm key	•	•	•	•
Hand wheel		•		•
Step switch		•		•
Joy stick	•		•	
Cable outlet up to M 16	•	•	•	•
Cable outlet up to M 20			•	•
1st board (main board)	•	•	•	•
Other boards	•	•	•	•

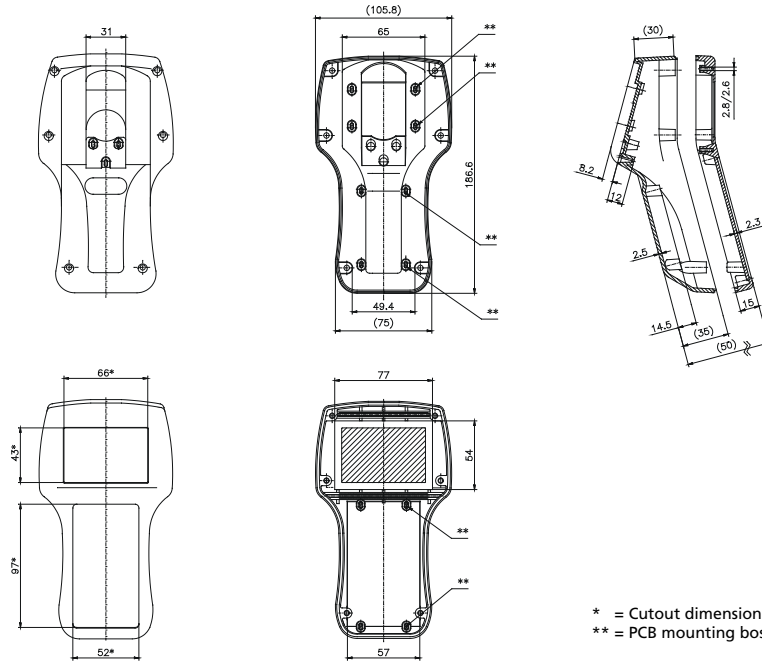
Beluga 180/220

Dimensions



Type	Version	Order No.
Beluga 180 O	open	27.02 02 00
Beluga 180 G	closed	27.02 02 01

(max. PCB size of displays ca. 74 x 56,4 mm or 80 x 54 mm)

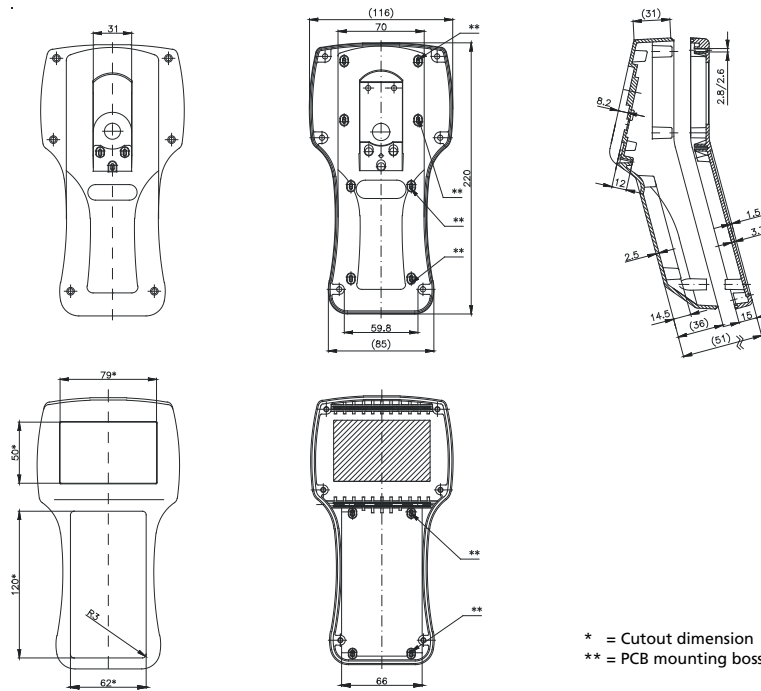


* = Cutout dimension
 ** = PCB mounting boss (screw 3 x 8)



Type	Version	Order No.
Beluga 220 O	open	27.02 04 00
Beluga 220 G	closed	27.02 04 01

(max. PCB size of displays ca. 84 x 71,5 mm or 86 x 70,5 mm)



* = Cutout dimension
 ** = PCB mounting boss (screw 3 x 8)

Beluga 180/220

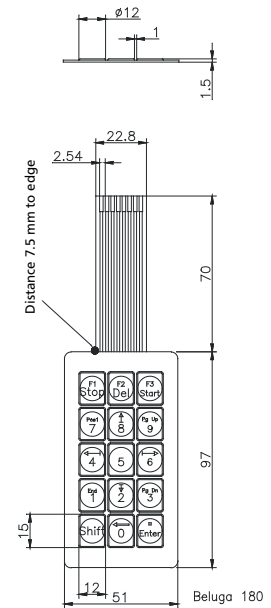
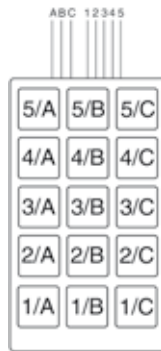
Accessories



Keypads for Beluga 180

Standard membrane keypad with 15 keys as printed version or plain. Insertion facility for custom inscription

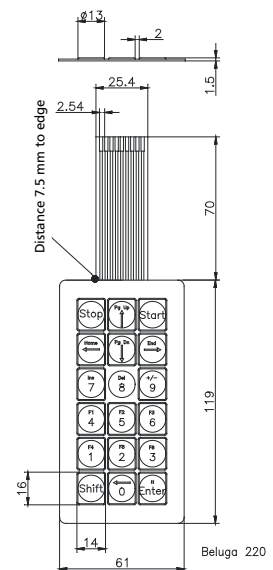
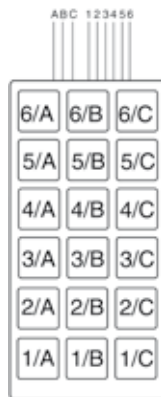
Type	Version	Order No.
FT 180b	15 keys, Matrix printed	82.10 00 03
FT 180e	15 keys, Matrix with insert	82.10 00 04
	Connector	82.20 00 08



Keypads for Beluga 220

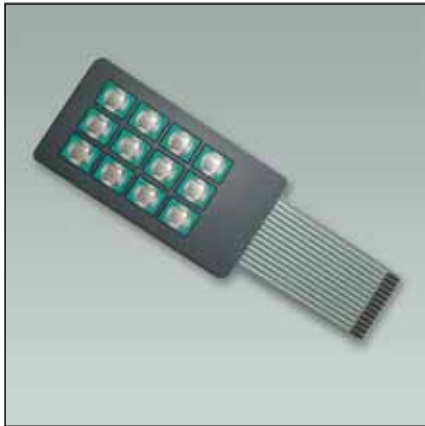
Standard membrane keypad with 18 keys as printed version or plain. Insertion facility for custom inscription

Type	Version	Order No.
FT 220b	18 keys, Matrix printed	82.10 00 05
FT 220e	18 keys, Matrix with insert	82.10 00 06
	Connector	82.20 00 09



Beluga 180/220

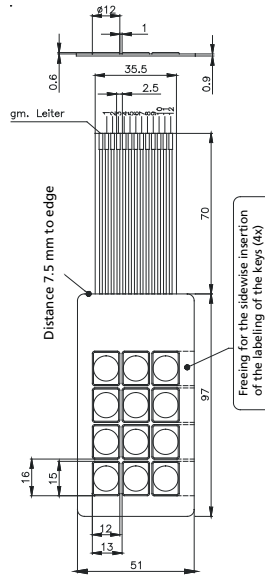
Accessories



Keypads for Beluga 180

Standard membrane keypad with 12 keys as plain version. Insertion facility for custom inscription

Type	Version	Order No.
FT 180ge	12 keys, with insert (common connection)	82.10 00 07



Hook set
consisting of mounted hook and fixing screws

Version	Order No.
without magnet	27.02 00 80
with magnet	27.02 00 81



Display fixing set
for variable display mounting

Version for	Order No.
Beluga 180	27.01 06 80
Beluga 220	27.02 04 82



Battery compartment
without contacts

Order No. **27.02 00 85**

Adhesion by version with magnet

plate thickness	force
2 mm	20 N
5 mm	30 N

Applications



Beluga 380

Product range

Type	Order No.	Version	Dimensions W x L x H (mm)	Weight (g)
Beluga 380	27.02 05 01	closed	380 x 117 x 68	670

Accessories

Cable gland with bending protection M 16 x 1,5	08.10 01 16
Cable gland with bending protection M 20 x 1,5	08.10 01 20
Carrying strap	27.02 05 80
Hand strap	27.02 05 81
Wall holder set, stainless steel	27.02 05 82
Spare screw set	27.02 05 83
Push-button and switches see page 53 - 58	



Wall holder set

stainless steel angle bracket set,
+/- 45° inclination slope adjustable by means of
knurled screws.

Order No. **27.02 05 82**



Electromechanical components

On request, we can supply equipment fitted
with electro-mechanical components such as
emergency stop button, acknowledge keys,
hand wheel, switches, display

Component mounting options

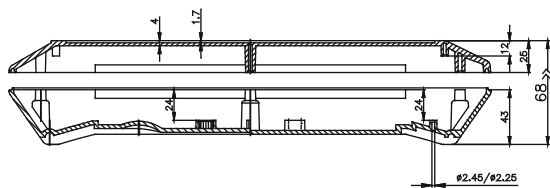
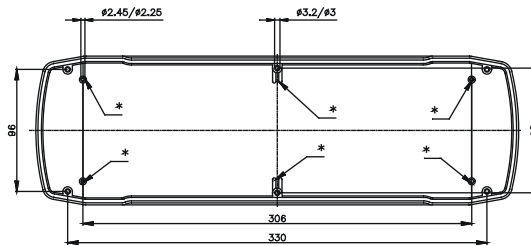
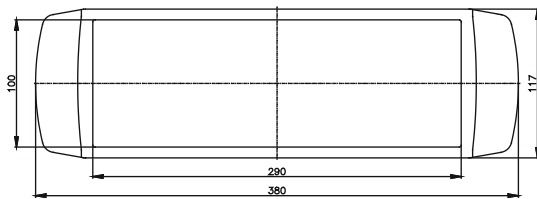
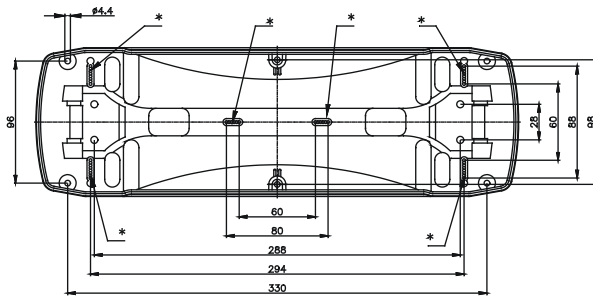
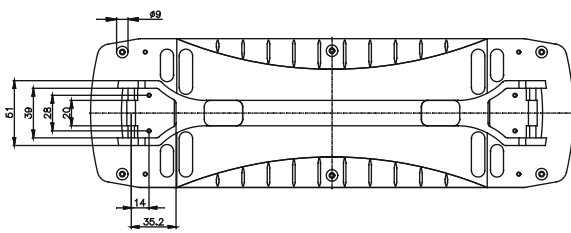
Component options	Type B380
Display (max. view area / max. mounting dimensions see drawing on page 53 - 58)	•
Emergency stop button	•
Confirm key	•
Enabling switch	•
Hand wheel	•
Step switch	•
Joy stick	•
Cable outlet up to M 20	•
1st board (main board)	•
Other boards	•

Beluga 380

Dimensions



Type	Version	Order No.
Beluga 380	closed	27.02 05 01



* = PCB mounting boss (screw 3 x 8)

Beluga 380



Large displays mounted (1/4 VGA)



Integrated hook set



Large mounting space for electronic devices



Hook set, can be used as a stand