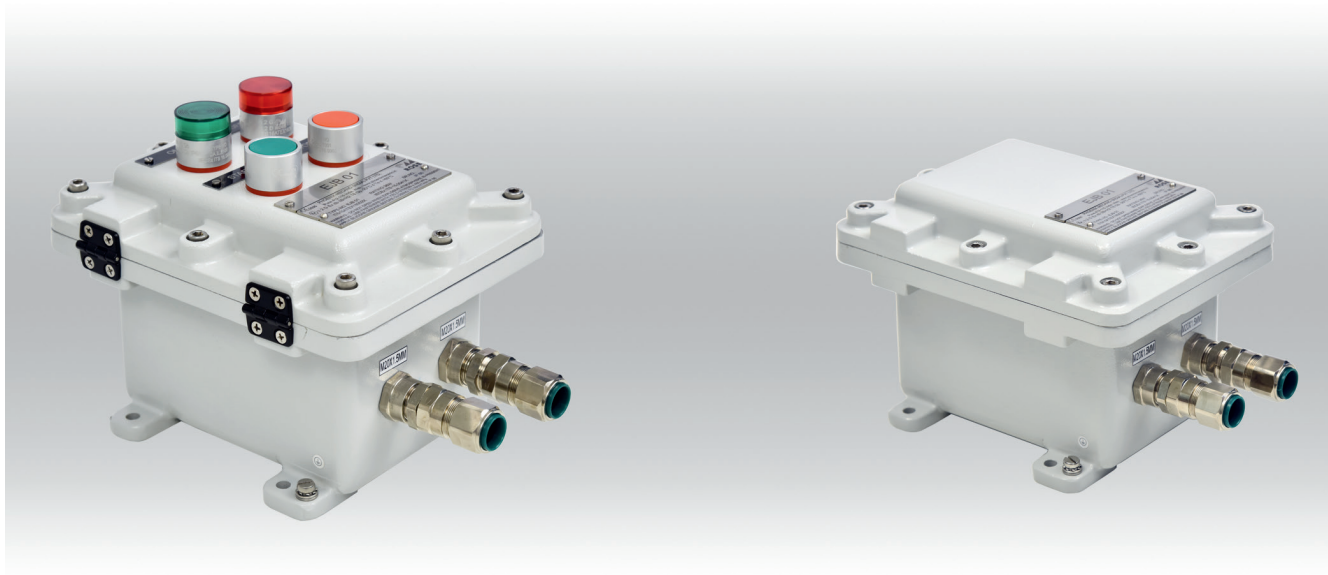


## Ex d IIB+H<sub>2</sub> Enclosure Series EJB



- + Flameproof aluminium or stainless steel enclosure system suitable for assembly of terminals, switches and components
- + Window optional
- + External flameproof joint
- + For gas group IIB + H<sub>2</sub>

### Included in delivery

Enclosure system consisting of base and screwed lid, external earth connection, hinge and external brackets

### Technical data

Explosion protection	II 2 G Ex db IIB + H <sub>2</sub> T6/T5 Gb II 2 D Ex tb IIIC T80 °C... T95 °C Db
Certificates	ITS 15 ATEX 18302X IECEx ITS 15.0041X
Material	Copper free aluminium Stainless steel 1.4404/316L
Colour	Aluminium: RAL 7035, light grey Stainless steel: unpainted, painting on request
Ingress protection	IP66 to EN 60529
Impact resistance	7 Joule to EN 60079-0
Temperature range	-20 °C to +75 °C



## Ex d IIB+H<sub>2</sub> Enclosure Series EJB

### Product overview

Order No.	Type	External dimensions H x W x D (mm)	Internal dimensions H x W x D (mm)	Max. rated current (A)	Max. conductor size (mm <sup>2</sup> )	Weight (g)
<b>Aluminium</b>						
40.10 30 10	EJB 01 AL	220 x 170 x 152	150 x 100 x 119	76	16	4300
40.10 30 20	EJB 02 AL	270 x 220 x 158	200 x 150 x 125	125	35	6600
40.10 30 30	EJB 03 AL	320 x 270 x 166	250 x 200 x 129	232	95	10100
40.10 30 60	EJB 06 AL	490 x 440 x 250	400 x 350 x 195	415	240	30200
40.10 30 90	EJB 09 AL	780 x 580 x 440	650 x 450 x 361	935	630	115000
40.10 31 00	EJB 10 AL	980 x 680 x 487	850 x 550 x 387	1055	1000	202000
<b>Stainless Steel</b>						
40.20 30 10	EJB 01 SS	220 x 170 x 152	150 x 100 x 119	76	16	12600
40.20 30 20	EJB 02 SS	270 x 220 x 158	200 x 150 x 125	125	35	19600
40.20 30 30	EJB 03 SS	320 x 270 x 166	250 x 200 x 129	232	95	30300

### Accessories

Order No.	Mounting plate	Dimensions H x W x D (mm)
40.10 30 10	40.30 30 10	142 x 92 x 1.5
40.10 30 20	40.30 30 20	192 x 142 x 1.5
40.10 30 30	40.30 30 30	242 x 192 x 1.5
40.10 30 60	40.30 30 60	375 x 325 x 1.5
40.10 30 90	40.30 30 90	590 x 390 x 1.5
40.10 31 00	40.30 31 00	780 x 480 x 1.5
40.20 30 10	40.30 30 10	142 x 92 x 1.5
40.20 30 20	40.30 30 20	192 x 142 x 1.5
40.20 30 30	40.30 30 30	242 x 192 x 1.5

### Terminal mounting

DIN rail	Phoenix Contact													
	TS 35	TS 35	TS 35	TS 35	TS 35	TS 35	TS 35	TS 35	TS 35	TS 35	TS 35	TS 35	TS 35	TS 35
Rated nominal cross section (mm <sup>2</sup> )	2,5	4	6	10	16	25	35	50	70	95	120	150	185	240
Rated voltage (V)	690	690	690	690	690	690	690	690	880	880	1100	1100	1100	1100
Terminal width (mm)	5.2	6.2	8.2	10.2	12.2	16.2	16.2	20	25	25	31	31	36	36
Terminal type														
Enclosure type	UT 2,5	UT 4	UT 6	UT 10	UT 16	UT 35	UT 35	UKH 50	UKH 95	UKH 95	UKH 150	UKH 150	UKH 240	UKH 240
40.10 30 10	20	16	8	6	4									
40.10 30 20	30	24	12	10	8	6	6							
40.10 30 30	40	32	16	12	10	8	8	6	4	4				
40.10 30 60	100	82	64	50	42	32	32	15	12	12	9	9	8	8
40.10 30 90	240	204	160	124	104	76	76	30	24	24	20	20	16	16
40.10 30 00	390	325	250	200	165	125	125	60	48	48	24	24	22	22
40.20 30 10	20	16	8	6	4									
40.20 30 20	30	24	12	10	8	6	6							
40.20 30 30	40	32	16	12	10	8	8	6	4	4				

Other suppliers on request



## Ex d IIB+H<sub>2</sub> Enclosure Series EJB

### Technical details

Power dissipation in Watt

Type	Temperature class	T6			T5					T4		
		T80 °C			T95 °C					T130 °C		
	Maximum surface temperature											
	Maximum ambient temperature	+40 °C	+50 °C	+60 °C	+40 °C	+50 °C	+55 °C	+60 °C	+75 °C	+40 °C	+50 °C	+60 °C
EJB 01 AL	Maximum allowed power loss	60 W		36 W			60 W		36 W			
EJB 02 AL		76 W		42 W			76 W		42 W			
EJB 03 AL		87 W		60 W			87 W		60 W			
EJB 06 AL		209 W	166 W	114 W	338 W	260 W		206 W		584 W	514 W	436 W
EJB 09 AL		467 W	319 W	236 W	728 W	555 W		353 W		1238 W	1145 W	956 W
EJB 10 AL		726 W	568 W	400 W	1085 W	864 W		712 W		2038 W	1709 W	1454 W
EJB 01 SS		60 W		36 W			60 W		36 W			
EJB 02 SS		76 W		42 W			76 W		42 W			
EJB 03 SS		87 W		60 W			87 W		60 W			

Assembly possibilities on lid

Type	Control equipment	Window (mm)								
		44 x 44	68 x 68	92 x 92	140 x 140	186 x 186	234 x 234	280 x 280	328 x 376	376 x 376
EJB 01 AL	4	1								
EJB 02 AL	9	4	1	1						
EJB 03 AL	16	9	4	1	1					
EJB 06 AL	49	25	9	4	1	1	1			
EJB 09 AL	88	56	20	12	4	2	1	1	1	
EJB 10 AL	150	90	36	20	9	4	2	1	1	1
EJB 01 SS	4	1								
EJB 02 SS	9	4	1	1						
EJB 03 SS	16	9	4	1	1					

Maximum number of cable glands



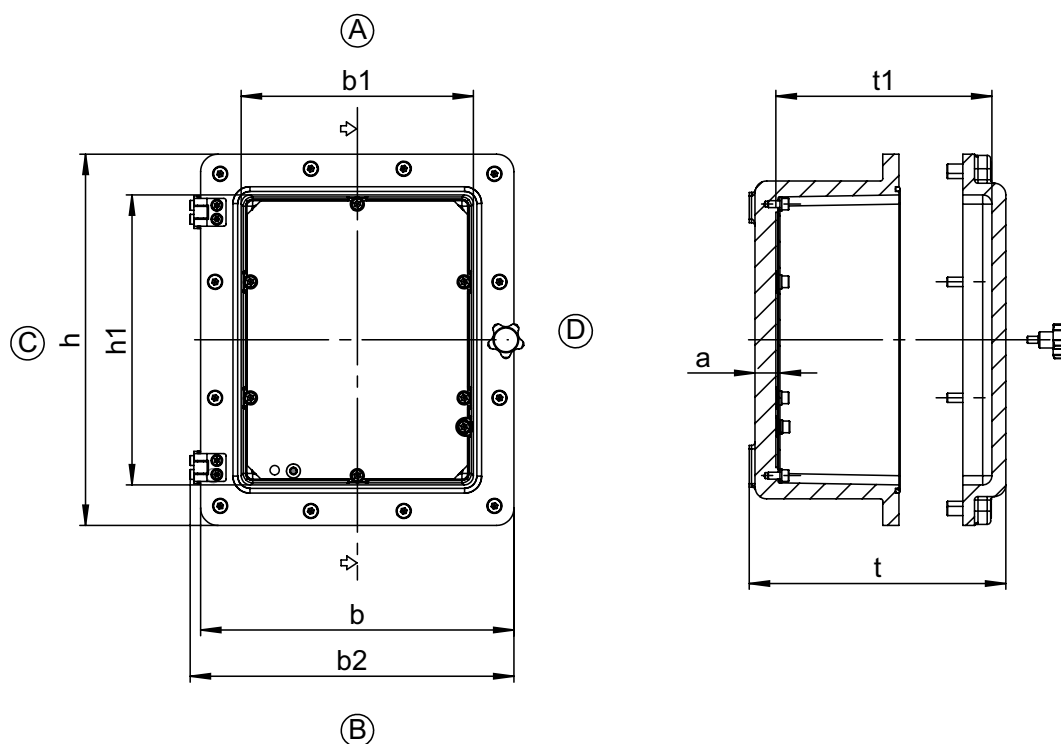
M	NPT	Side	Type								
			EJB 01 AL	EJB 02 AL	EJB 03 AL	EJB 06 AL	EJB 09 AL	EJB 10 AL	EJB 01 SS	EJB 02 SS	EJB 03 SS
20	1/2"	A/B	4	6	8	21	54	66	4	6	8
20	1/2"	C/D	6	8	10	24	84	108	6	8	10
25	3/4"	A/B	2	4	6	17	33	54	2	4	6
25	3/4"	C/D	4	5	8	20	54	90	4	5	8
32	1"	A/B	1	3	4	11	28	36	1	3	4
32	1"	C/D	2	4	5	12	43	60	2	4	5
40	1 1/4"	A/B		2	3	8	18	28		2	3
40	1 1/4"	C/D		3	3	10	28	44		3	3
50	1 1/2"	A/B			2	4	12	18			2
50	1 1/2"	C/D			3	5	21	28			3
63	2"	A/B				3	11	15			
63	2"	C/D				4	17	24			
75	2 1/2"	A/B				3	6	9			
75	2 1/2"	C/D				3	9	15			
90	3"	A/B					5	7			
90	3"	C/D					8	12			
100	4"	A/B					5	6			
100	4"	C/D					7	10			



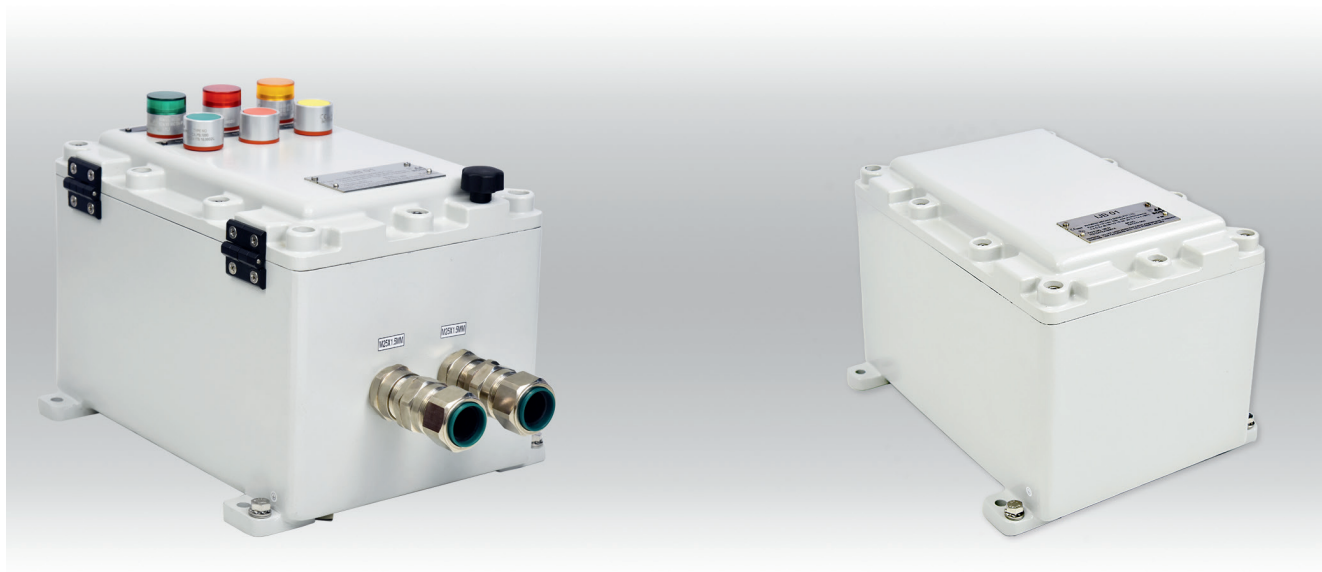
# Ex d IIB+H<sub>2</sub> Enclosure Series EJB

## Dimensions

Order No.	b	h	t	b1	h1	t1	a	h2
40.10 30 10	170	220	152	100	150	121	19,5	181
40.10 30 20	220	270	158	150	200	127	19,5	229
40.10 30 30	270	320	161	200	250	131	21,5	279
40.10 30 60	440	490	250	350	400	195	32,5	449
40.10 30 90	580	780	440	450	650	360	47,5	589
40.10 31 00	680	980	487	550	850	387	59,5	689
40.20 30 10	170	220	152	100	150	121	19,5	181
40.20 30 20	220	270	158	150	200	127	19,5	229
40.20 30 30	270	320	161	200	250	131	21,5	279



## Ex d IIB+H<sub>2</sub> Enclosure Series IJB



- + Flameproof aluminium enclosure system suitable for assembly of terminals, switches and components
- + Combination of several enclosures possible due to internal flameproof joint
- + Window optional
- + For gas group IIB + H<sub>2</sub>

### Included in delivery

Enclosure system consisting of base and lid with screws, external earth connection, hinge and external brackets

### Technical data

Explosion protection	II 2 G Ex db IIB + H <sub>2</sub> T6/T5/T4 Gb II 2 D Ex tb IIIC T80 °C...T130 °C Db
Certificates	ITS 15 ATEX 18301X IECEX ITS 15.0043X
Material	Copper free aluminium
Ingress protection	IP66 to EN 60529
Impact resistance	7 Joule to EN 60079-0
Temperature range	-20 °C to +75 °C



## Ex d IIB+H<sub>2</sub> Enclosure Series IJB

### Product overview

Order No.	Type	External dimensions H x W x D (mm)	Internal dimensions H x W x D (mm)	Weight (g)
40.10 40 10	IJB 01 AL	320 x 220 x 223	296 x 196 x 185	12100
40.10 40 20	IJB 02 AL	370 x 270 x 225	346 x 246 x 185	15700
40.10 40 30	IJB 03 AL	420 x 320 x 247	392 x 292 x 203	22900
40.10 40 40	IJB 04 AL	470 x 370 x 249	442 x 342 x 200	29700
40.10 40 50	IJB 05 AL	530 x 430 x 283	498 x 398 x 222	47000
40.10 40 60	IJB 06 AL	630 x 530 x 288	594 x 494 x 221	70100

### Accessories

Order No.	Mounting plate	Dimensions H x W x D (mm)
40.10 40 10	40.30 40 10	245 x 145 x 1,5
40.10 40 20	40.30 40 20	295 x 195 x 1,5
40.10 40 30	40.30 40 30	345 x 245 x 1,5
40.10 40 40	40.30 40 40	395 x 295 x 1,5
40.10 40 50	40.30 40 50	445 x 345 x 1,5
40.10 40 60	40.30 40 60	545 x 445 x 1,5

### Terminal mounting

DIN rail	Phoenix Contact													
	TS 35	TS 35	TS 35	TS 35	TS 35	TS 35	TS 35	TS 35	TS 35	TS 35	TS 35	TS 35	TS 35	TS 35
Rated nominal cross section (mm <sup>2</sup> )	2,5	4	6	10	16	25	35	50	70	95	120	150	185	240
Rated voltage (V)	690	690	690	690	690	690	690	690	880	880	1100	1100	1100	1100
Terminal width (mm)	5.2	6.2	8.2	10.2	12.2	16.2	16.2	20	25	25	31	31	36	36
Terminal type														
Enclosure type	UT 2,5	UT 4	UT 6	UT 10	UT 16	UT 35	UT 35	UKH 50	UKH 95	UKH 95	UKH 150	UKH 150	UKH 240	UKH 240
40.10 40 10	40	32	20	16	12	8	8							
40.10 40 20	60	50	27	21	18	12	12	8	4	4				
40.10 40 30	80	66	34	26	21	15	15	10	6	6	4	4		
40.10 40 40	100	82	34	32	25	18	18	12	10	10	8	8	4	4
40.10 40 50	120	82	46	32	30	18	18	15	12	12	9	9	6	6
40.10 40 60	160	132	60	46	38	28	28	20	16	16	12	12	9	9

Other suppliers on request



## Ex d IIB+H<sub>2</sub> Enclosure Series IJB

### Technical details

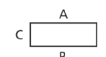
Power dissipation in Watt

Type	Temperature class	T6			T5					T4		
		T80 °C			T95 °C					T130 °C		
	Maximum surface temperature											
	Maximum ambient temperature	+40 °C	+50 °C	+60 °C	+40 °C	+50 °C	+55 °C	+60 °C	+75 °C	+40 °C	+50 °C	+60 °C
IJB 01 AL	Maximum allowed power loss	108 W		56 W			108 W		56 W			
IJB 02 AL		120 W		72 W			120 W		72 W			
IJB 03 AL		145 W		76 W			145 W		76 W			
IJB 04 AL		198 W	150 W	95 W	280 W	220 W		160 W		480 W	430 W	360 W
IJB 05 AL		300 W	200 W	136 W	408 W	309 W		241 W		659 W	586 W	491 W
IJB 06 AL		332 W	218 W	155 W	473 W	400 W		282 W		894 W	818 W	636 W

Assembly possibilities on lid

Type	Control equipment	Window (mm)									
		44 x 44	68 x 68	92 x 92	92 x 140	140 x 140	140 x 186	186 x 186	234 x 234	280 x 280	376 x 376
IJB 01 AL	12	6	2	1	1						
IJB 02 AL	20	12	4	2	1	1	1				
IJB 03 AL	30	16	4	4	2	1	1	1			
IJB 04 AL	42	25	9	4	2	1	1	1	1		
IJB 05 AL	56	36	16	9	6	4	2	1	1	1	
IJB 06 AL	90	64	25	16	8	4	4	4	1	1	1

Maximum number of cable glands



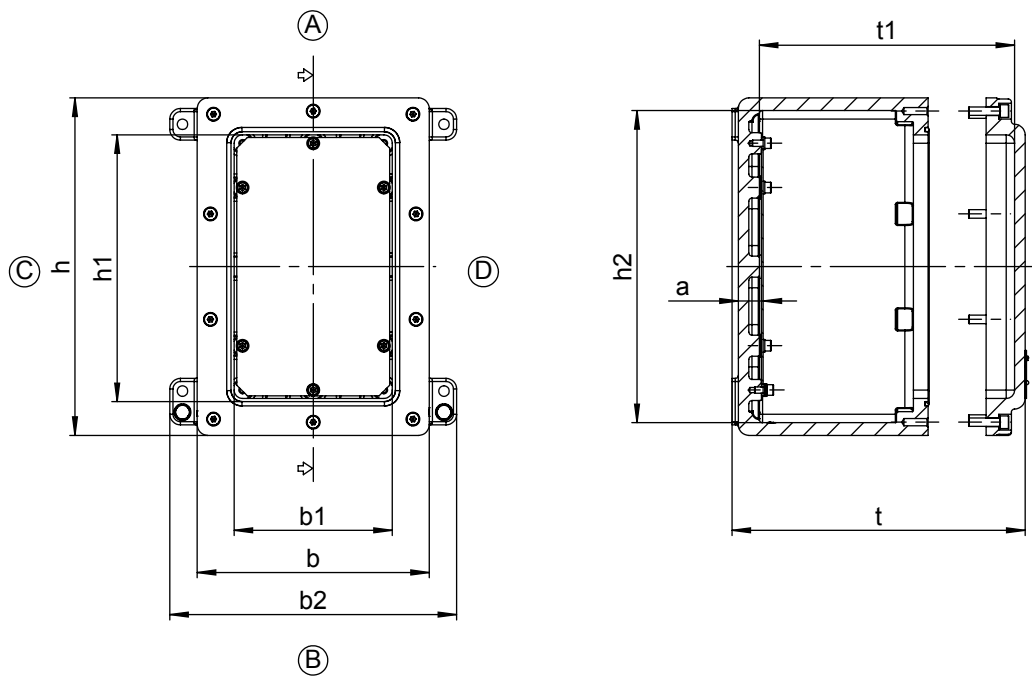
M	NPT	Side	Type					
			IJB 01 AL	IJB 02 AL	IJB 03 AL	IJB 04 AL	IJB 05 AL	IJB 06 AL
20	1/2"	A/B	11	14	18	22	32	40
20	1/2"	C/D	17	20	24	28	40	48
25	3/4"	A/B	6	9	14	17	20	26
25	3/4"	C/D	11	14	20	23	26	30
32	1"	A/B	5	6	9	11	17	23
32	1"	C/D	8	9	14	15	23	26
40	1 1/4"	A/B	3	5	6	8	11	14
40	1 1/4"	C/D	6	8	9	11	14	17
50	1 1/2"	A/B	2	3	4	5	8	9
50	1 1/2"	C/D	3	4	6	7	9	11
63	2"	A/B			3	4	5	7
63	2"	C/D			4	5	7	8
75	2 1/2"	A/B					3	4
75	2 1/2"	C/D					4	5



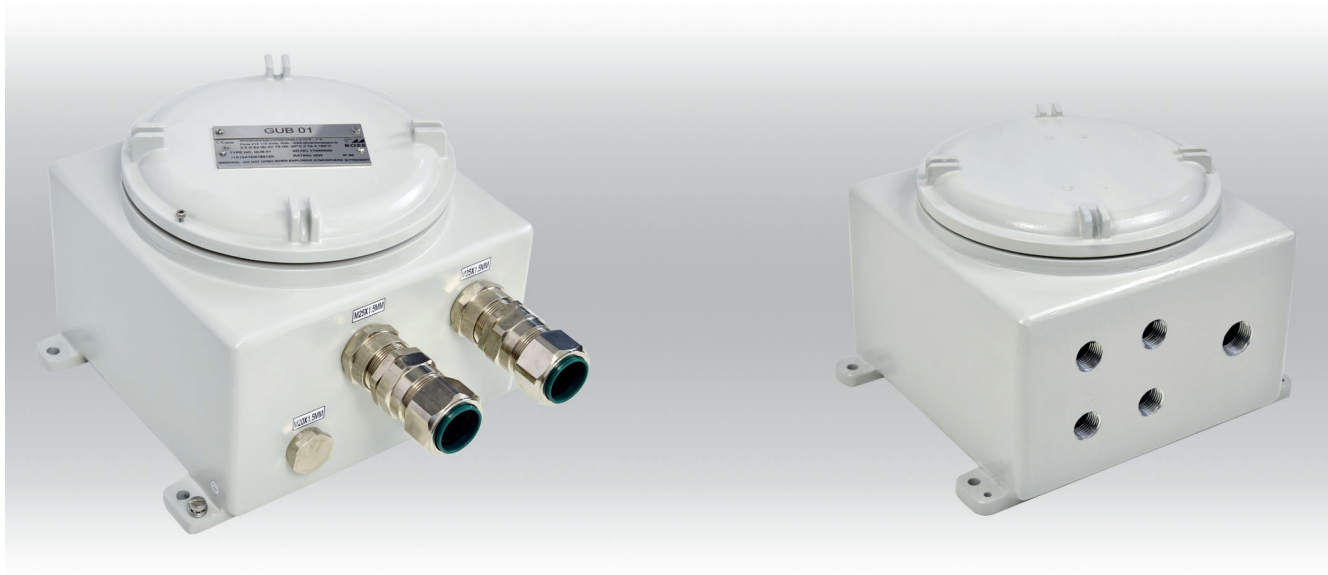
# Ex d IIB+H<sub>2</sub> Enclosure Series IJB

## Dimensions

Order No.	b	h	t	b1	h1	t1	b2	h2	a
40.10 40 10	220	320	223	150	250	187	272	296	23,5
40.10 40 20	270	370	225	200	300	187	322	346	23,5
40.10 40 30	320	420	247	250	350	205	380	392	24,5
40.10 40 40	370	470	249	300	400	202	430	442	27,5
40.10 40 50	430	530	283	350	450	224	506	498	32,5
40.10 40 60	530	630	288	450	550	223	614	594	34,5



## Ex d IIC Enclosure Series GUB



- + Flameproof enclosure system suitable for assembly of terminals, switches and components
- + For gas group IIC

### Included in delivery

Enclosure system consisting of base and lid with screws, external earth connection and external brackets

### Technical data

Explosion protection	II 2 G Ex db IIC T6/T5/T4 Gb II 2 D Ex tb IIIC T80 °C...T130 °C Db
Certificates	ITS 15 ATEX 18212X IECEx ITS 15.0011X
Material	Copper free aluminium
Colour	RAL 7035, light grey
Ingress protection	IP66 to EN 60529
Impact resistance	7 Joule to EN 60079-0
Temperature range	-20 °C to +75 °C



## Ex d IIC Enclosure Series GUB

### Product overview

Order No.	Type	External dimensions H x W x D (mm)	Internal dimensions H x W x D (mm)	Weight (g)
40.10 20 10	GUB 01 AL	220 x 220 x 182	196 x 196 x 133	6200
40.10 20 20	GUB 02 AL	270 x 270 x 182	246 x 246 x 128	8800
40.10 20 30	GUB 03 AL	320 x 320 x 211	292 x 292 x 150	15500
40.10 20 40	GUB 04 AL	370 x 370 x 217	342 x 342 x 151	21000
40.10 20 50	GUB 05 AL	420 x 420 x 239	388 x 388 x 170	30000
40.10 20 60	GUB 06 AL	470 x 470 x 247	434 x 434 x 173	39300

### Accessories

Order No.	Mounting plate	Dimensions H x W x T (mm)
40.10 20 10	40.30 20 10	170 x 170 x 1,5
40.10 20 20	40.30 20 20	205 x 205 x 1,5
40.10 20 30	40.30 20 30	245 x 245 x 1,5
40.10 20 40	40.30 20 40	290 x 290 x 1,5
40.10 20 50	40.30 20 50	330 x 330 x 1,5
40.10 20 60	40.30 20 60	380 x 380 x 1,5

### Terminal mounting

DIN rail	Phoenix Contact													
	TS 35	TS 35	TS 35	TS 35	TS 35	TS 35	TS 35	TS 35	TS 35	TS 35	TS 35	TS 35	TS 35	TS 35
Rated nominal cross section (mm <sup>2</sup> )	2,5	4	6	10	16	25	35	50	70	95	120	150	185	240
Rated voltage (V)	690	690	690	690	690	690	690	690	880	880	1100	1100	1100	1100
Terminal width (mm)	5.2	6.2	8.2	10.2	12.2	16.2	16.2	20	25	25	31	31	36	36
Terminal type														
Enclosure type	UT 2,5	UT 4	UT 6	UT 10	UT 16	UT 35	UT 35	UKH 50	UKH 95	UKH 95	UKH 150	UKH 150	UKH 240	UKH 240
40.10 20 10	26	20	10	8	6	4	4							
40.10 20 20	36	26	15	12	10	8	8	6						
40.10 20 30	50	40	20	16	12	10	10	8	6	6				
40.10 20 40	64	54	28	22	18	14	14	10	8	8	6	6		
40.10 20 50	76	60	32	26	20	16	16	12	10	10	8	8		
40.10 20 60	100	80	40	30	26	18	18	14	12	12	10	10	8	8

Other suppliers on request



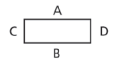
## Ex d IIC Enclosure Series GUB

### Technical details

Power dissipation in Watt

Type	Temperature class	T6			T5					T4		
		T80 °C			T95 °C					T130 °C		
	Maximum surface temperature											
	Maximum ambient temperature	+40 °C	+50 °C	+60 °C	+40 °C	+50 °C	+55 °C	+60 °C	+75 °C	+40 °C	+50 °C	+60 °C
GUB 01 AL	Maximum allowed power loss	82 W		38 W			82 W		38 W			
GUB 02 AL		86 W		45 W			86 W		45 W			
GUB 03 AL		114 W		64 W			114 W		64 W			
GUB 04 AL		170 W	120 W	70 W	230 W	180 W		126 W		410 W	376 W	316 W
GUB 05 AL		218 W	168 W	91 W	291 W	226 W		159 W		491 W	451 W	400 W
GUB 06 AL		250 W	182 W	150 W	405 W	282 W		215 W		723 W	609 W	472 W

Maximum number of cable glands



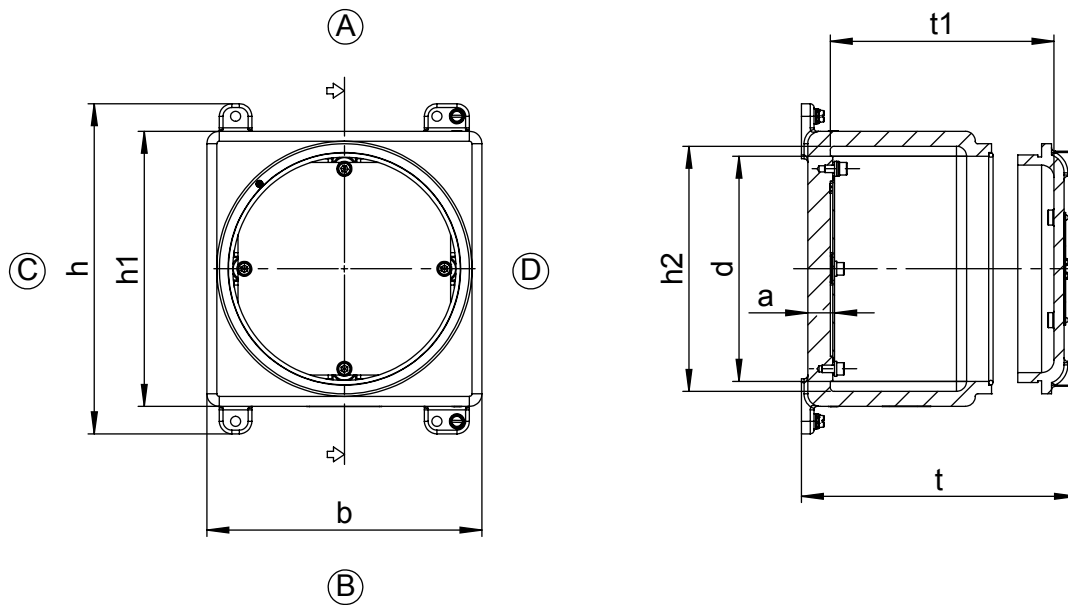
M	NPT	Side	Type					
			GUB 01 AL	GUB 02 AL	GUB 03 AL	GUB 04 AL	GUB 05 AL	GUB 06 AL
20	1/2"	A/B	9	12	18	21	24	27
20	1/2"	C/D	9	12	18	21	24	27
25	3/4"	A/B	6	8	12	14	20	23
25	3/4"	C/D	6	8	12	14	20	23
32	1"	A/B	5	6	8	9	12	14
32	1"	C/D	5	6	8	9	12	14
40	1 1/4"	A/B	3	4	6	8	9	11
40	1 1/4"	C/D	3	4	6	8	9	11
50	1 1/2"	A/B			3	4	6	6
50	1 1/2"	C/D			3	4	6	6
63	2"	A/B				3	4	5
63	2"	C/D				3	4	5
75	2 1/2"	A/B						3
75	2 1/2"	C/D						3



# Ex d IIC Enclosure Series GUB

## Technical details

Order No.	b	h	t	h1	t1	h2	a	d
40.10 20 10	220	264	180	220	139	196	21,5	Ø180
40.10 20 20	270	314	180	270	139	246	21,5	Ø226
40.10 20 30	320	372	209	320	161	292	25,5	Ø262
40.10 20 40	370	430	216	370	161	342	27,5	Ø308
40.10 20 50	420	480	238	420	181	388	29,5	Ø344
40.10 20 60	470	538	246	470	184	434	31,5	Ø394



## Ex d IIC Enclosure Series TBE



- + Flameproof aluminium or stainless steel enclosure system suitable for assembly of terminals and industrial type components
- + Available in aluminium or stainless steel
- + For gas group IIC

### Included in delivery

Enclosure system consisting of base and lid with screws, external earth connection and external brackets

### Technical data

Explosion protection	II 2 G Ex db IIC T6/T5 Gb II 2 D Ex tb IIIC T80°C...T95°C Db
Certificates	ITS 14 ATEX 18169X IECEX ITS 14.0070X RU C-DE.MIO62.B.03099
Material	Copper free aluminium Stainless steel 1.4404/316L
Colour	Aluminium: RAL 7035, light grey Stainless steel: unpainted, painting on request
Ingress protection	IP66 to EN 60529
Surface	Powder coating
Impact resistance	7 Joule to EN 60079-0
Temperature range	-60 °C to +75 °C



## Ex d IIC Enclosure Series TBE

### Product overview

Order No.	Type	External dimensions H x W x D (mm)	Internal dimensions H x W x D (mm)	Weight (g)
<b>Aluminium</b>				
40.10 10 10	TBE 100T AL	116 x 116 x 98	98 x 98 x 66	1100
40.10 10 13	TBE 130T AL	148 x 148 x 107	127 x 127 x 71	1800
40.10 10 16	TBE 160T AL	180 x 180 x 116	157 x 157 x 78	2900
<b>Stainless Steel</b>				
40.20 10 10	TBE 100T SS	116 x 116 x 98	98 x 98 x 66	3000
40.20 10 13	TBE 130T SS	148 x 148 x 107	127 x 127 x 71	5200
40.20 10 16	TBE 160T SS	180 x 180 x 116	157 x 157 x 78	8600

### Accessories

Order No.	Mounting plate	Dimensions Ø x T (mm)
40.10 10 10	40.30 10 10	96 x 1.5
40.10 10 13	40.30 10 13	125 x 1.5
40.10 10 16	40.30 10 16	155 x 1.5
40.20 10 10	40.30 10 10	96 x 1.5
40.20 10 13	40.30 10 13	125 x 1.5
40.20 10 16	40.30 10 16	155 x 1.5

### Terminal mounting

	Phoenix Contact															
	TS 35	TS 35	TS 35	TS 35	TS 35	TS 35	TS 35	TS 35								
DIN rail	TS 35	TS 35	TS 35	TS 35	TS 35	TS 35	TS 35									
Rated nominal cross section (mm <sup>2</sup> )	2,5	4	6	10	16	25	35									
Rated voltage (V)	690	690	690	690	690	690	690									
Terminal width (mm)	5.2	6.2	8.2	10.2	12.2	16.2	16.2									
Terminal type																
Enclosure type	UT 2,5	UT 4	UT 6	UT 10	UT 16	UT 35	UT 35									
40.10 10 10	8	6	4	3												
40.10 10 13	16	12	10	6	4											
40.10 10 16	20	16	12	8	6	4	4									
40.20 10 10	8	6	4	3												
40.20 10 13	16	12	10	6	4											
40.20 10 16	20	16	12	8	6	4	4									

Other suppliers on request



## Ex d IIC Enclosure Series TBE

### Technical details

Power dissipation in Watt

Type	Temperature class	T6			T5				
		T80 °C			T95 °C				
	Maximum surface temperature								
	Maximum ambient temperature	+40 °C	+50 °C	+60 °C	+40 °C	+50 °C	+55 °C	+60 °C	+75 °C
TBE 100T AL	Maximum allowed power loss	20 W		12 W			20 W		12 W
TBE 130T AL		29 W		15 W			29 W		15 W
TBE 160T AL		41 W		24 W			41 W		24 W
TBE 100T SS		20 W		12 W			20 W		12 W
TBE 130T SS		29 W		15 W			29 W		15 W
TBE 160T SS		41 W		24 W			41 W		24 W

Maximum number of cable glands



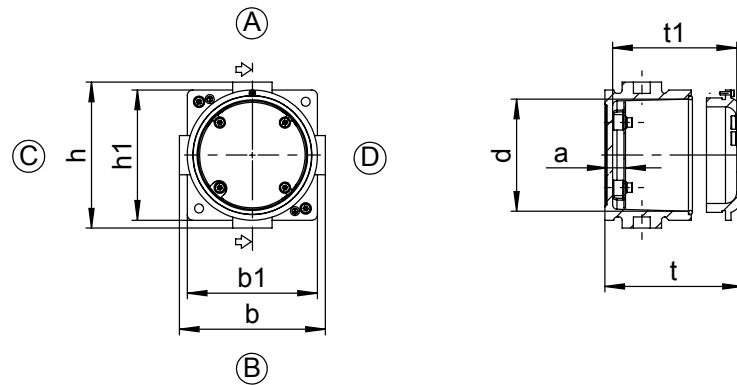
M	NPT	Side	Type					
			TBE 100T AL	TBE 130T AL	TBE 160T AL	TBE 100T SS	TBE 130T SS	TBE 160T SS
20	1/2"	A/B	1	1	1	1	1	1
20	1/2"	C/D	1	2	3	1	2	3
25	3/4"	A/B	1	1	1	1	1	1
25	3/4"	C/D	1	2	3	1	2	3
32	1"	A/B		1	1		1	1
32	1"	C/D						
40	1 1/4"	A/B			1			1
40	1 1/4"	C/D						



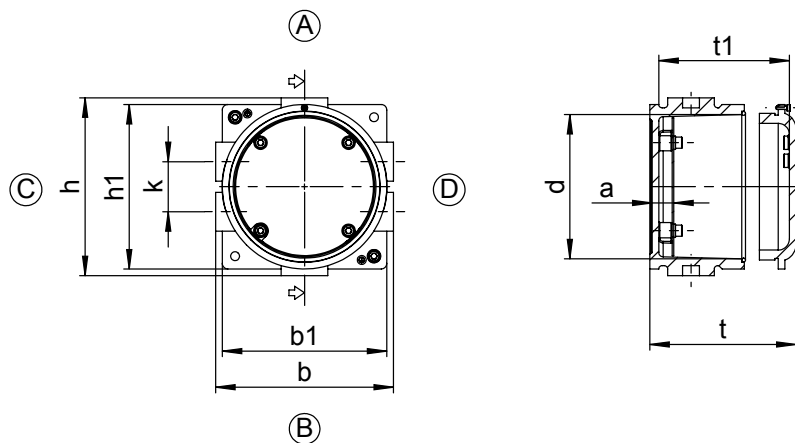
# Ex d IIC Enclosure Series TBE

## Dimensions

Order No.	b	h	t	b1	h1	t1	a	d
40.10 10 10	130	130	97,5	116	116	80,5	17	Ø100
40.20 10 10	130	130	97,5	116	116	80,5	17	Ø100



Order No.	b	h	t	b1	h1	t1	a	k	d
40.10 10 13	160	160	106,5	148	148	87,5	20	45	Ø130
40.20 10 13	160	160	106,5	148	148	87,5	20	45	Ø130



Order No.	b	h	t	b1	h1	t1	a	k	d
40.10 10 16	190	190	116	180	180	94	21	90	Ø160
40.20 10 16	190	190	116	180	180	94	21	90	Ø160

