

## Polyamide Ex Hand held enclosure Beluga



- + Hand held enclosures as empty enclosures with U-approval for Ex-applications
- + 3 enclosure sizes
- + Optional version with display openings

### Included in delivery

Enclosure system consisting of top and base with seal.  
O version = open: with display screen and mounting material for window

### Technical datas

Explosion protection	II 2G Ex e IIC Gb II 2D Ex tb IIIC Db
Certificates	IECEX PTB 09.0019U PTB 02 ATEX 1076U EAC RU C-DE.AA87.B.00637
Material	Polyamide 12
Colour	RAL 9005, jet black
Ingress protection	IP65 to EN 60529
Impact resistance	7 Joule to EN 60079-0
Flammability	UL 94 HB
Surface resistance	<10 <sup>9</sup> Ohm to IEC 60093
Temperature range	-20 °C to +60 °C
Other execution on request	EMC



## Polyamide Ex Hand held enclosure Beluga

### Product overview

Ex Empty		Dimensions H x W x D (mm)	Version	Weight (g)
Order no.	Product type			
28.02 02 00	Beluga 180 O ExB	106/75 x 187 x 50	open	160
28.02 02 01	Beluga 180 G ExB	106/75 x 187 x 50	closed	170
28.02 04 00	Beluga 220 O ExB	116/85 x 220 x 51	open	200
28.02 04 01	Beluga 220 G ExB	116/85 x 220 x 51	closed	210
28.02 05 01	Beluga 380 ExB	380 x 117 x 68	closed	520

### Accessories

#### Carrying strap

carrying strap Beluga 380

Order no.  
27.02 05 80

#### Hand strap

hand strap Beluga 180/220

Order no.  
27.02 00 83  
27.02 05 81

#### Hook set

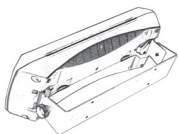


Order no.  
27.02 00 80

#### Spare display screen

Order no.  
28.99 00 01  
28.99 00 02

#### Wall holder



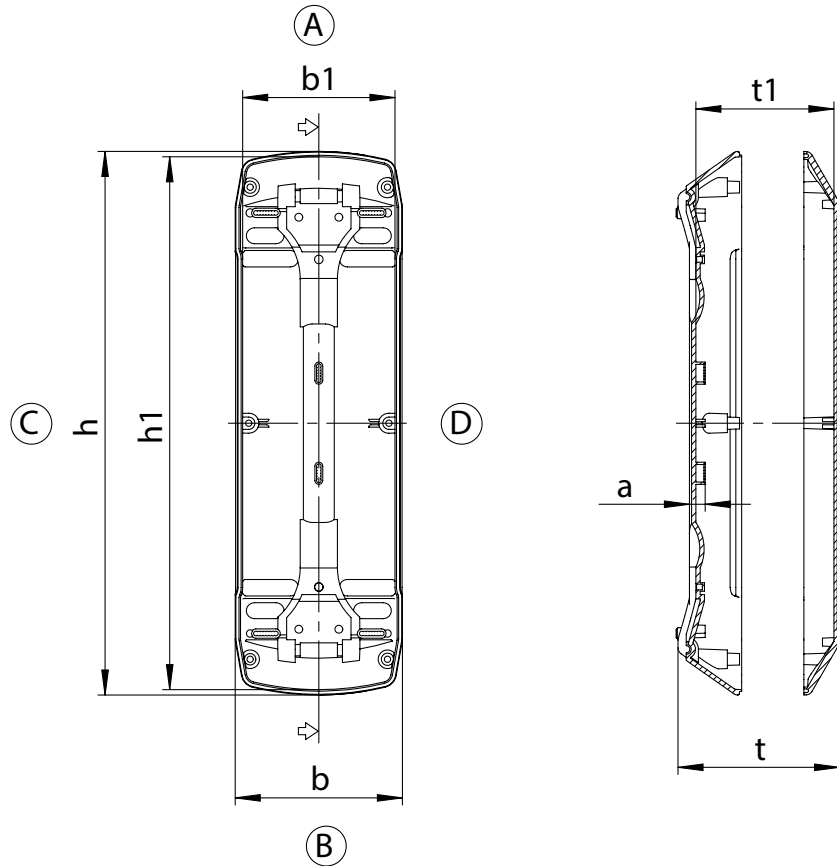
Order no.  
27.02 05 82



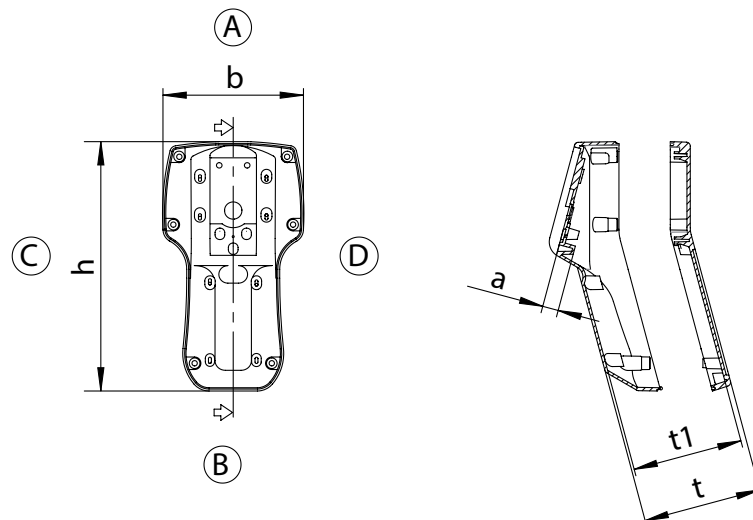
# Ex Polyamide Ex Hand held enclosure Beluga

## Technical details

Order no.	b	h	t	b1	h1	t1	a
28.02 05 01	117	380	68	98	306	60	11



Order no.	b	h	t	t1	a
28.02 02 00	106	187	50	45	14,5
28.02 02 01	106	187	50	45	14,5
28.02 04 00	116	220	51	46	14,5
28.02 04 01	116	220	51	46	14,5



For detailed drawings visit [www.rose-pw.de](http://www.rose-pw.de)

