

Ex eb / Ex ia Terminal enclosures / Ex Empty enclosures with U-approval



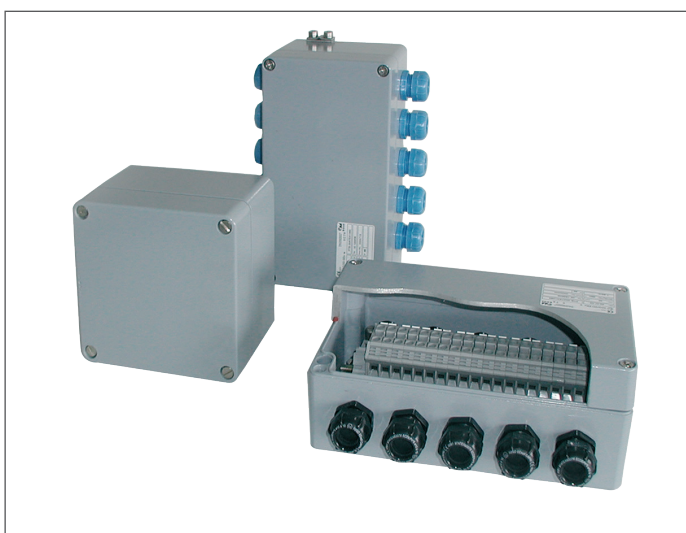
Stainless steel enclosures

- Top quality for highest requirements
- More than 40 different versions and sizes
- Available in standard, flange and hinged version



Polyester enclosures

- Sturdy construction for outdoor and indoor application
- Standard and flange versions
- More than 50 different sizes and variations



Aluminium enclosures

- More than 40 different sizes



Stainless steel Ex IG



- + High-quality enclosure systems for aggressive areas according ATEX and IECEx scheme
- + Empty enclosures with U-approval for individual fittings and Ex eb / Ex ia terminal enclosures
- + Optional version with window

Included in delivery

Empty enclosure: Enclosure system with silicone seal.

Junction box: Enclosure system - depending on execution with silicone seal, DIN rails, internal earthing connection, terminals, continuity plate, manufacturing, cable glands

Technical datas

Explosion protection	II 2 G Ex eb IIC T6/T5/T4 Gb II 2 G Ex ia IIC T6/T5/T4 Gb II 2 G Ex db eb ia [ia] mb IIC T6/T5/T4 Gb II 3 G Ex eb db mb ia [ia Ga] nA nC [op is] IIC T6, T5, T4 Gc II 2 D Ex tb IIIC T85 °C/T100 °C/T135 °C Db IP66
Certificates	PTB 00 ATEX 1101U IECEx PTB 07.0059U; EAC RU C-DE.AA87.B.00637
Material	Stainless steel 1.25 mm or 1.5 mm; 1.4404/316L
Ingress protection	IP66 to EN 60529
Surface	grinded, grain 240
Impact resistance	7 Joule to EN 60079-0
Temperature range	-55 °C to +135 °C
Other execution on request	EMC



Stainless steel Ex IG

Product overview

Ex e		Ex Empty		Ex i		Dimensions H x W x D (mm)	Weight (g)
Order no.	Product type	Order no.	Product type	Order no.	Product type		
35.10 10 06	IGExe 35010	34.10 10 06	IGExB 34010	36.10 10 06	IGExi 36010	100 x 100 x 61	581
35.15 10 06	IGExe 35015	34.15 10 06	IGExB 34015	36.15 10 06	IGExi 36015	100 x 150 x 61	737
35.15 15 08	IGExe 35020	34.15 15 08	IGExB 34020	36.15 15 08	IGExi 36020	150 x 150 x 81	1195
35.20 10 06	IGExe 35025	34.20 10 06	IGExB 34025	36.20 10 06	IGExi 36025	100 x 200 x 61	934
35.20 20 08	IGExe 35030	34.20 20 08	IGExB 34030	36.20 20 08	IGExi 36030	200 x 200 x 81	1812
35.20 20 12	IGExe 35035	34.20 20 12	IGExB 34035	36.20 20 12	IGExi 36035	200 x 200 x 121	2126
35.30 15 08	IGExe 35040	34.30 15 08	IGExB 34040	36.30 15 08	IGExi 36040	150 x 300 x 81	1913
35.30 20 08	IGExe 35045	34.30 20 08	IGExB 34045	36.30 20 08	IGExi 36045	200 x 300 x 81	2387
35.30 20 12	IGExe 35050	34.30 20 12	IGExB 34050	36.30 20 12	IGExi 36050	200 x 300 x 121	2790
35.30 30 12	IGExe 35055	34.30 30 12	IGExB 34055	36.30 30 12	IGExi 36055	300 x 300 x 121	3812
35.30 30 16	IGExe 35060	34.30 30 16	IGExB 34060	36.30 30 16	IGExi 36060	300 x 300 x 161	4121
35.38 38 16	IGExe 35065	34.38 38 16	IGExB 34065	36.38 38 16	IGExi 36065	380 x 380 x 161	5858
35.40 15 08	IGExe 35070	34.40 15 08	IGExB 34070	36.40 15 08	IGExi 36070	150 x 400 x 81	2390
35.40 20 12	IGExe 35075	34.40 20 12	IGExB 34075	36.40 20 12	IGExi 36075	200 x 400 x 121	3403
35.40 30 16	IGExe 35080	34.40 30 16	IGExB 34080	36.40 30 16	IGExi 36080	300 x 400 x 161	5288
35.50 30 16	IGExe 35085	34.50 30 16	IGExB 34085	36.50 30 16	IGExi 36085	300 x 500 x 161	6257
35.50 40 16	IGExe 35090	34.50 40 16	IGExB 34090	36.50 40 16	IGExi 36090	400 x 500 x 161	7353
35.60 20 12	IGExe 35095	34.60 20 12	IGExB 34095	36.60 20 12	IGExi 36095	200 x 600 x 121	5818
35.99 99 99	IGExe 35999	34.99 99 99	IGExB 34100	36.99 99 99	IGExi 36999	Special size on request	

Terminal mounting

DIN rail	Phoenix Contact											
	TS 15	TS 15	TS 35	TS 35	TS 35	TS 35	TS 35	TS 35	TS 35	TS 35	TS 35	TS 35
Nominal cross section (mm ²)	2,5	4	2,5	4	6	10	16	35	50	95	150	
Voltage (V)	352	352	690	690	690	690	690	690	690	880	1100	
Terminal width (mm)	5,2	6,2	5,2	6,2	8,2	10,2	12,2	16,2	20	25	31	
Terminal type												
Enclosure type	MUT 2,5	MUT 4	UT 2,5	UT 4	UT 6	UT 10	UT 16	UT 35	UKH 50	UKH 95	UKH 150	PE bar 1,5 to 6 mm ²
XX.10 10 06	10	8										3
XX.15 10 06	19	16										6
XX.15 15 08	19	16	19	16	12	10	8					6
XX.20 10 06	29	24	29	24	18							8
XX.20 20 08	58	48	58	48	36	28	12					8
XX.20 20 12	58	48	58	48	36	28	12	10				8
XX.30 15 08	48	40	48	40	30	24	20					13
XX.30 20 08	96	80	96	80	60	24	20					13
XX.30 20 12	96	80	96	80	60	24	20	15				13
XX.30 30 12	96	80	96	80	60	48	20	15	12			13
XX.30 30 16	96	80	96	80	60	48	40	15	12			13
XX.38 38 16	189	159	189	159	120	96	81	40	16	13	10	18
XX.40 15 08	67	53	67	53	42	34	28					19
XX.40 20 12	134	106	134	106	84	68	28	21	17			19
XX.40 30 16	134	106	134	106	84	68	28	21	17	14		19
XX.50 30 16	172	144	172	144	110	88	74	27	22	18		24
XX.50 40 16	344	288	344	288	220	132	111	54	44	18	12	24
XX.60 20 12	212	178	212	178	134	54	45	34	27			29

Other suppliers on request



Stainless steel Ex IG

Accessories

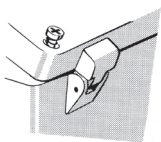
Order no.	DIN rails	External mounting brackets	Mounting plate
XX.10 10 06	•	•	•
XX.15 10 06	•	•	•
XX.15 15 08	•	•	•
XX.20 10 06	•	•	•
XX.20 20 08	•	•	•
XX.20 20 12	•	•	•
XX.30 15 08	•	•	•
XX.30 20 08	•	•	•
XX.30 20 12	•	•	•
XX.30 30 12	•	•	•
XX.30 30 16	•	•	•
XX.38 38 16	•	•	•
XX.40 15 08	•	•	•
XX.40 20 12	•	•	•
XX.40 30 16	•	•	•
XX.50 30 16	•	•	•
XX.50 40 16	•	•	•
XX.60 20 12	•	•	•
XX.99 99 99			

DIN rails



Order no.	Version
10.06 14 41	TS 35/7.5 for XX.10 10 069
10.06 14 35	TS 35/7.5 for XX.15 10 06, XX.15 15 08
10.06 14 37	TS 35/7.5 for XX.20 10 06, XX.20 20 08, XX.20 20 12
10.06 14 36	TS 35/7.5 for XX.30 15 08, XX.30 20 08, XX.30 20 12, XX.30 30 12, XX.30 30 16
10.06 14 39	TS 35/7.5 for XX.38 38 16
10.06 14 38	TS 35/7.5 for XX.40 15 08, XX.40 20 12, XX.40 30 16
10.06 14 40	TS 35/7.5 for XX.50 30 16, XX.50 40 16
10.06 14 42	TS 35/7.5 for XX.60 20 12

External hinges



Set = 2 pcs

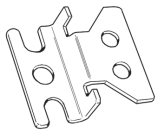
Order no.
37.00 00 02



Stainless steel Ex IG

Accessories

External mounting brackets

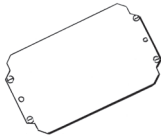


set = 4 pcs

Order no.

37.10 50 00	External mounting bracket
37.99 00 01	Mounting set

Mounting plate



Order no.

Version

10.01 10 53	for XX.10 10 06
10.01 10 43	for XX.40 20 12
10.01 10 38	for XX.15 15 08
10.01 10 55	for XX.20 10 06
10.01 10 40	for XX.20 20 08, XX.20 20 12
10.01 10 39	for XX.30 15 08
10.01 10 41	for XX.30 20 08, XX.30 20 12
10.01 10 44	for XX.30 30 12, XX.30 30 16, XX.00 33 16
10.01 10 45	for XX.38 38 16, XX.00 44 16, XX.00 44 21
10.01 10 56	for XX.40 15 08
10.01 10 48	for XX.40 30 16
10.01 10 57	for XX.50 30 16, XX.00 53 16
10.01 10 49	for XX.50 40 16
10.01 10 58	for XX.60 20 12

PE bar 1.5 to 6 mm²



Order no.

Version

12.05 43 01	for XX.10 10 06
12.05 43 02	for XX.15 10 06, XX.15 15 08
12.05 43 04	for XX.20 10 06, XX.20 20 08, XX.00 22 09, XX.00 22 15
12.05 43 07	for XX.30 15 08, XX.30 20 08, XX.30 20 12, XX.30 30 12, XX.30 30 16, XX.00 33 16
12.05 43 12	for XX.38 38 16, XX.00 44 16, XX.00 44 21
12.05 43 13	for XX.40 15 08, XX.40 20 12, XX.40 30 16
12.05 43 16	for XX.50 30 16, XX.50 40 16, XX.00 53 16
12.05 43 17	for XX.60 20 12, XX.00 63 16, XX.00 64 21



Stainless steel Ex IG

Technical details



Order no.	Product type	Dimensions H x W x D (mm)
34.10 10 06	IGExB 34010	100 x 100 x 61
35.10 10 06	IGExe 35010	100 x 100 x 61
36.10 10 06	IGExi 36010	100 x 100 x 61

Symbol	1,5	2,5	4	6	10	16	25	35	50	70	95
	11	11	7	7							
	1	1	1	1							
 x A	6										
	10	19	36								
	16	7	13	22							
	20	3	8	14	23						
	25		4	8	14						
	35			2	6						
	50										
	63										
	80										
	100										
	125										
	160										
	200										
	225										
	250										
	315										
	400										
500											

Maximum number of cable glands

M	Side	
	A/B	C/D
12	6	4
16	2	
20	2	
25		
32		
40		
50		
63		
75		
85		

DIN rail	TS 15
Length (mm)	90
max. fitting length (mm)	52
External earth (mm ²)	6



Order no.	Product type	Dimensions H x W x D (mm)
34.15 10 06	IGExB 34015	100 x 150 x 61
35.15 10 06	IGExe 35015	100 x 150 x 61
36.15 10 06	IGExi 36015	100 x 150 x 61

Symbol	1,5	2,5	4	6	10	16	25	35	50	70	95
	20	20	16	12							
	1	1	1	1							
 x A	6										
	10	21	38								
	16	8	14	24							
	20	3	9	15	25						
	25		4	9	15						
	35			2	7						
	50										
	63										
	80										
	100										
	125										
	160										
	200										
	225										
	250										
	315										
	400										
500											

Maximum number of cable glands

M	Side	
	A/B	C/D
12	11	4
16	4	
20	3	
25		
32		
40		
50		
63		
75		
85		

DIN rail	TS 15
Length (mm)	140
max. fitting length (mm)	102
External earth (mm ²)	6



Stainless steel Ex IG

Technical details



Order no.	Product type	Dimensions H x W x D (mm)
34.15 15 08	IGExB 34020	150 x 150 x 81
35.15 15 08	IGExe 35020	150 x 150 x 81
36.15 15 08	IGExi 36020	150 x 150 x 81

Maximum number of cable glands



M	Side	
	A/B	C/D
12	15	12
16	8	5
20	6	4
25	3	3
32	2	
40		
50		
63		
75		
85		

DIN rail	TS 35
Length (mm)	140
max. fitting length (mm)	102
External earth (mm ²)	16

Order no.	Product type	Dimensions H x W x D (mm)
34.20 10 06	IGExB 34025	100 x 200 x 61
35.20 10 06	IGExe 35025	100 x 200 x 61
36.20 10 06	IGExi 36025	100 x 200 x 61

Order no.	Product type	Dimensions H x W x D (mm)
34.20 10 06	IGExB 34025	100 x 200 x 61
35.20 10 06	IGExe 35025	100 x 200 x 61
36.20 10 06	IGExi 36025	100 x 200 x 61

M	Side	
	A/B	C/D
12	16	4
16	6	
20	5	
25		
32		
40		
50		
63		
75		
85		

DIN rail	TS 15
Length (mm)	190
max. fitting length (mm)	152
External earth (mm ²)	6



Order no.	Product type	Dimensions H x W x D (mm)
34.20 10 06	IGExB 34025	100 x 200 x 61
35.20 10 06	IGExe 35025	100 x 200 x 61
36.20 10 06	IGExi 36025	100 x 200 x 61

Maximum number of cable glands



Order no.	Product type	Dimensions H x W x D (mm)
34.20 10 06	IGExB 34025	100 x 200 x 61
35.20 10 06	IGExe 35025	100 x 200 x 61
36.20 10 06	IGExi 36025	100 x 200 x 61

Order no.	Product type	Dimensions H x W x D (mm)
34.20 10 06	IGExB 34025	100 x 200 x 61
35.20 10 06	IGExe 35025	100 x 200 x 61
36.20 10 06	IGExi 36025	100 x 200 x 61

M	Side	
	A/B	C/D
12	16	4
16	6	
20	5	
25		
32		
40		
50		
63		
75		
85		

DIN rail	TS 15
Length (mm)	190
max. fitting length (mm)	152
External earth (mm ²)	6



Stainless steel Ex IG

Technical details



Order no.	Product type	Dimensions H x W x D (mm)
34.20 20 08	IGExB 34030	200 x 200 x 81
35.20 20 08	IGExe 35030	200 x 200 x 81
36.20 20 08	IGExi 36030	200 x 200 x 81

Cable type	Dimensions (mm)											
	1,5	2,5	4	6	10	16	25	35	50	70	95	
Terminal block height	76	60	50	38	30	13						
Terminal block width	2	2	2	2	2	1						
Cable diameter (mm) x Cable length (mm)	6											
	10	32	58									
	16	12	22	36								
	20	5	13	23	39							
	25		6	14	23							
	35			4	10	21						
	50					8	17					
	63					3	9					
	80						4					
	100											
	125											
	160											
	200											
	225											
	250											
	315											
	400											
500												

Maximum number of cable glands

M	Side	
	A/B	C/D
12	24	18
16	12	7
20	10	6
25	4	4
32	3	
40		
50		
63		
75		
85		

DIN rail	TS 35
Length (mm)	190
max. fitting length (mm)	152
External earth (mm ²)	16



Order no.	Product type	Dimensions H x W x D (mm)
34.20 20 12	IGExB 34035	200 x 200 x 121
35.20 20 12	IGExe 35035	200 x 200 x 121
36.20 20 12	IGExi 36035	200 x 200 x 121

Cable type	Dimensions (mm)											
	1,5	2,5	4	6	10	16	25	35	50	70	95	
Terminal block height	76	60	50	38	30	13	10	10				
Terminal block width	2	2	2	2	1	1	1	1				
Cable diameter (mm) x Cable length (mm)	6											
	10	39	71									
	16	15	27	44								
	20	6	16	28	47							
	25		8	17	28							
	35			5	13	25						
	50					2	10	21	68			
	63						3	12	23			
	80							4	12	21		
	100								5	11		
	125									5		
	160											
	200											
	225											
	250											
	315											
	400											
500												

Maximum number of cable glands

M	Side	
	A/B	C/D
12	48	45
16	22	20
20	16	18
25	8	8
32	5	4
40	2	2
50	2	2
63	2	2
75		
85		

DIN rail	TS 35
Length (mm)	190
max. fitting length (mm)	152
External earth (mm ²)	16



Stainless steel Ex IG

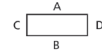
Technical details



Order no.	Product type	Dimensions H x W x D (mm)
34.30 15 08	IGExB 34040	150 x 300 x 81
35.30 15 08	IGExe 35040	150 x 300 x 81
36.30 15 08	IGExi 36040	150 x 300 x 81

		1,5	2,5	4	6	10	16	25	35	50	70	95
		61	50	41	31	25	21					
		1	1	1	1	1	1					
x A	6											
	10	30	55									
	16	11	21	34								
	20	5	13	22	37							
	25		6	13	22							
	35			4	10	20						
	50					8	16					
	63					2	9					
	80						3					
	100											
	125											
	160											
	200											
	225											
	250											
	315											
	400											
500												

Maximum number of cable glands



M	Side	
	A/B	C/D
12	42	12
16	20	6
20	17	4
25	7	3
32	5	
40		
50		
63		
75		
85		

DIN rail	TS 35
Length (mm)	290
max. fitting length (mm)	252
External earth (mm ²)	16



Order no.	Product type	Dimensions H x W x D (mm)
34.30 20 08	IGExB 34045	200 x 300 x 81
35.30 20 08	IGExe 35045	200 x 300 x 81
36.30 20 08	IGExi 36045	200 x 300 x 81

		1,5	2,5	4	6	10	16	25	35	50	70	95
		120	96	80	60	24	20					
		2	2	2	2	1	1					
x A	6											
	10	35	63									
	16	13	24	39								
	20	5	14	25	42							
	25		7	15	25							
	35			4	11	23						
	50					9	19					
	63					3	10					
	80						4					
	100											
	125											
	160											
	200											
	225											
	250											
	315											
	400											
500												

Maximum number of cable glands



M	Side	
	A/B	C/D
12	42	18
16	20	7
20	17	6
25	7	4
32	5	
40		
50		
63		
75		
85		

DIN rail	TS 35
Length (mm)	290
max. fitting length (mm)	252
External earth (mm ²)	16



Stainless steel Ex IG

Technical details



Order no.	Product type	Dimensions H x W x D (mm)
34.30 20 12	IGExB 34050	200 x 300 x 121
35.30 20 12	IGExe 35050	200 x 300 x 121
36.30 20 12	IGExi 36050	200 x 300 x 121

	1,5	2,5	4	6	10	16	25	35	50	70	95
	120	96	80	60	24	20	16	16			
	2	2	2	2	1	1	1	1			
 x A	6										
	10	42	76								
	16	16	28	47							
	20	6	17	30	51						
	25		8	18	30						
	35			5	14	27					
	50				2	11	22	73			
	63					4	12	24			
	80						5	13	22		
	100							6	12		
	125								5		
	160										
	200										
	225										
	250										
	315										
	400										
500											

Maximum number of cable glands

M	Side	
	A/B	C/D
12	84	45
16	38	20
20	28	18
25	14	8
32	9	4
40	4	2
50	3	2
63	3	2
75		
85		

DIN rail	TS 35
Length (mm)	290
max. fitting length (mm)	252
External earth (mm ²)	16



Order no.	Product type	Dimensions H x W x D (mm)
34.30 30 12	IGExB 34055	300 x 300 x 121
35.30 30 12	IGExe 35055	300 x 300 x 121
36.30 30 12	IGExi 36055	300 x 300 x 121

	1,5	2,5	4	6	10	16	25	35	50	70	95
	120	96	80	60	48	20	16	16	12		
	2	2	2	2	2	1	1	1	1		
 x A	6										
	10	48	87								
	16	18	33	54							
	20	8	20	34	58						
	25		10	21	35						
	35			6	16	31					
	50				2	13	26	84			
	63					4	14	28			
	80						6	15	25		
	100							7	14	25	
	125								6	13	
	160									5	
	200										
	225										
	250										
	315										
	400										
500											

Maximum number of cable glands

M	Side	
	A/B	C/D
12	84	75
16	38	32
20	28	27
25	14	14
32	9	7
40	4	4
50	3	3
63	3	3
75		
85		

DIN rail	TS 35
Length (mm)	290
max. fitting length (mm)	252
External earth (mm ²)	25



Stainless steel Ex IG

Technical details



Order no.	Product type	Dimensions H x W x D (mm)
34.30 30 16	IGExB 34060	300 x 300 x 161
35.30 30 16	IGExe 35060	300 x 300 x 161
36.30 30 16	IGExi 36060	300 x 300 x 161

		1,5	2,5	4	6	10	16	25	35	50	70	95
		126	102	87	63	51	40	16	16	12		
		2	2	2	2	2	2	1	1	1		
x A	6											
	10	55	100									
	16	21	38	62								
	20	9	23	39	67							
	25		11	24	40							
	35			7	18	36						
	50				2	15	30	96				
	63					5	16	32				
	80						6	17	29			
	100							8	16	29		
	125								7	15		
	160									6		
	200											
	225											
	250											
	315											
	400											
500												

Maximum number of cable glands

M	Side	
	A/B	C/D
12	112	120
16	54	50
20	45	45
25	22	21
32	14	12
40	8	8
50	6	6
63	5	4
75		
85		

DIN rail	TS 35
Length (mm)	290
max. fitting length (mm)	252
External earth (mm ²)	25



Order no.	Product type	Dimensions H x W x D (mm)
34.38 38 16	IGExB 34065	380 x 380 x 161
35.38 38 16	IGExe 35065	380 x 380 x 161
36.38 38 16	IGExi 36065	380 x 380 x 161

		1,5	2,5	4	6	10	16	25	35	50	70	95
		240	195	162	123	99	81	44	44	17	13	13
		3	3	3	3	3	3	2	2	1	1	1
x A	6											
	10	62	113									
	16	24	43	71								
	20	10	26	45	75							
	25		13	28	45							
	35			8	21	41						
	50				3	16	34	109				
	63					6	19	36				
	80						7	19	33			
	100							9	18	33		
	125								8	17	32	
	160									7	15	26
	200										6	13
	225										2	8
	250											4
	315											
	400											
500												

Maximum number of cable glands

M	Side	
	A/B	C/D
12	152	152
16	75	65
20	58	58
25	30	27
32	18	17
40	10	10
50	8	8
63	6	5
75		
85		

DIN rail	TS 35
Length (mm)	370
max. fitting length (mm)	332
External earth (mm ²)	50



Stainless steel Ex IG

Technical details



Order no.	Product type	Dimensions H x W x D (mm)
34.40 15 08	IGExB 34070	150 x 400 x 81
35.40 15 08	IGExe 35070	150 x 400 x 81
36.40 15 08	IGExi 36070	150 x 400 x 81

M	Side	
	A/B	C/D
12	57	12
16	29	6
20	24	4
25	9	3
32	7	
40		
50		
63		
75		
85		

DIN rail	TS 35
Length (mm)	390
max. fitting length (mm)	352
External earth (mm ²)	16



Order no.	Product type	Dimensions H x W x D (mm)
34.40 20 12	IGExB 34075	200 x 400 x 121
35.40 20 12	IGExe 35075	200 x 400 x 121
36.40 20 12	IGExi 36075	200 x 400 x 121

M	Side	
	A/B	C/D
12	120	45
16	52	20
20	40	18
25	20	8
32	13	4
40	6	2
50	5	2
63	4	2
75		
85		

DIN rail	TS 35
Length (mm)	390
max. fitting length (mm)	352
External earth (mm ²)	25



Stainless steel Ex IG

Technical details



Order no.	Product type	Dimensions H x W x D (mm)
34.40 30 16	IGExB 34080	300 x 400 x 161
35.40 30 16	IGExe 35080	300 x 400 x 161
36.40 30 16	IGExi 36080	300 x 400 x 161

		1,5	2,5	4	6	10	16	25	35	50	70	95	
		172	138	116	88	70	29	23	23	18	14	14	
		2	2	2	2	2	1	1	1	1	1	1	
x 	6												
	10	58	106										
	16	22	40	66									
	20	9	25	42	71								
	25		12	26	42								
	35			8	19	38							
	50				3	15	31	102					
	63					5	17	34					
	80						7	18	31				
	100							8	17	31			
	125								7	16	30		
	160									6	14	25	
	200										5	12	
	225											2	7
	250												4
	315												
	400												
500													

Maximum number of cable glands



M	Side	
	A/B	C/D
12	160	120
16	102	50
20	60	45
25	32	21
32	20	12
40	11	8
50	9	6
63	7	4
75		
85		

DIN rail	TS 35
Length (mm)	390
max. fitting length (mm)	352
External earth (mm ²)	50



Order no.	Product type	Dimensions H x W x D (mm)
34.50 30 16	IGExB 34085	300 x 500 x 161
35.50 30 16	IGExe 35085	300 x 500 x 161
36.50 30 16	IGExi 36085	300 x 500 x 161

		1,5	2,5	4	6	10	16	25	35	50	70	95	
		214	172	144	108	88	72	29	29	26	18	18	
		2	2	2	2	2	2	1	1	1	1	1	
x 	6												
	10	60	109										
	16	23	41	68									
	20	10	25	43	72								
	25		12	27	43								
	35			8	20	39							
	50				3	16	32	105					
	63					5	18	35					
	80						7	19	32				
	100							9	17	32			
	125								7	17	31		
	160									6	14	25	
	200										6	12	
	225											2	7
	250												4
	315												
	400												
500													

Maximum number of cable glands



M	Side	
	A/B	C/D
12	208	120
16	102	50
20	80	45
25	42	21
32	28	12
40	14	8
50	12	6
63	9	4
75		
85		

DIN rail	TS 35
Length (mm)	490
max. fitting length (mm)	452
External earth (mm ²)	50



Stainless steel Ex IG

Technical details



Order no.	Product type	Dimensions H x W x D (mm)
34.50 40 16	IGExB 34090	400 x 500 x 161
35.50 40 16	IGExe 35090	400 x 500 x 161
36.50 40 16	IGExi 36090	400 x 500 x 161

		1,5	2,5	4	6	10	16	25	35	50	70	95	120	150	185	240
		425	345	290	215	140	87	46	46	36	14	14	11	11		
	N	4	4	4	4	3	3	2	2	2	1	1	1	1		
x 	A	6														
		10	68	123												
		16	26	46	77											
		20	11	28	48	82										
		25		14	30	49										
		35			9	23	44									
		50				3	18	36	118							
		63					6	20	40							
		80						8	21	36						
		100							10	19	36					
		125								8	19	35				
		160									7	16	29	73		
		200										6	14	23	40	
		225										2	8	15	24	
		250											5	10	17	
		315												2	6	
		400														
	500															

Maximum number of cable glands

M	Side	
	A/B	C/D
12	208	164
16	102	70
20	80	63
25	42	28
32	28	18
40	14	12
50	12	8
63	9	6
75		
85		

DIN rail	TS 35
Length (mm)	490
max. fitting length (mm)	452
External earth (mm ²)	95



Order no.	Product type	Dimensions H x W x D (mm)
34.60 20 12	IGExB 34095	200 x 600 x 121
35.60 20 12	IGExe 35095	200 x 600 x 121
36.60 20 12	IGExi 36095	200 x 600 x 121

		1,5	2,5	4	6	10	16	25	35	50	70	95
		262	212	178	134	54	45	36	36	27		
	N	2	2	2	2	1	1	1	1	1		
x 	A	6										
		10	43	78								
		16	16	29	49							
		20	7	18	31	52						
		25		9	19	31						
		35			6	14	28					
		50				2	11	23	75			
		63					4	13	25			
		80						5	13	23		
		100							6	12	23	
		125								5	12	
		160									4	
		200										
		225										
		250										
		315										
		400										
	500											

Maximum number of cable glands

M	Side	
	A/B	C/D
12	192	45
16	64	20
20	64	18
25	32	8
32	22	4
40	10	2
50	8	2
63	7	2
75		
85		

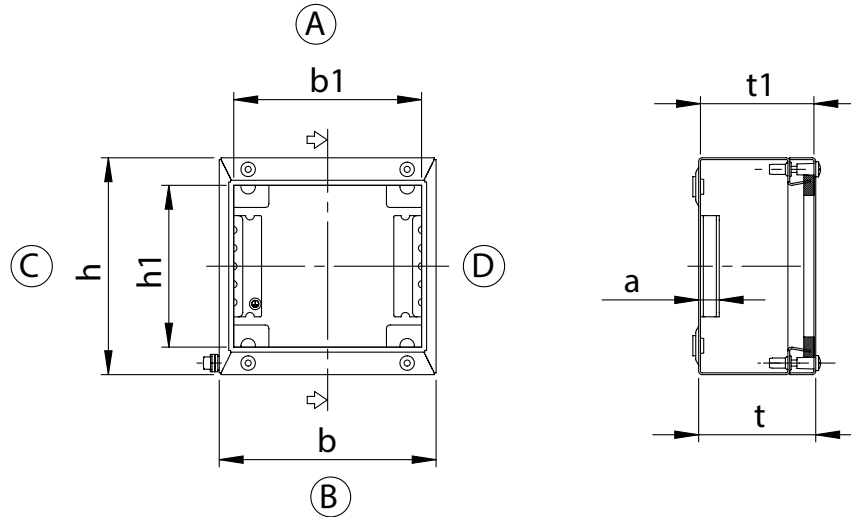
DIN rail	TS 35
Length (mm)	590
max. fitting length (mm)	552
External earth (mm ²)	25



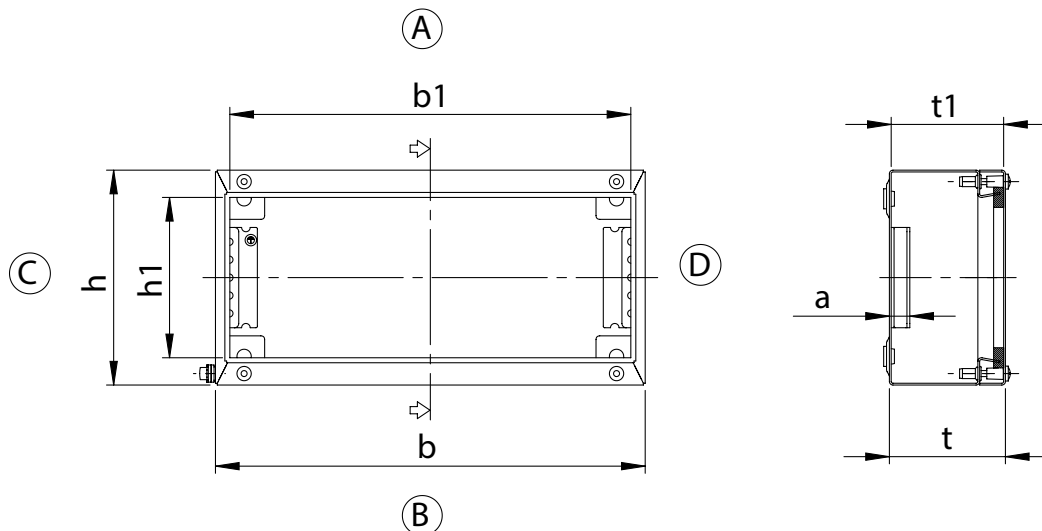
Stainless steel Ex IG

Technical details

Order no.	b	h	t	b1	h1	t1	a
XX.10 10 06	100	100	61	97,5	97,5	58,5	13
XX.15 15 08	150	150	81	147,5	147,5	78,5	13
XX.20 20 08	200	200	81	197,5	197,5	78,5	13
XX.20 20 12	200	200	121	197,5	197,5	118,5	13
XX.30 30 12	300	300	121	297,5	297,5	118,5	13
XX.30 30 16	300	300	161	297,5	297,5	158,5	13
XX.38 38 16	380	380	161	377,5	377,5	158,5	13



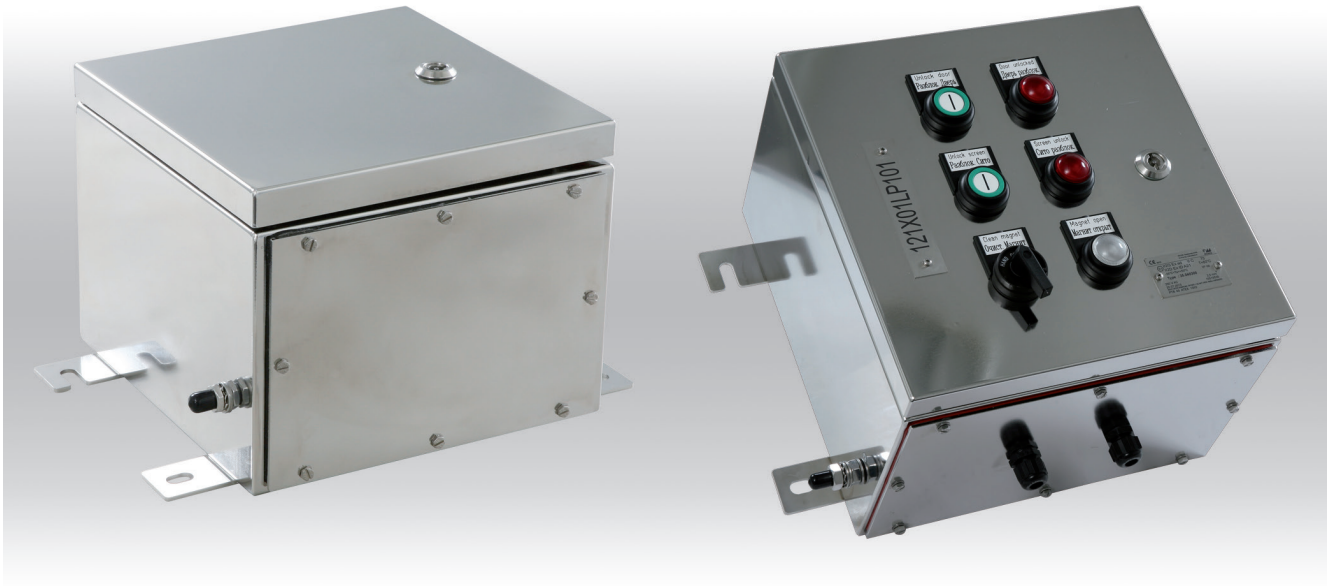
Order no.	b	h	t	b1	h1	t1	a
XX.15 10 06	150	100	61	147,5	97,5	58,5	13
XX.20 10 06	200	100	61	197,5	97,5	58,5	13
XX.30 15 08	300	150	81	297,5	147,5	78,5	13
XX.30 20 08	300	200	81	297,5	197,5	78,5	13
XX.30 20 12	300	200	121	297,5	197,5	118,5	13
XX.40 15 08	400	150	81	397,5	147,5	78,5	13
XX.40 20 12	400	200	121	397,5	197,5	118,5	13
XX.40 30 16	400	300	161	397,5	297,5	158,5	13
XX.50 30 16	500	300	161	497,5	297,5	158,5	13
XX.50 40 16	500	400	161	497,5	397,5	158,5	13
XX.60 20 12	600	200	121	597	197	118	13



For detailed drawings visit www.rose-pw.de



Ex stainless steel flange ProtEx



- + Top quality stainless steel flange enclosures for aggressive environments
- + Empty enclosure with U-approval for individual fittings or Ex eb / Ex ia junction box
- + Standard with 1 flange, optional up to 4 flanges

Included in delivery

Empty enclosure: Enclosure with hinged lid, doubleward lock, flange plates (3 mm) silicone lid seal, silicone flange seal, welded external brackets, external earth bolt M10, internal fixing bolts, from enclosure type 9 with lid lifting device.

Junction box: Enclosure system - as before with individual fitting, DIN rail, terminals, cable glands

Technical datas

Explosion protection	II 2 G Ex eb IIC T6/T5/T4 Gb II 2 G Ex ia IIC T6/T5/T4 Gb II 2 G Ex db eb ia [ia] mb IIC T6/T5/T4 Gb II 3 G Ex eb db mb ia [ia Ga] nA nC [op is] IIC T6, T5, T4 Gc II 2 D Ex tb IIIC T85 °C/T100 °C/T135 °C Db IP66
Certificates	PTB 00 ATEX 1101U IECEX PTB 07.0059U EAC RU C-DE.AA87.B.00637
Material	Stainless Steel 1.5 mm, 1.4404/316L
Ingress protection	IP66 to EN 60529
Surface	grinded, grain 240
Impact resistance	7 Joule to EN 60079-0
Temperature range	-55 °C to +135 °C
Other execution on request	EMC, electropolished



Ex stainless steel flange ProtEx

Product overview

Ex e		Ex Empty		Ex i		Dimensions H x W x D (mm)	Weight (g)
Order no.	Product type	Order no.	Product type	Order no.	Product type		
35.06 02 00	ProtExe 02	34.06 02 00	ProtExB 02	36.06 02 00	ProtExi 02	260 x 260 x 205	4870
35.06 03 00	ProtExe 03	34.06 03 00	ProtExB 03	36.06 03 00	ProtExi 03	306 x 306 x 205	6010
35.06 04 00	ProtExe 04	34.06 04 00	ProtExB 04	36.06 04 00	ProtExi 04	380 x 260 x 205	6360
35.06 05 00	ProtExe 05	34.06 05 00	ProtExB 05	36.06 05 00	ProtExi 05	458 x 382 x 205	9120
35.06 06 00	ProtExe 06	34.06 06 00	ProtExB 06	36.06 06 00	ProtExi 06	480 x 480 x 205	11010
35.06 07 00	ProtExe 07	34.06 07 00	ProtExB 07	36.06 07 00	ProtExi 07	500 x 350 x 205	9190
35.06 08 00	ProtExe 08	34.06 08 00	ProtExB 08	36.06 08 00	ProtExi 08	620 x 450 x 205	12790
35.06 09 00	ProtExe 09	34.06 09 00	ProtExB 09	36.06 09 00	ProtExi 09	740 x 550 x 205	18200
35.06 10 00	ProtExe 10	34.06 10 00	ProtExB 10	36.06 10 00	ProtExi 10	762 x 508 x 205	13930
35.06 11 00	ProtExe 11	34.06 11 00	ProtExB 11	36.06 11 00	ProtExi 11	860 x 640 x 205	18540
35.06 12 00	ProtExe 12	34.06 12 00	ProtExB 12	36.06 12 00	ProtExi 12	914 x 610 x 205	23460
35.06 13 00	ProtExe 13	34.06 13 00	ProtExB 13	36.06 13 00	ProtExi 13	980 x 740 x 205	19040

Terminal mounting

DIN rail	Phoenix Contact											
	TS 15	TS 15	TS 35	TS 35	TS 35	TS 35	TS 35	TS 35	TS 35	TS 35	TS 35	TS 35
Nominal cross section (mm ²)	2,5	4	2,5	4	6	10	16	35	50	95	150	240
Voltage (V)	352	352	690	690	690	690	690	690	690	880	1100	1100
Terminal width (mm)	5,2	6,2	5,2	6,2	8,2	10,2	12,2	16,2	20	25	31	36
Terminal type												
Enclosure type	MUT 2,5	MUT 4	UT 2,5	UT 4	UT 6	UT 10	UT 16	UT 35	UKH 50	UKH 95	UKH 150	UKH 240
XX.06 02 00	87	72	87	72	54	30	24	9	7			
XX.06 03 00	152	96	152	96	7	58	32	24	9	7		
XX.06 04 00	145	96	145	96	72	60	36	18	14	4		
XX.06 05 00	260	176	260	176	132	104	66	34	26	11	8	7
XX.06 06 00	355	300	355	300	180	146	120	69	36	28	12	10
XX.06 07 00	230	195	230	195	116	69	57	45	24	9	7	6
XX.06 08 00	600	504	600	504	376	228	160	96	57	30	12	10
XX.06 09 00	935	639	935	639	486	301	252	110	44	34	14	12
XX.06 10 00	847	640	847	640	480	312	229	125	60	32	12	11
XX.06 11 00	1326	935	1326	935	715	468	344	165	104	63	34	2
XX.06 12 00	1344	972	1344	972	732	441	328	186	100	60	32	26
XX.06 13 00	1815	1326	1815	1326	1001	620	459	234	155	75	40	34

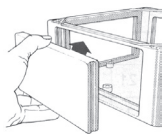
Other suppliers on request



Ex stainless steel flange ProtEx

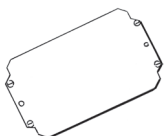
Accessories

Blind flange



Order no.	Version
34.06 50 03	F2, for XX.06 02 00, XX.06 04 00
34.06 50 04	F3, for XX.06 03 00, XX.06 11 00, XX.06 12 00,
34.06 50 05	F4, for XX.06 05 00, XX.06 07 00, XX.06 13 00,
34.06 50 07	F6, for XX.06 06 00, XX.06 08 00, XX.06 10 00
34.06 50 08	F7, for XX.06 09 00

Mounting plates



Order no.	Version
34.04 51 02	for XX.06 02 00
34.04 51 03	for XX.06 03 00
34.04 51 04	for XX.06 04 00
34.04 51 05	for XX.06 05 00
34.04 51 06	for XX.06 06 00
34.04 51 07	for XX.06 07 00
34.04 51 08	for XX.06 08 00
34.04 51 09	for XX.06 09 00
34.04 51 10	for XX.06 10 00
34.04 51 11	for XX.06 11 00
34.04 51 12	for XX.06 12 00
34.04 51 13	for XX.06 13 00

Ex stainless steel flange ProtEx

Technical details



Order no.	Product type	Dimensions H x W x D (mm)
34.06 02 00	ProtExB 02	260 x 260 x 205
35.06 02 00	ProtExe 02	260 x 260 x 205
36.06 02 00	ProtExi 02	260 x 260 x 205

		1,5	2,5	4	6	10	16	25	35	50	70	95											
		99	81	66	51	26	22	9	9	7	5												
		3	3	3	3	2	2	1	1	1	1												
	6																						
	10												60	108									
	16												23	41	67								
	20												9	25	43	72							
	25													12	26	43							
	35														8	20	39						
	50															3	16	32	104				
	63																5	18	35				
	80																	7	19	32			
	100																		9	17	32		
	125																			7	16	31	
	160																				6	14	
	200																					6	
	225																					2	
	250																						
	315																						
400																							
500																							

Maximum number of cable glands

M	Side	
	A/B	C/D
12	98	75
16	43	34
20	34	25
25	18	13
32	10	7
40	6	4
50	4	4
63	4	2
75		
85		

DIN rail	TS 35
Length (mm)	198
max. fitting length (mm)	153
External earth stud	M10



Order no.	Product type	Dimensions H x W x D (mm)
34.06 03 00	ProtExB 03	306 x 306 x 205
35.06 03 00	ProtExe 03	306 x 306 x 205
36.06 03 00	ProtExi 03	306 x 306 x 205

		1,5	2,5	4	6	10	16	25	35	50	70	95											
		176	144	90	66	54	30	24	12	9	7	7											
		4	4	3	3	3	2	2	1	1	1	1											
	6																						
	10												64	116									
	16												24	43	72								
	20												10	27	46	77							
	25													13	28	46							
	35														9	21	41						
	50															3	17	34	111				
	63																6	19	37				
	80																	8	20	34			
	100																		9	18	34		
	125																			8	18	33	
	160																				7	15	27
	200																					6	13
	225																					2	8
	250																						4
	315																						
400																							
500																							

Maximum number of cable glands

M	Side	
	A/B	C/D
12	125	98
16	58	43
20	43	34
25	24	18
32	13	10
40	8	6
50	6	4
63	6	4
75		
85		

DIN rail	TS 35
Length (mm)	244
max. fitting length (mm)	199
External earth stud	M10



Ex stainless steel flange ProtEx

Technical details



Order no.	Product type	Dimensions H x W x D (mm)
34.06 06 00	ProtExB 06	480 x 480 x 205
35.06 06 00	ProtExe 06	480 x 480 x 205
36.06 06 00	ProtExi 06	480 x 480 x 205

N	M														
	1,5	2,5	4	6	10	16	25	35	50	70	95	120	150	185	240
6	602	483	348	264	175	116	69	69	36	28	14	11	11	10	10
10	5	5	5	4	4	4	3	3	2	2	2	1	1	1	1
16	6	79	144												
20	13	33	57	96											
25	16	35	57												
35			11	27	51										
50				4	21	43	138								
63					7	24	46								
80						10	25	42							
100							11	23	42						
125								10	22	41					
160									8	19	34	86			
200										8	16	27	47		
225										3	10	18	28	57	
250											5	12	20	32	
315												3	7	14	25
400														3	10
500															

Maximum number of cable glands

M	Side	
	A/B	C/D
12	201	179
16	91	79
20	70	63
25	38	34
32	22	19
40	12	9
50	10	8
63	8	8
75		
85		

DIN rail	TS 35
Length (mm)	418
max. fitting length (mm)	373
External earth stud	M10



Order no.	Product type	Dimensions H x W x D (mm)
34.06 07 00	ProtExB 07	500 x 350 x 205
35.06 07 00	ProtExe 07	500 x 350 x 205
36.06 07 00	ProtExi 07	500 x 350 x 205

N	M														
	1,5	2,5	4	6	10	16	25	35	50	70	95	120	150	185	240
6	450	365	244	184	111	93	50	50	22	18	15	7	7	6	6
10	5	5	5	4	3	3	3	3	2	2	1	1	1	1	1
16	6	72	131												
20	11	30	51	87											
25	15	32	52												
35			10	24	47										
50				3	19	39	125								
63					7	21	42								
80						9	23	38							
100							10	21	38						
125								9	20	37					
160									8	17	30	78			
200										7	15	24	42		
225										2	9	16	26	52	
250											5	11	18	29	
315												2	7	12	23
400														3	9
500															

Maximum number of cable glands

M	Side	
	A/B	C/D
12	147	201
16	67	91
20	53	70
25	28	38
32	16	22
40	8	12
50	8	10
63	6	8
75		
85		

DIN rail	TS 35
Length (mm)	288
max. fitting length (mm)	243
External earth stud	M10



Ex stainless steel flange ProtEx

Technical details



Order no.	Product type	Dimensions H x W x D (mm)
34.06 08 00	ProtExB 08	620 x 450 x 205
35.06 08 00	ProtExe 08	620 x 450 x 205
36.06 08 00	ProtExi 08	620 x 450 x 205

Ø	1,5	2,5	4	6	10	16	25	35	50	70	95	120	150	185	240
	714	576	424	320	196	164	99	84	50	26	26	16	16	13	13
	9	9	8	8	6	5	4	4	3	2	2	1	1	1	1
	6														
	10	82	149												
	16	31	56	93											
	20	13	34	59	99										
	25		17	36	59										
	35			11	27	53									
	50				4	22	44	142							
	63					7	25	48							
	80						10	26	44						
	100							12	23	43					
	125								10	23	42				
	160									9	20	35	88		
	200										8	17	27	48	
	225											3	10	19	29
	250												6	13	20
	315													3	8
	400														14
	500														3

Maximum number of cable glands

M	Side	
	A/B	C/D
12	201	255
16	91	115
20	70	88
25	38	48
32	22	28
40	12	16
50	10	14
63	8	12
75		
85		

DIN rail	TS 35
Length (mm)	438
max. fitting length (mm)	393
External earth stud	M10



Order no.	Product type	Dimensions H x W x D (mm)
34.06 09 00	ProtExB 09	740 x 550 x 205
35.06 09 00	ProtExe 09	740 x 550 x 205
36.06 09 00	ProtExi 09	740 x 550 x 205

Ø	1,5	2,5	4	6	10	16	25	35	50	70	95	120	150	185	240
	1184	952	700	525	300	250	160	120	63	51	34	26	20	17	17
	11	11	9	9	7	7	5	4	3	3	2	2	1	1	1
	6														
	10	92	167												
	16	35	63	104											
	20	15	39	66	111										
	25		19	41	66										
	35			12	31	60									
	50				4	24	49	159							
	63					8	27	54							
	80						11	29	49						
	100							13	26	49					
	125								12	25	47				
	160									10	22	39	99		
	200										9	19	31	54	
	225											3	12	21	33
	250												6	14	23
	315													3	9
	400														16
	500														4

Maximum number of cable glands

M	Side	
	A/B	C/D
12	255	323
16	115	148
20	88	113
25	48	62
32	28	37
40	16	20
50	14	18
63	12	14
75		
85		

DIN rail	TS 35
Length (mm)	488
max. fitting length (mm)	443
External earth stud	M10



Ex stainless steel flange ProtEx

Technical details



Order no.	Product type	Dimensions H x W x D (mm)
34.06 10 00	ProtExB 10	762 x 508 x 205
35.06 10 00	ProtExe 10	762 x 508 x 205
36.06 10 00	ProtExi 10	762 x 508 x 205

N	1,5	2,5	4	6	10	16	25	35	50	70	95	120	150	185	240	
	1071	861	620	470	315	217	126	126	64	50	30	24	20	17	17	
N	11	11	10	10	8	7	5	5	3	3	2	2	1	1	1	
x A	6															
	10	89	162													
	16	34	61	101												
	20	14	38	64	107											
	25		18	40	64											
	35			12	30	58										
	50				4	24	48	155								
	63					8	27	52								
	80						11	28	47							
	100							13	26	47						
	125								11	25	46					
	160									10	21	38	96			
	200										9	18	30	52		
	225										3	11	20	32	64	
	250											6	14	22	36	
	315												3	8	15	28
	400														4	11
	500															

Maximum number of cable glands

M	Side	
	A/B	C/D
12	201	323
16	91	148
20	70	113
25	38	62
32	22	37
40	12	20
50	10	18
63	8	14
75		
85		

DIN rail	TS 35
Length (mm)	446
max. fitting length (mm)	401
External earth stud	M10



Order no.	Product type	Dimensions H x W x D (mm)
34.06 11 00	ProtExB 11	860 x 640 x 205
35.06 11 00	ProtExe 11	860 x 640 x 205
36.06 11 00	ProtExi 11	860 x 640 x 205

N	1,5	2,5	4	6	10	16	25	35	50	70	95	120	150	185	240	
	1612	1300	952	720	459	360	204	192	111	60	60	32	32	28	28	
N	13	13	11	11	9	8	6	5	4	3	3	2	2	2	2	
x A	6															
	10	101	183													
	16	39	69	114												
	20	16	43	72	122											
	25		21	45	73											
	35			14	34	66										
	50				5	27	54	175								
	63					9	30	59								
	80						12	32	54							
	100							15	29	54						
	125								13	28	52					
	160									11	24	43	109			
	200										10	21	34	59		
	225										4	13	23	36	73	
	250											7	16	25	41	
	315												3	10	17	32
	400														4	12
	500															2

Maximum number of cable glands

M	Side	
	A/B	C/D
12	250	358
16	116	158
20	86	126
25	48	68
32	26	38
40	16	18
50	12	16
63	12	16
75		
85		

DIN rail	TS 35
Length (mm)	578
max. fitting length (mm)	533
External earth stud	M10



Ex stainless steel flange ProtEx

Technical details



Order no.	Product type	Dimensions H x W x D (mm)
34.06 12 00	ProtExB 12	914 x 610 x 205
35.06 12 00	ProtExe 12	914 x 610 x 205
36.06 12 00	ProtExi 12	914 x 610 x 205

Ø	1,5	2,5	4	6	10	16	25	35	50	70	95	120	150	185	240
	1701	1377	1024	776	468	325	208	208	117	62	62	30	30	26	26
	14	14	12	12	9	8	6	6	4	3	3	2	2	2	2
x A	6														
	10	100	181												
	16	38	68	113											
	20	16	42	71	120										
	25		20	44	72										
	35			14	33	65									
	50				5	27	54	173							
	63					9	30	58							
	80						12	31	53						
	100							15	29	53					
	125								13	28	51				
	160									11	24	42	108		
	200										10	20	34	59	
	225										4	13	23	36	72
	250											7	16	25	40
	315												3	10	17
400														4	12
500															2

Maximum number of cable glands

M	Side	
	A/B	C/D
12	250	358
16	116	158
20	86	126
25	48	68
32	26	38
40	16	18
50	12	16
63	12	16
75		
85		

DIN rail	TS 35
Length (mm)	548
max. fitting length (mm)	503
External earth stud	M10



Order no.	Product type	Dimensions H x W x D (mm)
34.06 13 00	ProtExB 13	980 x 740 x 205
35.06 13 00	ProtExe 13	980 x 740 x 205
36.06 13 00	ProtExi 13	980 x 740 x 205

Ø	1,5	2,5	4	6	10	16	25	35	50	70	95	120	150	185	240
	2255	1815	1300	975	600	490	280	240	155	102	72	54	40	34	34
	15	15	13	13	10	9	7	6	5	4	3	2	2	2	2
x A	6														
	10	111	201												
	16	43	76	125											
	20	18	47	79	133										
	25		23	49	80										
	35			15	37	72									
	50				5	30	60	192							
	63					10	33	65							
	80						13	35	59						
	100							16	32	59					
	125								14	31	57				
	160									12	27	47	119		
	200										11	23	37	65	
	225										4	14	25	40	80
	250											8	17	28	45
	315												4	11	19
400														5	14
500															2

Maximum number of cable glands

M	Side	
	A/B	C/D
12	294	402
16	134	182
20	106	140
25	56	76
32	32	44
40	16	24
50	16	20
63	12	16
75		
85		

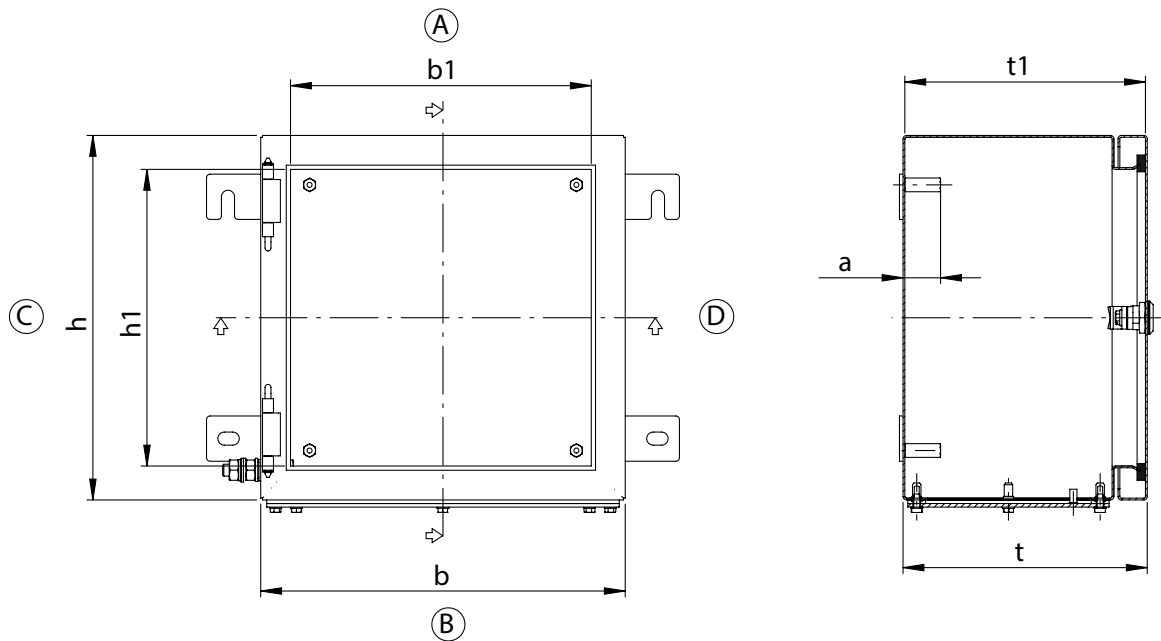
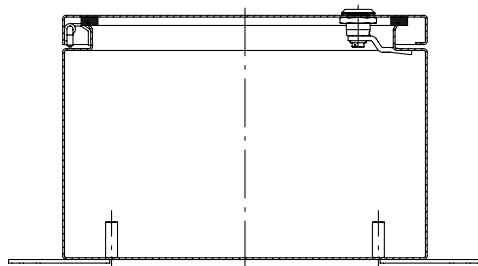
DIN rail	TS 35
Length (mm)	678
max. fitting length (mm)	633
External earth stud	M10



Ex stainless steel flange ProtEx

Technical details

Order no.	b	h	t	b1	h1	t1	a
XX.06 02 00	260	260	205	257	257	202	31,5
XX.06 03 00	306	306	205	303	303	202	31,5
XX.06 04 00	260	380	205	257	377	202	31,5
XX.06 05 00	382	458	205	379	455	202	31,5
XX.06 06 00	480	480	205	477	477	202	31,5
XX.06 07 00	350	500	205	347	497	202	31,5
XX.06 08 00	450	620	205	447	617	202	31,5
XX.06 09 00	550	740	205	547	737	202	31,5
XX.06 10 00	508	762	205	505	759	202	31,5
XX.06 11 00	640	860	205	637	857	202	31,5
XX.06 12 00	610	914	205	607	911	202	31,5
XX.06 13 00	740	980	205	737	977	202	31,5



For detailed drawings visit www.rose-pw.de



Stainless Steel Cabinets Ex IGS



- + High-quality enclosure system for aggressive areas according ATEX and IECEx scheme
- + Empty enclosures with U-approval for individual fittings and Ex eb / Ex ia terminal enclosures
- + With covered hinges and double ward lock

Included in delivery

Empty enclosure: Enclosure with hinged lid, double ward lock, silicone seal and external earth connection.

Junction box: depending on design with hinged lid, double ward lock, silicone seal, external earth, DIN rail, internal earth connection, terminals.

Technical datas

Explosion protection	II 2 G Ex eb IIC T6/T5/T4 Gb II 2 G Ex ia IIC T6/T5/T4 Gb II 2 G Ex db eb ia [ia] mb IIC T6/T5/T4 Gb II 3 G Ex eb db mb ia [ia Ga] nA nC [op is] IIC T6, T5, T4 Gc II 2 D Ex tb IIIC T85 °C/T100 °C/T135 °C Db IP66
Certificates	PTB 00 ATEX 1101U IECEX PTB 07.0059U EAC RU C-DE.AA87.B.00637
Material	Stainless steel 1.25 mm or 1.5 mm; 14301/304, 1.4404/316L on request
Ingress protection	IP66 to EN 60529
Surface	grinded, grain 240
Impact resistance	7 Joule to EN 60079-0
Temperature range	-55 °C to +135 °C
Other execution on request	EMC



Stainless Steel Cabinets Ex IGS

Product overview

Ex e		Ex Empty		Ex i		Dimensions H x W x D (mm)	Weight (g)
Order no.	Product type	Order no.	Product type	Order no.	Product type		
35.00 22 09	IGSExe 35010	34.00 22 09	IGSExB 34010	36.00 22 09	IGSExi 36010	250 x 200 x 97	2350
35.00 22 15	IGSExe 35015	34.00 22 15	IGSExB 34015	36.00 22 15	IGSExi 36015	250 x 200 x 157	2880
35.00 32 09	IGSExe 35020	34.00 32 09	IGSExB 34020	36.00 32 09	IGSExi 36020	250 x 350 x 97	3490
35.00 33 16	IGSExe 35025	34.00 33 16	IGSExB 34025	36.00 33 16	IGSExi 36025	300 x 300 x 167	4360
35.00 44 16	IGSExe 35030	34.00 44 16	IGSExB 34030	36.00 44 16	IGSExi 36030	380 x 380 x 167	6080
35.00 44 21	IGSExe 35035	34.00 44 21	IGSExB 34035	36.00 44 21	IGSExi 36035	380 x 380 x 217	6820
35.00 53 16	IGSExe 35040	34.00 53 16	IGSExB 34040	36.00 53 16	IGSExi 36040	300 x 500 x 167	6350
35.00 63 16	IGSExe 35045	34.00 63 16	IGSExB 34045	36.00 63 16	IGSExi 36045	300 x 600 x 167	8750
35.00 64 21	IGSExe 35050	34.00 64 21	IGSExB 34050	36.00 64 21	IGSExi 36050	380 x 600 x 217	11420
35.00 99 99	IGSExe 35055	34.00 99 99	IGSExB 34055	36.00 99 99	IGSExi 36055	Special size on request	

Terminal mounting

	Phoenix Contact											
	TS 15	TS 15	TS 35	TS 35	TS 35	TS 35	TS 35	TS 35	TS 35	TS 35		
DIN rail	TS 15	TS 15	TS 35	TS 35	TS 35	TS 35	TS 35	TS 35	TS 35	TS 35		
Nominal cross section (mm ²)	2,5	4	2,5	4	6	10	16	35	50	95		
Voltage (V)	352	352	690	690	690	690	690	690	690	880		
Terminal width (mm)	5,2	6,2	5,2	6,2	8,2	10,2	12,2	16,2	20	25		
Terminal type												
Enclosure type	MUT 2,5	MUT 4	UT 2,5	UT 4	UT 6	UT 10	UT 16	UT 35	UKH 50	UKH 95		PE bar 1,5 to 6 mm ²
XX.00 22 09	58	48	58	48	36	28	12	9				
XX.00 22 15	58	48	58	48	36	28	12	9				
XX.00 32 09	116	96	116	96	72	29	24	18				
XX.00 33 16	80	80	80	80	60	48	40	15	12			
XX.00 44 16	189	159	189	159	120	96	81	40	17	13		18
XX.00 44 21	189	159	189	159	120	96	81	40	17	13		18
XX.00 53 16	172	144	172	144	110	88	74	27	26	18		24
XX.00 63 16	210	176	210	176	134	108	90	34	27	22		29
XX.00 64 21	315	264	315	264	201	162	135	68	27	22		29

Other suppliers on request



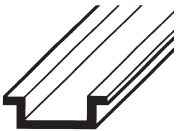
Stainless Steel Cabinets Ex IGS

Accessories

Order no.	DIN rails	Mounting plate
XX.00 22 09	•	•
XX.00 22 15	•	•
XX.00 32 09	•	•
XX.00 33 16	•	•
XX.00 44 16	•	•
XX.00 44 21	•	•
XX.00 53 16	•	•
XX.00 63 16	•	•
XX.00 64 21	•	•
XX.00 99 99		

Accessories

DIN rails



Order no.	Version
10.06 14 37	TS 35/7.5 for XX.00 22 09, XX.00 22 15
10.06 14 25	TS 35/7.5 for XX.00 32 09
10.06 14 36	TS 35/7.5 for XX.00 33 16
10.06 14 39	TS 35/7.5 for XX.00 44 16, XX.00 44 21
10.06 14 40	TS 35/7.5 for XX.00 53 16
10.06 14 42	TS 35/7.5 for XX.00 63 16

External mounting brackets



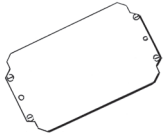
set = 4 pcs

Order no.	
37.10 50 00	External mounting bracket
37.99 00 01	Mounting set

Stainless Steel Cabinets Ex IGS

Accessories

Mounting plate



Order no.	Version
10.01 10 66	for XX.00 22 09, XX.00 22 15
10.01 10 67	for XX.00 32 09
10.01 10 44	for XX.30 30 12, XX.30 30 16, XX.00 33 16
10.01 10 45	for XX.38 38 16, XX.00 44 16, XX.00 44 21
10.01 10 57	for XX.50 30 16, XX.00 53 16
10.01 10 68	for XX.00 63 16
10.01 10 69	for XX.00 64 21

PE bar



Order no.	Version
12.05 43 04	for XX.20 10 06, XX.20 20 08, XX.00 22 09, XX.00 22 15
12.05 43 25	for XX.00 32 09
12.05 43 07	for XX.30 15 08, XX.30 20 08, XX.30 20 12, XX.30 30 12, XX.30 30 16, XX.00 33 16
12.05 43 12	for XX.38 38 16, XX.00 44 16, XX.00 44 21
12.05 43 16	for XX.50 30 16, XX.50 40 16, XX.00 53 16
12.05 43 17	for XX.60 20 12, XX.00 63 16, XX.00 64 21



Stainless Steel Cabinets Ex IGS

Technical details



Order no.	Product type	Dimensions H x W x D (mm)
34.00 22 09	IGSExB 34010	250 x 200 x 97
35.00 22 09	IGSExe 35010	250 x 200 x 97
36.00 22 09	IGSExi 36010	250 x 200 x 97

		1,5	2,5	4	6	10	16	25	35	50	70	95
		76	60	50	38	24	13	10	10			
		2	2	2	2	2	1	1	1			
x 	6											
	10	37	67									
	16	14	25	41								
	20	6	15	26	44							
	25		7	16	26							
	35			5	12	24						
	50					10	20	64				
	63					3	11	21				
	80						4	11	19			
	100							5	10			
	125								4			
	160											
	200											
	225											
	250											
	315											
400												
500												

Maximum number of cable glands

M	Side	
	A/B	C/D
12	38	36
16	20	17
20	12	8
25	5	6
32	3	
40	3	
50		
63		
75		
85		

DIN rail	TS 35
Length (mm)	190
max. fitting length (mm)	152
External earth (mm ²)	16



Order no.	Product type	Dimensions H x W x D (mm)
34.00 22 15	IGSExB 34015	250 x 200 x 157
35.00 22 15	IGSExe 35015	250 x 200 x 157
36.00 22 15	IGSExi 36015	250 x 200 x 157

		1,5	2,5	4	6	10	16	25	35	50	70	95
		76	60	50	38	24	13	10	10			
		2	2	2	2	2	1	1	1			
x 	6											
	10	47	86									
	16	18	32	53								
	20	7	20	34	57							
	25		9	21	34							
	35			6	16	31						
	50				2	12	25	82				
	63					4	14	28				
	80						5	15	25			
	100							7	13			
	125								6			
	160											
	200											
	225											
	250											
	315											
400												
500												

Maximum number of cable glands

M	Side	
	A/B	C/D
12	76	75
16	35	36
20	30	30
25	12	15
32	8	8
40	6	5
50	3	3
63	3	3
75		
85		

DIN rail	TS 35
Length (mm)	190
max. fitting length (mm)	152
External earth (mm ²)	16



Stainless Steel Cabinets Ex IGS

Technical details



Order no.	Product type	Dimensions H x W x D (mm)
34.00 32 09	IGSExB 34020	250 x 350 x 97
35.00 32 09	IGSExe 35020	250 x 350 x 97
36.00 32 09	IGSExi 36020	250 x 350 x 97

		1,5	2,5	4	6	10	16	25	35	50	70	95
		150	125	100	74	36	30	20	20			
		2	2	2	2	1	1	1	1			
x A	6											
	10	42	77									
	16	16	29	48								
	20	7	18	30	51							
	25		8	19	31							
	35			6	14	27						
	50				2	11	23	74				
	63					4	13	25				
	80						5	13	22			
	100							6	12			
	125								5			
	160											
	200											
	225											
	250											
	315											
	400											
500												

Maximum number of cable glands



M	Side	
	A/B	C/D
12	74	36
16	24	17
20	24	8
25	11	6
32	7	
40	5	
50		
63		
75		
85		

DIN rail	TS 35
Length (mm)	340
max. fitting length (mm)	302
External earth (mm ²)	16



Order no.	Product type	Dimensions H x W x D (mm)
34.00 33 16	IGSExB 34025	300 x 300 x 167
35.00 33 16	IGSExe 35025	300 x 300 x 167
36.00 33 16	IGSExi 36025	300 x 300 x 167

		1,5	2,5	4	6	10	16	25	35	50	70	95
		126	102	87	63	51	40	16	16	12		
		2	2	2	2	2	2	1	1	1		
x A	6											
	10	55	100									
	16	21	38	62								
	20	9	23	39	67							
	25		11	24	40							
	35			7	18	36						
	50				2	15	30	96				
	63					5	16	32				
	80						6	17	29			
	100							8	16	29		
	125								7	15		
	160									6		
	200											
	225											
	250											
	315											
	400											
500												

Maximum number of cable glands



M	Side	
	A/B	C/D
12	110	88
16	55	52
20	48	38
25	23	21
32	15	11
40	8	8
50	7	5
63	5	4
75		
85		

DIN rail	TS 35
Length (mm)	290
max. fitting length (mm)	252
External earth (mm ²)	25



Stainless Steel Cabinets Ex IGS

Technical details



Order no.	Product type	Dimensions H x W x D (mm)
34.00 44 16	IGSExB 34030	380 x 380 x 167
35.00 44 16	IGSExe 35030	380 x 380 x 167
36.00 44 16	IGSExi 36030	380 x 380 x 167

		1,5	2,5	4	6	10	16	25	35	50	70	95	
		240	195	162	123	99	81	44	44	17	13	13	
		3	3	3	3	3	3	2	2	1	1	1	
x 	6												
	10	62	113										
	16	24	43	71									
	20	10	26	45	75								
	25		13	28	45								
	35			8	21	41							
	50				3	16	34	109					
	63					6	19	36					
	80						7	19	33				
	100							9	18	33			
	125								8	17	32		
	160									7	15	26	
	200										6	13	
	225										2	8	
	250											4	
	315												
	400												
500													

Maximum number of cable glands



M	Side	
	A/B	C/D
12	160	140
16	70	56
20	60	48
25	27	27
32	21	14
40	12	10
50	9	6
63	7	5
75		
85		

DIN rail	TS 35
Length (mm)	370
max. fitting length (mm)	332
External earth (mm ²)	50



Order no.	Product type	Dimensions H x W x D (mm)
34.00 44 21	IGSExB 34035	380 x 380 x 217
35.00 44 21	IGSExe 35035	380 x 380 x 217
36.00 44 21	IGSExi 36035	380 x 380 x 217

		1,5	2,5	4	6	10	16	25	35	50	70	95	
		240	195	162	123	99	81	44	44	17	13	13	
		3	3	3	3	3	3	2	2	1	1	1	
x 	6												
	10	71	130										
	16	27	49	81									
	20	11	30	51	86								
	25		15	32	52								
	35			10	24	46							
	50				3	19	38	124					
	63					6	21	42					
	80						9	22	38				
	100							10	20	38			
	125								9	20	37		
	160									8	17	30	
	200										7	14	
	225										2	9	
	250											5	
	315												
	400												
500													

Maximum number of cable glands



M	Side	
	A/B	C/D
12	220	200
16	98	84
20	84	72
25	45	36
32	28	21
40	18	14
50	12	9
63	9	8
75		
85		

DIN rail	TS 35
Length (mm)	370
max. fitting length (mm)	332
External earth (mm ²)	50



Stainless Steel Cabinets Ex IGS

Technical details



Order no.	Product type	Dimensions H x W x D (mm)
34.00 53 16	IGSExB 34040	300 x 500 x 167
35.00 53 16	IGSExe 35040	300 x 500 x 167
36.00 53 16	IGSExi 36040	300 x 500 x 167

		1,5	2,5	4	6	10	16	25	35	50	70	95												
		214	172	144	108	88	72	29	29	26	18	18												
		2	2	2	2	2	2	1	1	1	1	1												
x A	6	N																						
	10												60	109										
	16												23	41	68									
	20												10	25	43	72								
	25													12	27	43								
	35														8	20	39							
	50															3	16	32	105					
	63																5	18	35					
	80																	7	19	32				
	100																		9	17	32			
	125																			7	17	31		
	160																				6	14	25	
	200																					6	12	
	225																						2	7
	250																							4
	315																							
	400																							
500																								

Maximum number of cable glands

M	Side	
	A/B	C/D
12	216	88
16	92	52
20	85	38
25	36	21
32	26	11
40	14	8
50	12	5
63	9	4
75		
85		

DIN rail	TS 35
Length (mm)	490
max. fitting length (mm)	452
External earth (mm ²)	50



Order no.	Product type	Dimensions H x W x D (mm)
34.00 63 16	IGSExB 34045	300 x 600 x 167
35.00 63 16	IGSExe 35045	300 x 600 x 167
36.00 63 16	IGSExi 36045	300 x 600 x 167

		1,5	2,5	4	6	10	16	25	35	50	70	95												
		260	210	176	134	106	90	36	36	27	22	22												
		2	2	2	2	2	2	1	1	1	1	1												
x A	6	N																						
	10												62	112										
	16												24	42	70									
	20												10	26	44	75								
	25													13	27	45								
	35														8	21	40							
	50															3	16	33	108					
	63																6	18	36					
	80																	7	19	33				
	100																		9	18	33			
	125																			8	17	32		
	160																				7	15	26	
	200																					6	12	
	225																						2	8
	250																							4
	315																							
	400																							
500																								

Maximum number of cable glands

M	Side	
	A/B	C/D
12	231	88
16	115	52
20	100	38
25	45	21
32	33	11
40	17	8
50	16	5
63	11	4
75		
85		

DIN rail	TS 35
Length (mm)	590
max. fitting length (mm)	551,5
External earth (mm ²)	50



Stainless Steel Cabinets Ex IGS

Technical details



Order no.	Product type	Dimensions H x W x D (mm)
34.00 64 21	IGSExB 34050	380 x 600 x 217
35.00 64 21	IGSExe 35050	380 x 600 x 217
36.00 64 21	IGSExi 36050	380 x 600 x 217

Maximum number of cable glands		
M	Side	
	A/B	C/D
12	330	200
16	176	84
20	140	72
25	75	36
32	44	21
40	27	14
50	20	9
63	15	8
75		
85		

	1,5	2,5	4	6	10	16	25	35	50	70	95	
	393	318	267	201	162	135	72	72	27	22	22	
	3	3	3	3	3	3	2	2	1	1	1	
	6											
	10	78	142									
	16	30	53	88								
	20	12	33	56	94							
	25		16	35	56							
	35			11	26	51						
	50				4	21	42	136				
	63					7	23	46				
	80						9	24	42			
	100							11	22	41		
	125								10	22	40	
	160									8	19	33
	200										7	16
	225										3	10
	250											5
	315											
400												
500												

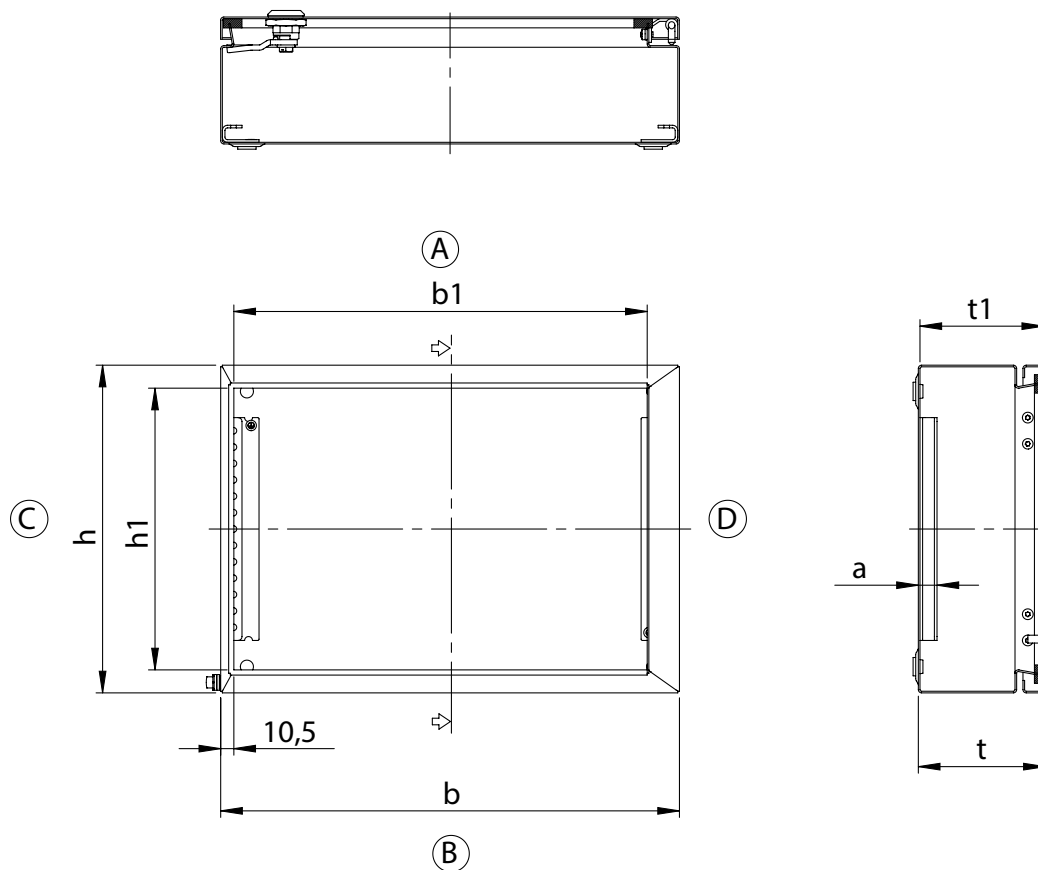
DIN rail	TS 35
Length (mm)	590
max. fitting length (mm)	551,5
External earth (mm ²)	50



Stainless Steel Cabinets Ex IGS

Technical details

Order no.	b	h	t	b1	h1	t1	a
XX.00 22 09	200	250	97	197,5	247,5	94,5	13
XX.00 22 15	200	250	157	197,5	247,5	154,5	13
XX.00 32 09	350	250	97	347,5	247,5	94,5	13
XX.00 33 16	300	300	167	297,5	297,5	164,5	13
XX.00 44 16	380	380	167	377,5	377,5	164,5	13
XX.00 44 21	380	380	217	377,5	377,5	214,5	13
XX.00 53 16	500	300	167	497,5	297,5	164,5	13
XX.00 63 16	600	300	167	597	297	164	13
XX.00 64 21	600	380	217	597	377	214	13



For detailed drawings visit www.rose-pw.de

