

Inclining adapter



- Inclining adapter for individual connections between enclosure and ROSE suspension systems or for wall mounting
- Simply handling by open design
- Stepped adjuster allows inclination to suit your application

Included in delivery:

Inclining adapter, pre-assembled flange plates, sealings and mounting material

Technical data

Material:

Sheet steel 2,5 mm

Bellow: PVC, RAL 9005 (jet black)

Painting

Powder coating

Colour:

RAL 9005, jet black

Temperature range:

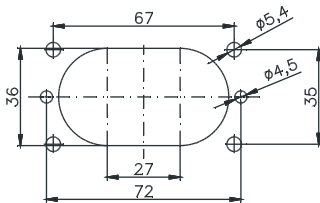
-40°C to +60°C

Inclining adapter

Product range

for Limanda and other small enclosures	Order No.	Weight (g)
Inclining adapter for mounting onto walls or machine	50.02 00 01	1286
Inclining adapter for suspension system GT 48/2 (tube)	50.02 00 02	986
Inclining adapter for suspension system GTK electronic	50.02 00 03	1004
Inclining adapter for suspension system GT 48/2 or GTK electronic	50.02 00 04	900
Inclining adjustment	50.02 01 01	1050
Inclining adapter stainless steel	50.02 10 01	1286
for large Commander enclosures (Commander 1/1F, SL 3000)		
Coupling A-DN	49.85 03 01	1600
Flange A-DN	49.85 05 00	600

Drilling pattern for Limanda or other enclosures (Order No. 50.02 00 01 to 50.02 00 04)



Inclining adapter

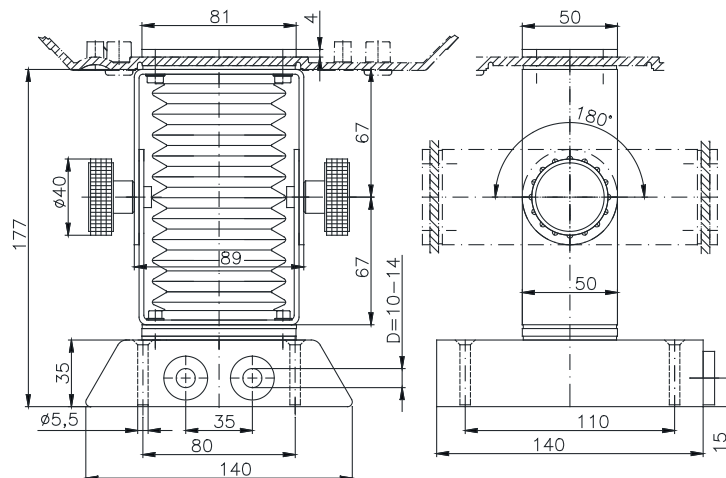
for mounting onto wall or machine

Sheet steel parts for inclined mounting of a Limanda or other enclosure. Two cable exits optionally top or bottom with rubber nozzles. Dust and damp protection by bellow (black).

Enclosure rating IP 54 up to fastening flange.

Swivelling range 180° in 22.5° steps, adjusted with knurled screw.

Order No. **50.02 00 01**



Inclining adapter

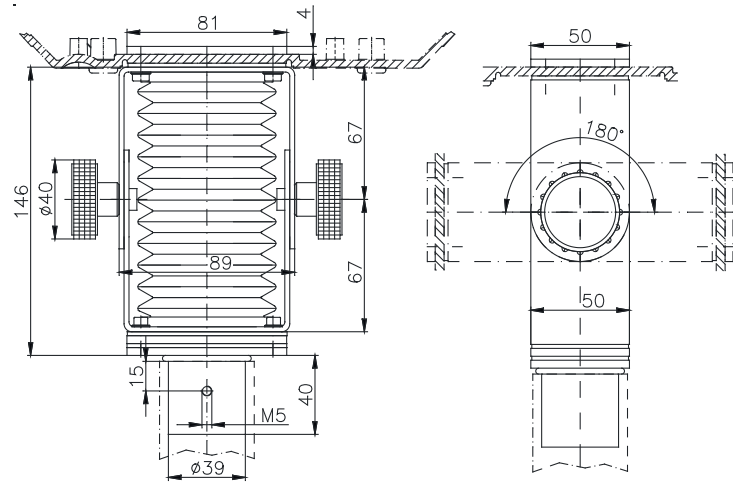


Inclining adapter for GT 48/2 (tube)

Sheet steel parts for inclined mounting of a Limanda or other enclosure. Mounted directly onto the circular tube of the GT 48/2 rack system. Fastened to the tube via olive rings (the thread in the circular tube is attached afterwards). Enclosure rating IP 54 once assembled. Dust and damp protection by bellow (black).

Swivelling range 180° in 22.5° steps, adjusted with knurled screw.

Order No. **50.02 00 02**

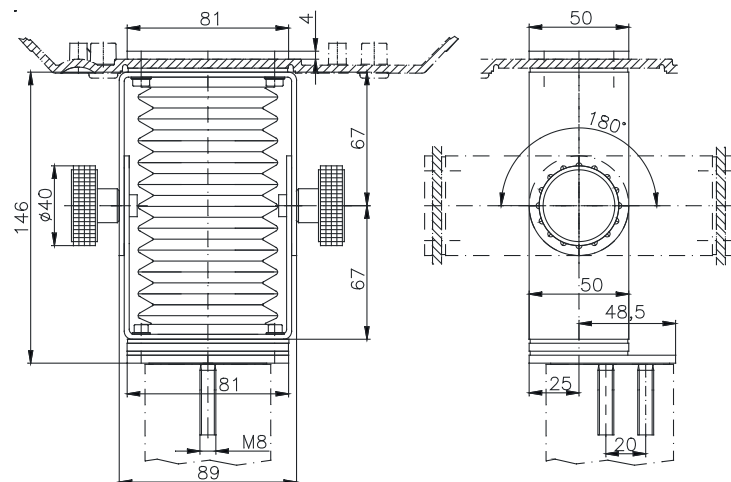


Inclining adapter for GTK electronic

Sheet steel parts for inclined mounting of a Limanda or other enclosure. Mounted directly onto the connecting tube of the GTK electronic rack system. Flange mounted onto tube with self-tapping screws.

Enclosure rating IP 54 once assembled. Dust and damp protection by bellow (black). Swivelling range 180° in 22.5° steps, adjusted with knurled screw.

Order No. **50.02 00 03**



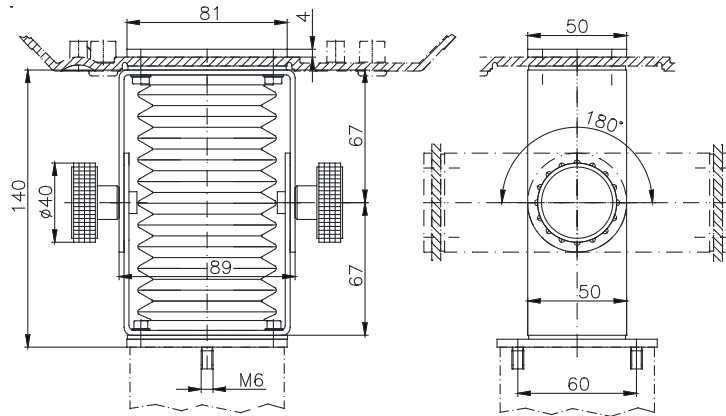
Inclining adapter



Inclining adapter for GT 48/2 / GTK electronic

Sheet steel parts for inclined mounting of a Limanda or other enclosure. Attached to the GT 48/2 or GTK electronic rack system flange coupling with flange plate. Enclosure rating IP 54 once assembled. Dust and damp protection by bellow (black). Swivelling range 180° in 22.5° steps, adjusted with knurled screw.

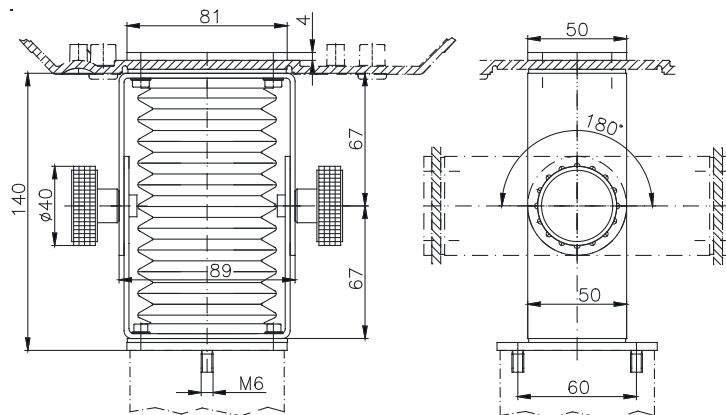
Order No. **50.02 00 04**



Inclining adapter stainless steel

parts for inclined mounting of a Limanda or other enclosure. Attached to the GT 48/2 or GTK electronic rack system flange coupling with flange plate. Enclosure rating IP 54 once assembled. Dust and damp protection by bellow (black). Swivelling range 180° in 22.5° steps, adjusted with knurled screw.

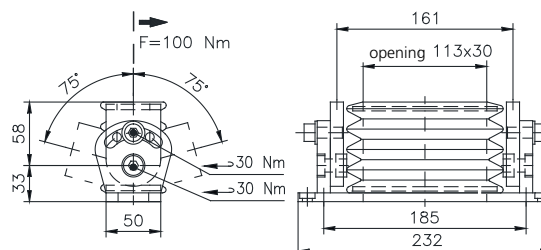
Order No. **50.02 10 01**



Inclining adjustment

Continuously variable inclining system (+/- 75°) for Commander systems. System consisting in aluminium elements with bellow. Scope of supply: base unit without adaptation plate

Order No. **50.02 01 01**



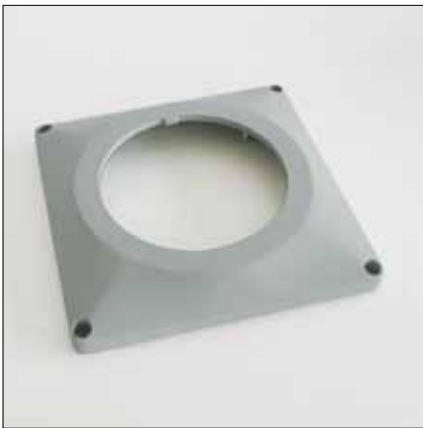
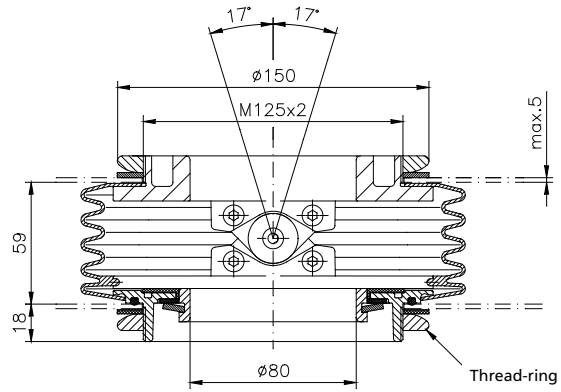
Inclining adapter



A-DN coupling

Swivelling and inclining coupling for direct connection of enclosures. Dust and damp protection by bellow (black). Enclosure rating IP 65
 Swivelling range 330°
 Inclination range +/- 17°

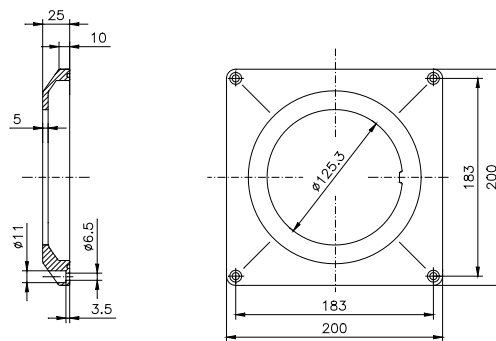
Order No. **49.85 03 01**



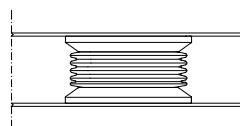
A-DN flange

Cast aluminium part for flange mounting of A-DN coupling, with twist protection, powdered light grey RAL 7035.

Order No. **49.85 05 00**



Mounting of A-DN coupling with two flanges



Mounting of A-DN coupling with one flange

