

## Moterm II



- Mobile stand system for control components
- Version with 4 rollers or with foot stand
- Fixed or height-adjustable version with pneumatic spring
- Optionally foot stand for anchoring

### Included in delivery

Moterm with integrated tilt adjustment for adapter plate for control systems  
(Please order adapter plate separately)

### Technical Data

#### Material:

Base and stand profile: Aluminium profile system DIN EN 573 EN AW-ALMgSi

#### Colour:

Base: RAL 9005, black

Stand profile: plain anodised, powder-coated optional

#### Maximum static load:

80kg

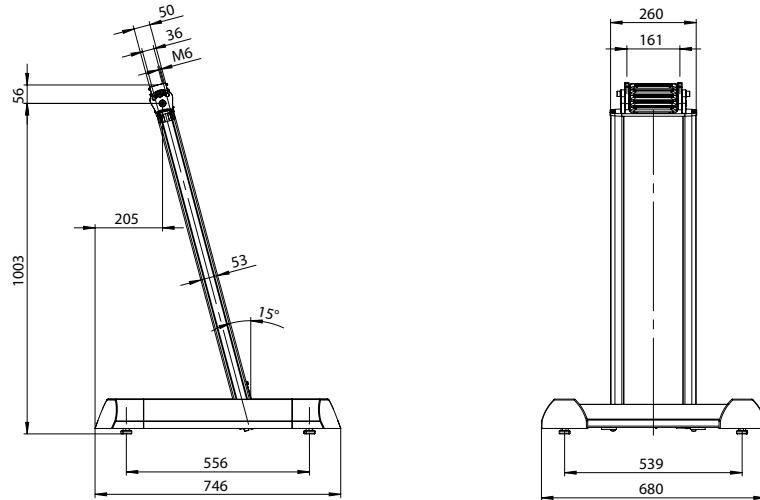
## Moterm II



### Moterm x11

Version with levelling feet to adjust for floor irregularities – as a stand system  
Version with fixed height (966 mm), other height or base dimensions on request

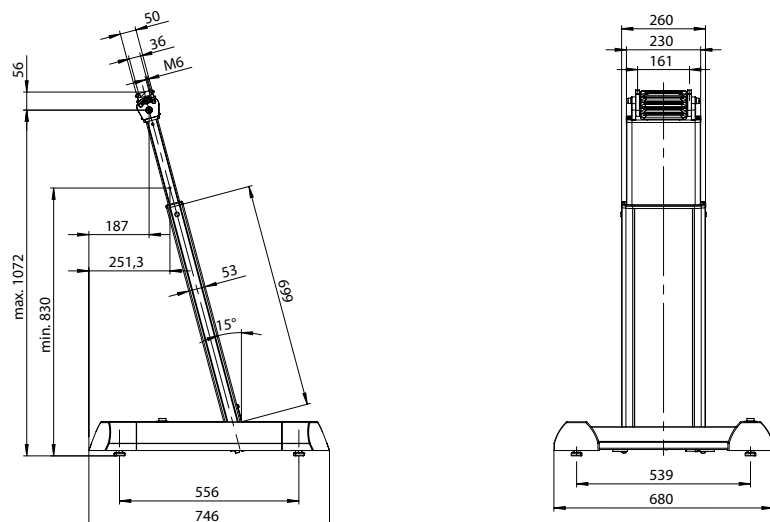
Order No.	Type	Height	Description	Load
<b>50.01 03 11</b>	Moterm 311	1059 mm	fixed height, with foot stand	8 - 80 kg
<b>50.01 09 11</b>	Moterm 911	customized	fixed height, with foot stand	customized



### Moterm x12

Version with levelling feet to adjust for floor irregularities – as a stand system  
Version with pneumatic spring and release mechanism  
Height can be adjusted from 750mm to 1000mm  
for load ranges from 8 to 50kg; other load values on request

Order No.	Type	Height	Description	Load
<b>50.01 03 12</b>	Moterm 312	886 mm to 1128 mm	manually adjustable, with food stand	8 - 15 kg
<b>50.01 04 12</b>	Moterm 412	886 mm to 1128 mm	manually adjustable, with food stand	16 - 22 kg
<b>50.01 05 12</b>	Moterm 512	886 mm to 1128 mm	manually adjustable, with food stand	23 - 30 kg
<b>50.01 06 12</b>	Moterm 612	886 mm to 1128 mm	manually adjustable, with food stand	31 - 40 kg
<b>50.01 07 12</b>	Moterm 712	886 mm to 1128 mm	manually adjustable, with food stand	41 - 50 kg
<b>50.01 09 12</b>	Moterm 912	886 mm to 1128 mm	manually adjustable, with food stand	customized



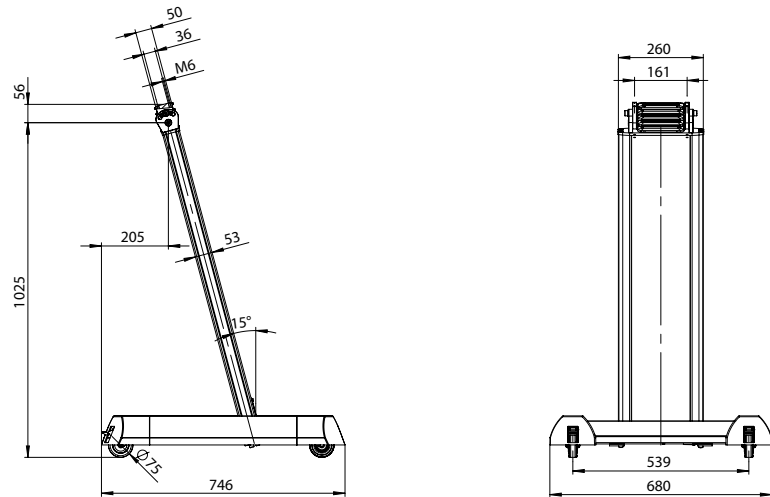
# Moterm II



## Moterm x14

Version with 4 rollers, 2 movable and 2 locking rollers  
Version with fixed height (984 mm), other height or base dimensions on request

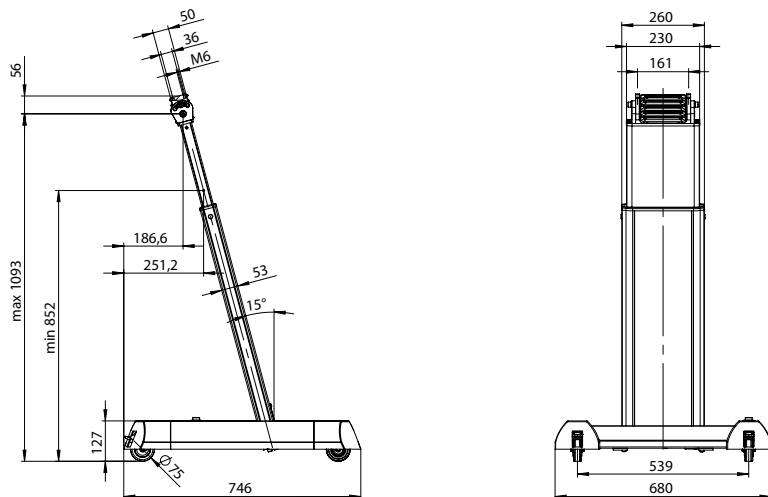
Order No.	Type	Height	Description	Load
50.01 03 14	Moterm 314	1081 mm	fixed height, 4 rollers	8 - 80 kg
50.01 09 14	Moterm 914	variable version	fixed height, 4 rollers	customized



## Moterm x15

Version with 4 rollers, 2 movable and 2 locking rollers,  
with pneumatic spring and release mechanism  
Height can be adjusted from 750mm to 1000mm  
for load ranges from 8 to 50kg; other load values on request

Order No.	Type	Height	Description	Load
50.01 03 15	Moterm 315	886 mm to 1128 mm	manually adjustable, 4 rollers	8 - 15 kg
50.01 04 15	Moterm 415	886 mm to 1128 mm	manually adjustable, 4 rollers	16 - 22 kg
50.01 05 15	Moterm 515	886 mm to 1128 mm	manually adjustable, 4 rollers	23 - 30 kg
50.01 06 15	Moterm 615	886 mm to 1128 mm	manually adjustable, 4 rollers	31 - 40 kg
50.01 07 15	Moterm 715	886 mm to 1128 mm	manually adjustable, 4 rollers	41 - 50 kg
50.01 09 15	Moterm 915	886 mm to 1128 mm	manually adjustable, 4 rollers	customized



# Moterm II

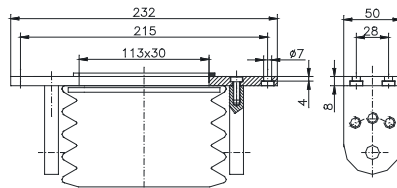
## Product Overview

Order No.	Type	Height	Description	Load
50.01 03 11	Moterm 311	1059 mm	fixed height, with foot stand	8 - 80kg
50.01 09 11	Moterm 911	customized	fixed height, with foot stand	customized
50.01 03 12	Moterm 312	886 mm to 1128 mm	manually adjustable, with food stand	8 - 15kg
50.01 04 12	Moterm 412	886 mm to 1128 mm	manually adjustable, with food stand	16 - 22kg
50.01 05 12	Moterm 512	886 mm to 1128 mm	manually adjustable, with food stand	23 - 30kg
50.01 06 12	Moterm 612	886 mm to 1128 mm	manually adjustable, with food stand	31 - 40kg
50.01 07 12	Moterm 712	886 mm to 1128 mm	manually adjustable, with food stand	41 - 50kg
50.01 09 12	Moterm 912	886 mm to 1128 mm	manually adjustable, with food stand	customized
50.01 03 14	Moterm 314	1081 mm	fixed height, 4 rollers	8 - 80kg
50.01 09 14	Moterm 319	variable version	fixed height, 4 rollers	customized
50.01 03 15	Moterm 315	886 mm to 1128 mm	manually adjustable, 4 rollers	8 - 15kg
50.01 04 15	Moterm 415	886 mm to 1128 mm	manually adjustable, 4 rollers	16 - 22kg
50.01 05 15	Moterm 515	886 mm to 1128 mm	manually adjustable, 4 rollers	23 - 30kg
50.01 06 15	Moterm 615	886 mm to 1128 mm	manually adjustable, 4 rollers	31 - 40kg
50.01 07 15	Moterm 715	886 mm to 1128 mm	manually adjustable, 4 rollers	41 - 50kg
50.01 09 15	Moterm 915	886 mm to 1128 mm	manually adjustable, 4 rollers	customized

## Accessories



Moterm universal adapter plate for connecting to the control enclosure



Moterm feet for anchoring (set = 2 pieces)

Order No.	Type
50.01 02 03	Adapter plate SL 2000 profile 1
50.01 02 04	Adapter plate SL 2000 profile 2
50.01 02 05	Adapter plate SL 2000 profile 3
50.01 02 06	Adapter plate SL 3000 profile 1
50.01 02 07	Adapter plate SL 3000 profile 2 to 4
50.01 02 08	Adapter plate SL 3000 desk version
50.01 02 09	Universal adapter plate (see diagram)
50.01 02 10	Beckhoff CP 7032 adapter plate
50.01 02 11	ComTronic adapter plate
50.01 02 12	Adapter plate SL 3000 profile 4 (direct installation)
50.01 02 13	Flat control adapter
50.01 02 14	Adapter plate SL 4000 profile 1 - 3
50.01 02 15	Adapter plate SL 4000 desk version

Order No. **50.00 01 01**



Locking system for version with rollers



Simple adjustment option for height adjustment



Floor attachment with levelling unit (optionally für anchoring)