

## Height adjustment



- Height adjustment for a flexible work place design
- Supported by gasspring (GTN II lift and slide)
- Gasspring with locking and hydraulic release (GTN II lift)
- Can be combined with ROSE suspension systems (GTN II and GTK electronic)

### Technical data

**Material:**

Connecting tube: DIN EN 573 EN-AW-AlMgSi

Components: DIN EN 1706 EN AC-AISI12(Fe)

Cover profile: plastic TPE

**Colour:**

Tube, components: RAL 7035, light grey

Cover profile: RAL 9005, jet black

**Ingress protection:**

IP 20 to EN 60529

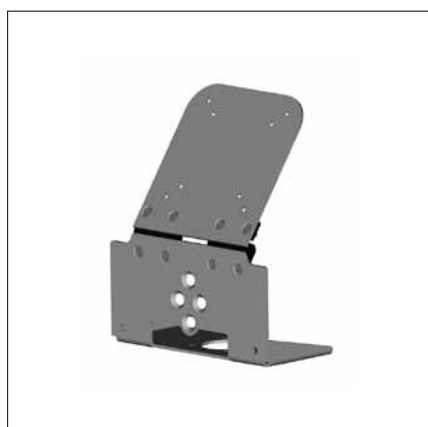
## Product range

	Order No.	Weight (g)
GTN II / GT 48/2	<b>49.47 30 01</b>	9100
GTN II / slide, hanging	<b>49.47 30 02</b>	11000
GTN II / slide, standing	<b>49.47 30 03</b>	11000
GTN II lift, standing	<b>49.47 30 10</b>	15500
GTN II lift, hanging	<b>49.47 30 11</b>	15500
GTN II lift, standing incl. turnable foot stand	<b>49.47 30 12</b>	15500
GTN II lift, hanging incl. angle coupling	<b>49.47 30 13</b>	15500

## Accessories

VESA-connection 80/100 incl. inclining and holder for release	<b>49.47 30 20</b>
Handle set with integrated release incl. VESA-connection 80/100 with inclining adjustment	<b>49.47 30 21</b>
Keyboard rack for handle set 49.47 30 21	<b>49.47 30 22</b>

## Accessories



VESA-connection 80/100 incl. inclining and holder for release

Order No. **49.47 30 20**



Handle set with integrated release incl. VESA-connection 80/100 mit Neigungsverstellung

Order No. **49.47 30 21**



Keyboard rack for 49.47 30 21

Order No. **49.47 30 22**

# Height adjustment



### GTN II lift standing

Height adjustment with gasspring, hydraulic release, dragchain, 150 mm GTK electronic arm for device connection, combinable with GTK electronic components 49.45 66 00; 49.45 70 00; 49.45 72 00; 49.45 75 00; 49.45 78 00

Variable height: 1300 to 2000mm  
Adjustable stroke: 270 mm

Order No. **49.47 30 10**

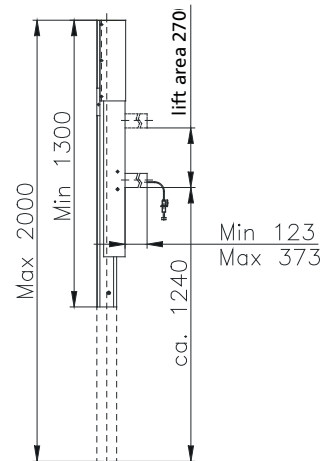


### GTN II lift standing incl. turnable foot stand

Height adjustment with gasspring, hydraulic release, dragchain, turnable foot stand, 150 mm GTK electronic arm for device connection, combinable with GTK electronic components 49.45 66 00; 49.45 70 00; 49.45 72 00; 49.45 75 00; 49.45 78 00

Variable height: 1300 to 2000 mm  
Adjustable stroke: 270 mm

Order No. **49.47 30 12**



### GTN II lift hanging

Height adjustment with gasspring, hydraulic release, dragchain, foot stand fixed, 150mm GTK electronic arm for device connection, combinable with GTK electronic components 49.45 66 00; 49.45 70 00; 49.45 72 00; 49.45 75 00; 49.45 78 00

Variable height: 1400 to 2000 mm  
Adjustable stroke: 270 mm

Order No. **49.47 30 11**

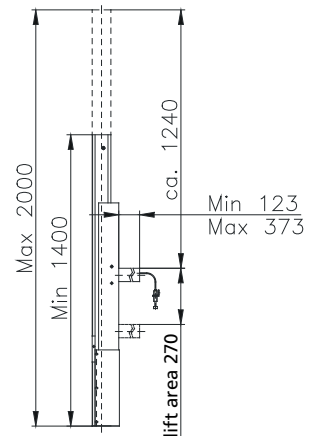


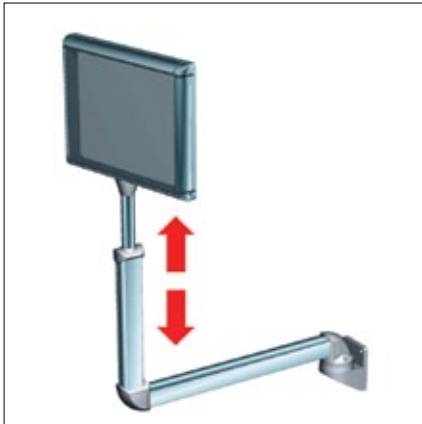
### GTN II lift hanging incl. angle coupling

Height adjustment with gasspring, hydraulic release, dragchain, angle coupling, 150 mm GTK electronic arm for device connection, combinable with GTK electronic components 49.45 66 00; 49.45 70 00; 49.45 72 00; 49.45 75 00; 49.45 78 00

Variable height: 1200 to 2000 mm  
Adjustable stroke: 270 mm

Order No. **49.47 30 13**

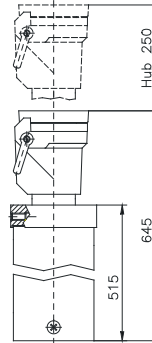




### Height adjustment unit GTN II / GT 48/2

Height adjustment „tube in tube” consisting of: combination GTN II / GT 48/2 tube incl. coupling GT 48/2  
 height adjustment area: 250 mm  
 length of tube GTN II: 515 mm; total length 645 - 895 mm from lower edge GTN II-tube  
 max. loading: 25 kg  
 free cable entry: 40 mm  
 other length GTN II-tube on request

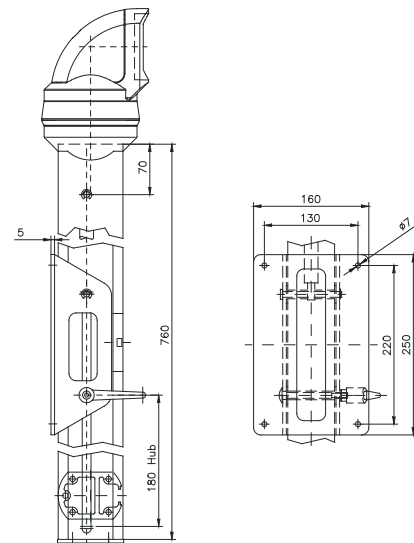
Order No. **49.47 30 01**



### Height adjustment GTN II / slide, hanging

Consisting of tube GTN II open, slide and swivel joint, slide fixing on rear side of the commander system, adjustment by knob  
 height adjustment area: 200 mm (damped by gas spring)  
 total length of tube: 730 mm  
 max. loading: 30 kg  
 swivel range: 330°

Order No. **49.47 30 02**



### Height adjustment GTN II / slide, standing

Consisting of tube GTN II open, slide and swivel joint, slide fixing on rear side of the commander system, adjustment by knob  
 height adjustment area: 200 mm (damped by gas spring)  
 total length of tube: 730 mm  
 max. loading: 30 kg  
 swivel range: 330°

Order No. **49.47 30 03**