



- Keyboard drawer and keyboard tray
- Keyboard holder
- Single and multi interface flaps and flap inserts

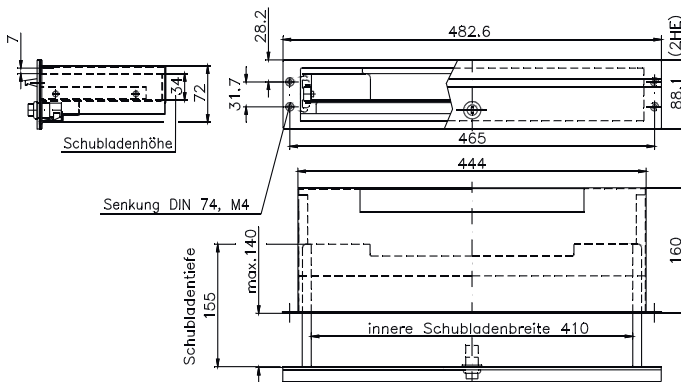
Commander system accessories



Keyboard drawer

Drawer for keyboards, IP 40 to front side.
Installation into command systems: SL 2000, Profile 3; SL 3000, Profile 3 and 4; SL 4000 Profile 3;
optional with keyboard.

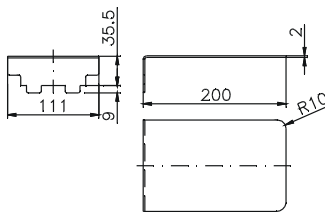
Order No. **10.99 20 01**



Mousepad rack

for keyboard drawer 10.99 20 01

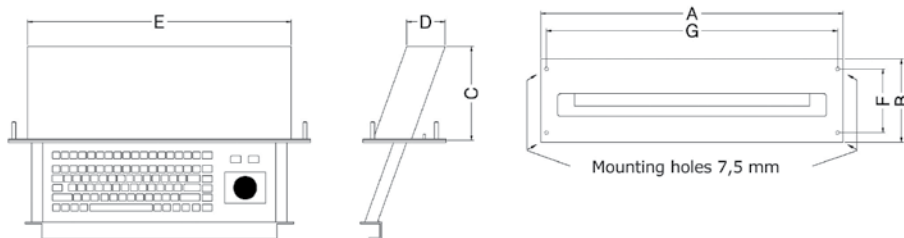
Order No. **10.99 20 02**



Keyboard drawer with inclination 20°

IP 65 to frontside, inclination 20°,
installation into commandersystems: SL 2000, profile 3; SL 3000, profile 3 and 4;
SL 4000 profile 3; optional with keyboard.

Order No.: **10.99 20 03** (front mounting)
10.99 20 04 (rear mounting without front plate)



	A	B	C	D	E	F	G
Dimensions	483	132,5	150	61	421	101,5	465

All figures in mm

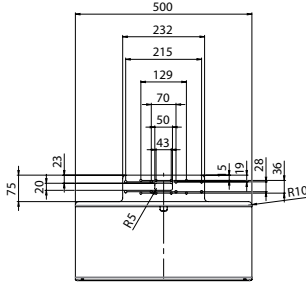
Commander system accessories



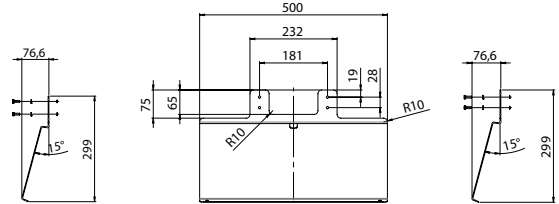
Keyboard tray, mild steel, inclination 15°

For mounting between Moterm and Commander and mounting onto commander with suspension system connection from above (Side A)
Order No. **10.99 20 05**

For mounting between suspension system GTN II and GTS onto Commander (Side B)
Order No. **10.99 20 06**



10.99 20 05



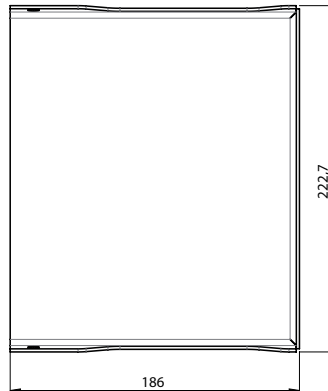
10.99 20 06



Mousepad tray, for Keyboard tray 10.99 20 xx

For side mounting onto keyboard tray (right side or left side)

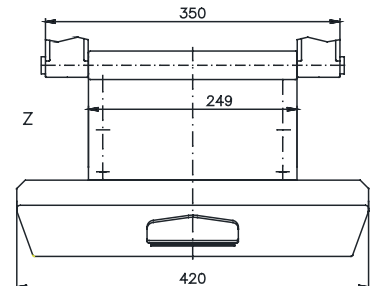
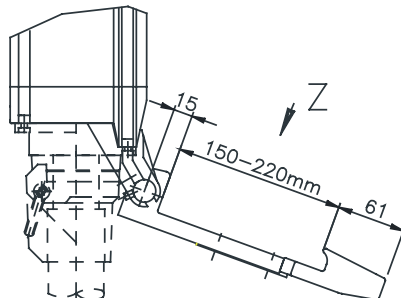
Order No. **10.99 20 07**



Keyboard holder SL 2000

For standard PC keyboards, consisting of mounting elements and keyboard holder

Order No. **19.60 10 04**



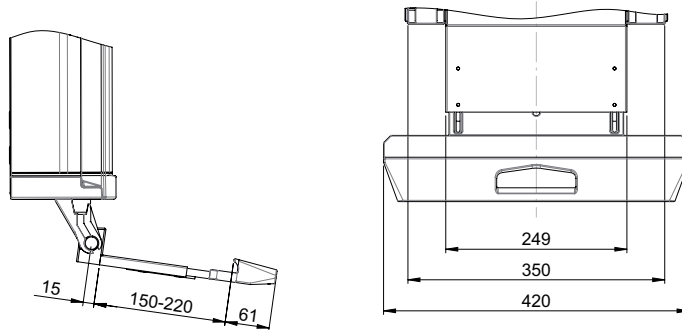
Mounting onto SL 2000 with front panel width ≥ 370 mm. With combination onto suspension system at Side B, please note profile depth and swivel range.

Commander system accessories



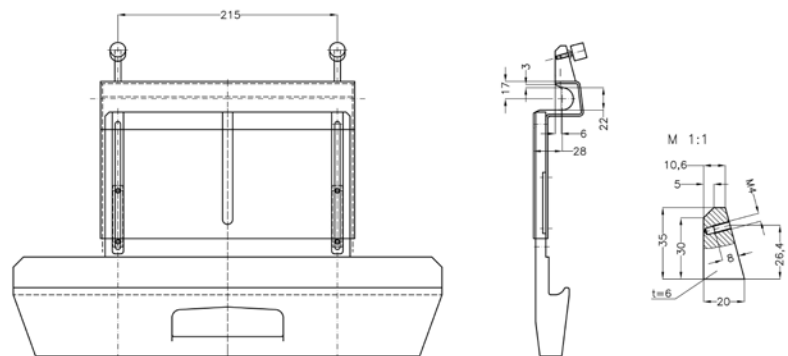
Keyboard holder SL4000
For standard PC keyboards, mounting onto SL 4000
(front plate width > 400 mm); keyboard optionally

Order No. **20.10 90 20**



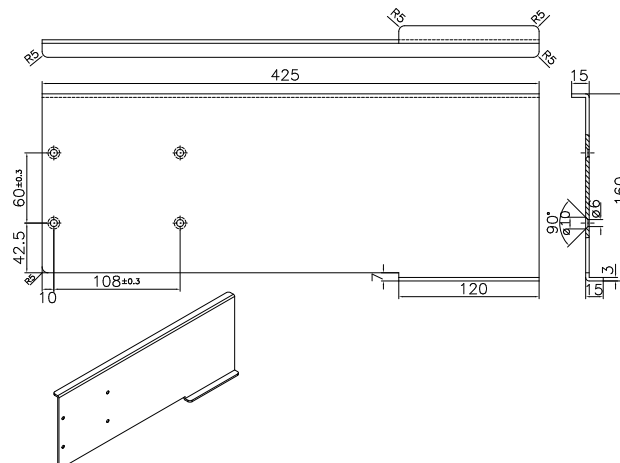
Keyboard holder SL3000
For standard PC keyboards.
Mounting onto SL 3000; Note only possible with handle mounting on side B.

Order No. **20.10 90 21**



Mousepad tray for keyboard holder
For side mounting onto keyboard holder 19.60 10 04, 20.10 90 20 and 20.10 90 21

Order No. **20.10 90 22**

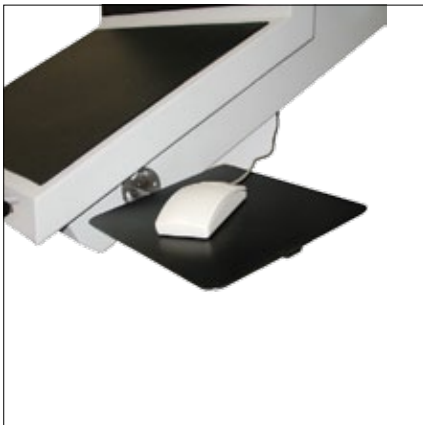
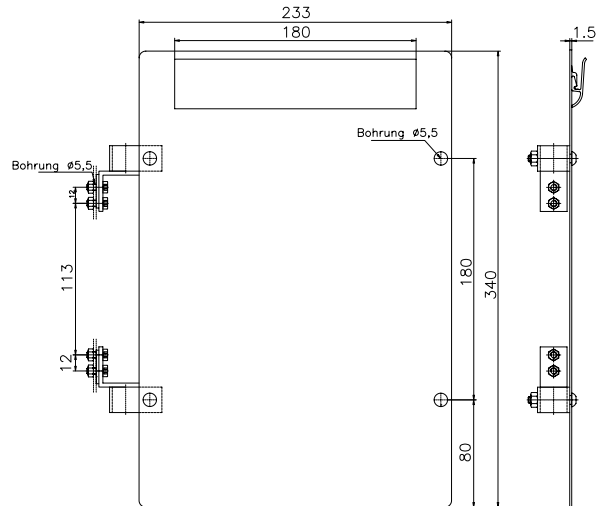




Document holder

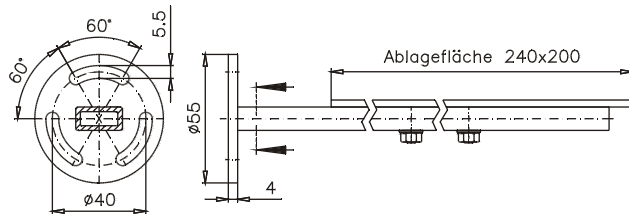
Clipboard with spring clip for sidwise mounting

Order No. **20.60 10 05** for Commander systems SL 2000, SL 3000, SL 4000, Comtronic onto side
20.60 10 04 for fixing onto tube handle at Commander systems



Mousepad rack

Order No. **20.60 10 06**



Wall holder set

For swivelling sidwise mounting onto the wall or machine, lockable in position, pivoting range 180°. Colour: RAL 7035 light grey

Order No. **20.80 90 01** for Comtronic
20.10 90 30 for SL 3000 and SL 4000 profile 2, 3 and 4

Commander system accessories



Hinge set

Hinge for directly mounting onto wall or machine.
2 hinge incl. screws, colour black.

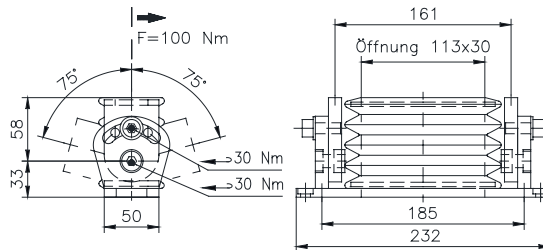
Order No.: **19.60 10 08** for Commander system SL 2000
20.10 90 50 for Commander system SL 4000 Profile 1 and 2
20.10 90 60 for Commander system SL 4000 Profile 3



Inclining system

Continuously variable inclining system (+/- 75°) for Commander systems.
System consisting of aluminium elements with bellow.
Scope of supply: base unit without adaptation plate

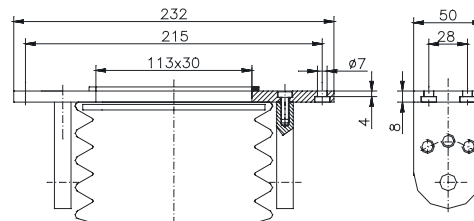
Order No. **50.02 01 01**



Adaptation plate

for connection of inclining system 50.02 01 01 onto control enclosure

Order No	Type
50.01 02 03	SL 2000 adapter plate Profile 1
50.01 02 04	SL 2000 adapter plate Profile 2
50.01 02 05	SL 2000 adapter plate Profile 3
50.01 02 06	SL 3000 adapter plate Profile 1
50.01 02 07	SL 3000 adapter plate Profile 2 - 4
50.01 02 08	SL 3000 adapter plate console version
50.01 02 09	Universal adapter plate (see drawing)
50.01 02 10	Beckhoff CP 7032 adapter plate
50.01 02 11	ComTronic adapter plate
50.01 02 12	SL 3000 adapter plate Profile 4 (direct mounting)
50.01 02 13	Flat panel adapter
50.01 02 14	Adapter plate SL 4000 Profile 1 - 3
50.01 02 15	Adapter plate SL 4000 desktop version





Single interfaces (IP 65) incl. connection cable and plug
or mounting on profile, front plate or rear wall

Order No.	Version
20.90 10 01	USB-Interface incl. Anschlusskabel und 1 Stecker
20.90 10 02	RJ45-Interface incl. Anschlusskabel und 1 Stecker
20.90 11 03	USB-Interface without cable
20.90 11 04	RJ45-Interface without cable



Single interface flaps, metal
For data interfaces and electrical socket.
Profile 1/2/3: Rear wall or frontplate
Profile 2/3/4: Sidewise onto profile (Side C/D)

Order No.	Version
20.90 10 10	Version 1 Frame: Metal, dim nickel plated Lid: Plastic, transparent
20.90 10 11	Version 2 Frame: Metal, dim nickel plated Lid: Metal, dim nickel plated
20.90 10 12	Version 3 Frame: Metal, black coated Lid: Metal, black coated



Single interface flaps, plastic
For data interfaces and electrical socket.
Profile 1/2/3: Rear wall or frontplate
Profile 2/3/4: Sidewise onto profile (Side C/D)

Order No.	Version
20.90 10 14	Version 7 Frame: Plastic, black Lid: Plastic transparent Lock: 3 mm Double ward
20.90 10 15	Version 4 Frame: Plastic, black Lid: Plastic transparent Lock: Knob
20.90 10 16	Version 8 Frame: Plastic, black Lid: Plastic, metallic silver Lock: 3 mm Double ward
20.90 10 17	Version 5 Frame: Plastic, black Lid: Plastic, metallic silver Lock: Knob
20.90 10 18	Version 9 Frame: Plastic, black Lid: Plastic light grey Lock: 3 mm Double ward
20.90 10 19	Version 6 Frame: Plastic, black Lid: Plastic, light grey Lock: Knob

Commander system accessories



Double interface flaps, metal

For data interfaces and electrical socket.
 Profil 1/2/3: Rear wall or front panel
 Profil 2/3/4: sidewise onto profile (Side C/D)

Order No.

20.90 11 10 Version 11
 Frame: Metal, dim nickel plated
 Lid: Plastic transparent

20.90 11 11 Version 12
 Frame: Metal, dim nickel plated
 Lid: Metal, dim nickel plated

20.90 11 12 Version 13
 Frame: Metal, black
 Lid: Metal, black



Double interface flaps, plastic

For data interfaces and electrical socket.
 Profil 1/2/3: Rear wall oder front panel
 Profil 2/3/4: Sidewise onto profile (Side C/D)

Order No.

20.90 11 14 Version 17
 Frame: Plastic, black
 Lid: Plastic transparent
 Lock: 3 mm Double ward

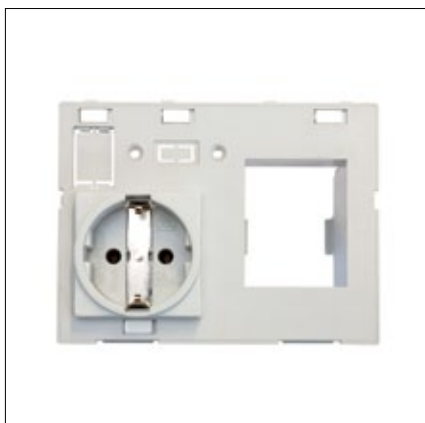
20.90 11 15 Version 14
 Frame: Plastic, black
 Lid: Plastic transparent
 Lock: Knob

20.90 11 16 Version 18
 Frame: Plastic, black
 Lid: Plastic metallic silver
 Lock: 3 mm Double ward

20.90 11 17 Version 15
 Frame: Plastic, black
 Lid: Plastic metallic silver
 Lock: Knob

20.90 11 18 Version 19
 Frame: Plastic, black
 Lid: Plastic light grey
 Lock: 3 mm Double ward

20.90 11 19 Version 16
 Frame: Plastic, black
 Lid: Plastic light grey
 Lock: Knob



Einbaukomponenten für Schnittstellenklappen

Order No. Schuko/FI

20.90 11 05 Germany (VDE) with additional cut-out for earth leakage circuit breaker
 (can only be used onto double flaps)

Flap inserts

Data Interfaces



SUB-D9; SUB-D9
2 × SUB-D9 (socket/pin)

Order No. **20.90 10 30**



SUB-D9; SUB-D9
2 × SUB-D9 (solder connection/socket)

Order No. **20.90 10 31**



SUB-D9; SUB-D9
1 × SUB-D9 (solder connection/socket);
1 × SUB-D9 (solder connection/pin)

Order No. **20.90 10 32**



SUB-D9
1 × SUB-D9 (solder connection/socket);
1 × blank cover for SUB-D9

Order No. **20.90 10 33**



SUB-D9
1 × SUB-D9 (socket/socket)

Order No. **20.90 10 34**



SUB-D9; SUB-D9
1 × SUB-D9 (socket/socket);
1 × SUB-D9 (pin/pin)

Order No. **20.90 10 35**



SUB-D9; SUB-D9
2 × SUB-D9 (socket/socket)

Order No. **20.90 10 36**



SUB-D9; SUB-D15
1 × SUB-D9 (socket/pin);
1 × SUB-D15 (socket/pin)

Order No. **20.90 10 37**



SUB-D9; SUB-D15
1 × SUB-D9 (solder connection/socket);
1 × SUB-D15 (solder connection/socket)

Order No. **20.90 10 38**

Commander system accessories

Data Interfaces



SUB-D9; SUB-D15
1 × SUB-D9 (socket/socket);
1 × SUB-D15 (socket/socket)

Order No. **20.90 10 39**



SUB-D9; SUB-D25
1 × SUB-D9 (socket/pin);
1 × SUB-D25 (socket/pin)

Order No. **20.90 10 40**



SUB-D9; SUB-D25
1 × SUB-D9 (solder connection/socket);
1 × SUB-D25 (solder connection/socket)

Order No. **20.90 10 41**



SUB-D9; SUB-D25
1 × SUB-D9 (solder connection/pin);
1 × SUB-D25 (solder connection/socket)

Order No. **20.90 10 42**



SUB-D15; SUB-D15
2 × SUB-D15 (socket/pin)

Order No. **20.90 10 43**



SUB-D15; SUB-D15
2 × SUB-D15 (solder connection/socket)

Order No. **20.90 10 44**



SUB-D15
1 × SUB-D15 (solder connection/socket);
1 × blank cover for SUB-D9

Order No. **20.90 10 45**



SUB-D15; SUB-D25
1 × SUB-D15 (socket/pin);
1 × SUB-D25 (socket/pin)

Order No. **20.90 10 46**



SUB-D15; SUB-D25
1 × SUB-D15 (solder connection/socket);
1 × SUB-D25 (solder connection/socket)

Order No. **20.90 10 47**

Data Interfaces



SUB-D25; SUB-D25
2 x SUB-D25 (socket/pin)

Order No. **20.90 10 48**



SUB-D25; SUB-D25
2 x SUB-D25 (solder connection/socket)

Order No. **20.90 10 49**



SUB-D25
1 x SUB-D25 (solder connection/socket);
1 x blank cover for SUB-D9

Order No. **20.90 10 50**



SUB-D25
1 x SUB-D25 (socket/pin);
1 x blank cover for SUB-D9

Order No. **20.90 10 51**



PS2; PS2; SUB-D15 HD
2 x PS2 (6-pole. solder connection);
1 x SUB-D15 HD (socket/pin)VGA

Order No. **20.90 10 52**



PS2; SUB-D15 HD
1 x PS2 (6-pole. solder connection);
1 x SUB-D15 HD (solder connection/socket)(VGA)

Order No. **20.90 10 53**



SUB-D15 HD; RJ45; USB; USB (type A)
1 x SUB-D15 HD (socket/pin); 1 x RJ45, 8-pole.
Metal, CAT5e (socket/socket); 2 x USB (socket/
socket) type A

Order No. **20.90 10 54**



RJ45; RJ12; USB; USB (type A)
1 x RJ45, 8-pole. Metal, CAT5e (socket/socket);
1 x RJ12, 6-pole. Plastic; 2 x USB (socket/socket)
type A

Order No. **20.90 10 55**



RJ45; RJ45; USB; USB (type A)
2 x RJ45, 8-pole. Metal, CAT5e (socket/socket);
2 x USB (socket/socket/0.7 m cable) type A

Order No. **20.90 10 56**

Commander system accessories

Data Interfaces



RJ45; USB (type A); DVI

1 × RJ45, 8-pole. metal, CAT5e (socket/socket);
1 × USB (socket/socket) Type A;
1 × DVI (socket/socket)

Order No. **20.90 10 57**



RJ45; RJ45; USB (type A)

2 × RJ45, 8-pole. metal, CAT5e (socket/socket);
1 × USB (socket/socket) Type A

Order No. **20.90 10 58**



RJ45; USB; USB (type A)

1 × RJ45, 8-pole. metal, CAT5e (socket/socket);
2 × USB (socket/socket) Type A

Order No. **20.90 10 59**



RJ45; RJ45; USB; USB (type A)

2 × RJ45, 8-pole. metal, CAT5e (socket/socket);
2 × USB (socket/socket) Type A

Order No. **20.90 10 60**



RJ45; RJ12; SUB-D25

1 × RJ45, 8-pole. metal, CAT5e (socket/socket);
1 × RJ12, 6-pole. plastic; 1 × SUB-D25 (socket/
pin)

Order No. **20.90 10 61**



RJ45; SUB-D9; SUB-D9

1 × RJ45, 8-pole. metal, CAT5e (socket/socket);
1 × SUB-D9 (socket/socket); 1 × SUB-D9 (pin/pin)

Order No. **20.90 10 62**



RJ45; RJ12; SUB-D9

1 × RJ45, 8-pole. metal, CAT5e (socket/socket);
1 × RJ12, 6-pole. plastic;
1 × SUB-D9 (socket/socket)

Order No. **20.90 10 63**



RJ12; RJ12; SUB-D9

2 × RJ12, 6-pole. plastic;
1 × SUB-D9 (socket/socket)

Order No. **20.90 10 64**



RJ45; SUB-D9; SUB-D9

1 × RJ45, 8-pole. metal, CAT5e (socket/socket);
2 × SUB-D9 (socket/socket)

Order No. **20.90 10 65**

Data Interfaces



RJ45; USB; SUB-D9; SUB-D9
1 × RJ45, 8-pole. Metal, CAT5e (socket/socket);
1 × USB (socket/socket) Type A;
2 × SUB-D9 (socket/socket)

Order No. **20.90 10 66**



RJ45; USB; SUB-D9; SUB-D9
1 × RJ45, 8-pole. Metal, CAT5e (socket/socket);
1 × USB (socket/socket) Type A; 1 × SUB-D9
(socket/socket); 1 × SUB-D9 (pin/pin)

Order No. **20.90 10 67**



RJ45; SUB-D9; PS2; PS2 (UL)
1 × RJ45, 8-pole. Metal, CAT5e (socket/socket);
1 × SUB-D9 (pin/pin); 2 × PS2 (socket/socket)

Order No. **20.90 10 68**



RJ45; RJ45
2 × RJ45, 8-pole. Metal, CAT5e (socket/socket)

Order No. **20.90 10 69**



RJ45
1 × RJ45, 8-pole. Metal, CAT5e (socket/socket);
1 × blank cover for SUB-D9

Order No. **20.90 10 70**



RJ45; RJ45; RJ45; RJ45
4 × RJ45, 8-pole. Metal, CAT5e (socket/socket)

Order No. **20.90 10 71**



USB (type A); RJ45
1 × USB (socket/socket) Type A;
1 × RJ45, 8-pole. metal, CAT5e (socket/socket)

Order No. **20.90 10 72**



RJ45; SUB-D9
1 × RJ45, 8-pole. Metal, CAT5e (socket/socket);
1 × SUB-D9 (socket/socket)

Order No. **20.90 10 73**



**1 × RJ45, 8-pole. metal, CAT5e (socket/socket); 1 × USB (socket/socket) Type A;
1 × SUB-D9 (socket/pin)**

Order No. **20.90 10 74**

Commander system accessories

Data Interfaces



RJ45; USB (type A); SUB-D9

1 x RJ45, 8-pole. metal, CAT5e (socket/socket);
1 x USB (socket/socket) Type A;
1 x SUB-D9 (socket/socket)

Order No. **20.90 10 75**



RJ45; USB (type A); SUB-D9

1 x RJ45, 8-pole. Metal, CAT5e (socket/socket);
1 x USB (socket/socket) Type A;
1 x SUB-D9 (solder connection/socket)

Order No. **20.90 10 76**



PS2; PS2; RJ45

2 x PS2 (6-pole. solder connection);
1 x RJ45, 8-pole. metal, CAT5e (socket/socket)

Order No. **20.90 10 77**



RJ45; SUB-D9; PS2; PS2

1 x RJ45, 8-pole. Metal, CAT5e (socket/socket);
1 x SUB-D9 (pin/pin);
2 x PS2 (6-pole. solder connection)

Order No. **20.90 10 78**



RJ45; RJ45; SUB-D25

2 x RJ45, 8-pole. Metal, CAT5e (socket/socket);
1 x SUB-D25 (socket/pin)

Order No. **20.90 10 79**



RJ45; RJ45; SUB-D9

2 x RJ45, 8-pole. metal, CAT5e (socket/socket);
1 x SUB-D9 (socket/pin)

Order No. **20.90 10 80**



SUB-D25; SUB-D9; RJ45

1 x RJ45, 8-pole. metal, CAT5e (socket/socket);
1 x SUB-D9 (socket/pin);
1 x SUB-D25 (socket/pin)

Order No. **20.90 10 81**



BNC; SUB-D9; RJ45

1 x BNC (socket/socket); 1 x RJ45, 8-pole. metal,
CAT5e (socket/socket); 1 x SUB-D9 (socket/pin)

Order No. **20.90 10 82**



BNC; RJ45; SUB-D9

1 x BNC (socket/socket); 1 x RJ45, 8-pole. metal,
CAT5e (socket/socket);
1 x SUB-D9 (socket/socket)

Order No. **20.90 10 83**

Data Interfaces



USB (type A)
1 × USB (socket/socket) Type A

Order No. **20.90 10 85**



USB (type A); USB (type A)
2 × USB (socket/socket) Type A

Order No. **20.90 10 86**



USB; USB; USB; USB (type A)
4 × USB (socket/socket) Type A

Order No. **20.90 10 88**



RJ45; USB; USB (type A)
1 × RJ45, 8-pole. Metal, CAT5e (socket/socket);
2 × USB (socket/socket/0.7 m Kabel) Type A

Order No. **20.90 10 89**



USB (type A); SUB-D25
1 × USB (socket/socket/0.7 m Kabel) Type A;
1 × SUB-D25 (socket/pin)

Order No. **20.90 10 91**



USB (type A); SUB-D25
1 × USB (socket/socket) Type A; 1 × SUB-D25 (socket/pin)

Order No. **20.90 10 92**



USB (type A); SUB-D9
1 × USB (socket/socket) Type A; 1 × SUB-D9 (solder connection/socket)

Order No. **20.90 10 93**



SUB-D15 HD; RJ45; USB; USB (type A)
1 × SUB-D15 HD (socket/pin);
1 × RJ45, 8-pole. metal, CAT5e (socket/socket);
2 × USB (socket/socket) Baufl. A

Order No. **20.90 10 94**



USB (type A); RJ45
1 × USB (Buchse/Buchse/0.7 m Kabel) Type A;
1 × RJ45, 8-pole. metal, CAT5e (socket/socket)

Order No. **20.90 10 95**

Commander system accessories

Data Interfaces

**USB (type A); SUB-D9; RJ45**

1 × USB (socket/socket/0.7 m cable) Type A;
1 × SUB-D9 (socket/pin);
1 × RJ45, 8-pole. metal, CAT5e (socket/socket)

Order No. **20.90 10 96**

**USB (type A); SUB-D25; RJ45**

1 × USB (socket/socket) Type A;
1 × SUB-D25 (socket/pin);
1 × RJ45, 8-pole. metal, CAT5e (socket/socket)

Order No. **20.90 11 00**

**USB (type A); SUB-D25; RJ45**

1 × USB (socket/socket) Type A;
1 × SUB-D25 (socket/solder connection);
1 × RJ45, 8-pole. metal, CAT5e (socket/socket)

Order No. **20.90 11 01**

**USB (type A); SUB-D9; RJ12**

1 × USB (socket/socket) Type A; 1 × SUB-D9 (socket/socket); 1 × RJ12, 6-pole. plastic

Order No. **20.90 11 02**

Flap insert:

Plug insert



Germany (VDE)
grey, screw clamps, LED (yellow)

Order No. **20.90 10 24**



France (UTE),
screw clamps

Order No. **20.90 10 26**



Italy (CEI 23-16),
with electric shock protection, screw clamps

Order No. **20.90 10 28**



USA (NEMA 5-15),
screw clamps

Order No. **20.90 10 20**



UK (BS),
with electric shock protection, screw clamps

Order No. **20.90 10 25**



China (CCC),
with electric shock protection, screw clamps

Order No. **20.90 10 22**



Denmark,
spring clamps

Order No. **20.90 10 23**



Switzerland,
spring clamps

Order No. **20.90 10 29**



Australia,
screw clamps

Order No. **20.90 10 21**

Commander system accessories

Schutzkontaktschnittstelle



India (IS 1293),
with electric shock protection, screw clamps

Order No. **20.90 10 27**

