



- Universal control enclosure for automation technology
- Variable size in height, width and depth
- Hinged door profile at front and rear
- Front plate insertion from front or rear

Technical data

Material:

Profile: DIN EN 573 EN AW-ALMgSi

Cast corner: DIN EN 1706 EN AC-AISI 12 Cu 1 (Fe

Seal:

CR- and/or PU-foam

Painting:

Powder coating

Colour:

optional RAL 7035, light grey, or natural anodized

Special colour on request

Ingress protection:

IP 65 to EN 60529

Temperature range:

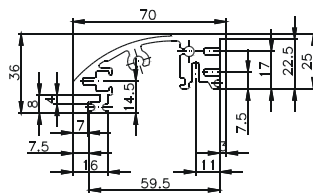
-30°C to +80°C

Included in delivery:

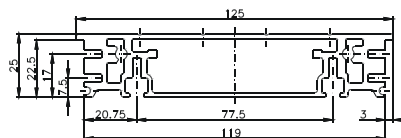
Enclosure body with rear wall, fixing elements, cover profile with corners

I. Profile for installation with front plate

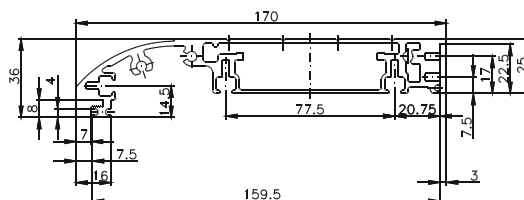
Profile 1 Hinged frame profile



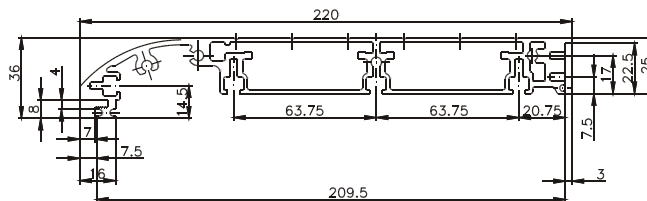
Profile 2 Intermediate frames



Profile 3 Body profile 170

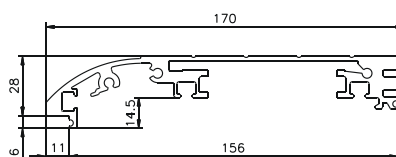


Profile 4 Body profile 220

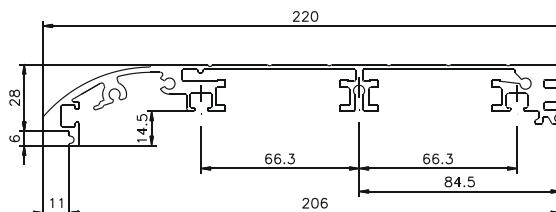


II. Profile for direct mounting of installation

Profile 3 direct mounting



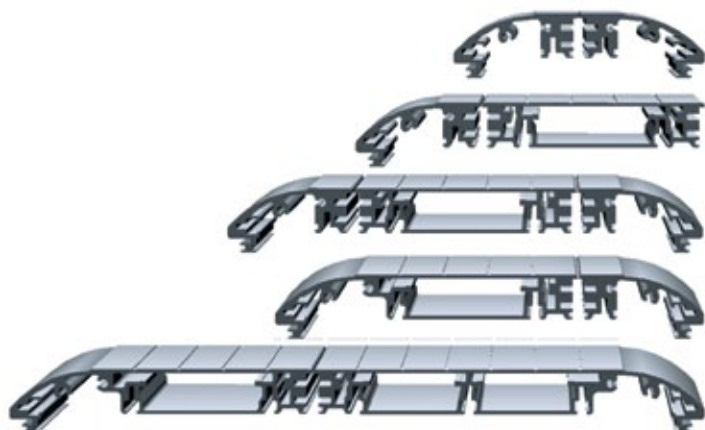
Profile 4 direct mounting



Profile info:

- All profiles can be combined with one another
- Profiles can be attached with fixed or hinged connections.
- If straight profile side (see example 2) the rear panel can also be designed as a door.
- The max. mounting depth in the case of operational enclosures is 675 mm (Profile 4 + 2 + 2 + 4)
- The max. mounting depth with console attached is 425 mm (Profile 4 + 4)
- The max. enclosure size is limited by the front plate to 1000 x 1000 mm

Example of profile combination options



Mounting depth 125 mm

Mounting depth 184 mm

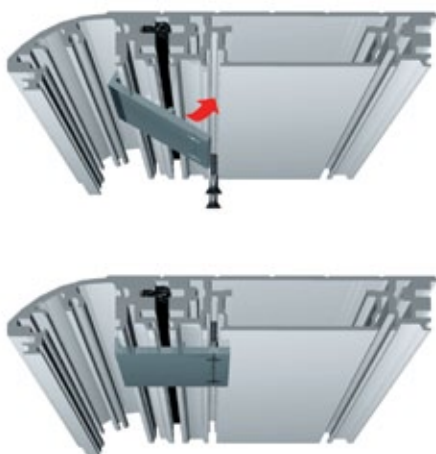
Mounting depth 250 mm

Mounting depth 225 mm

Mounting depth 375 mm

Profile connection options

Fixed

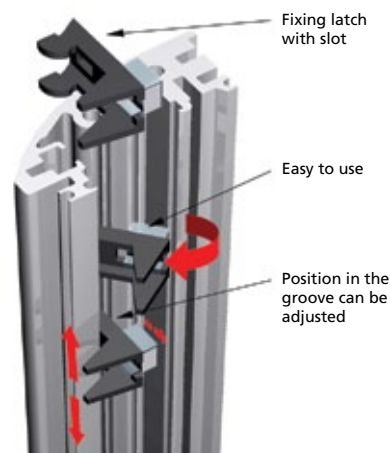


Hinged



Front plate fastening

- Zinc diecast latch with slot for insertion of M4 or M5 rack connecting nuts screwed version
- Turn the catch round to enable the front plate to be screwed in directly from the back



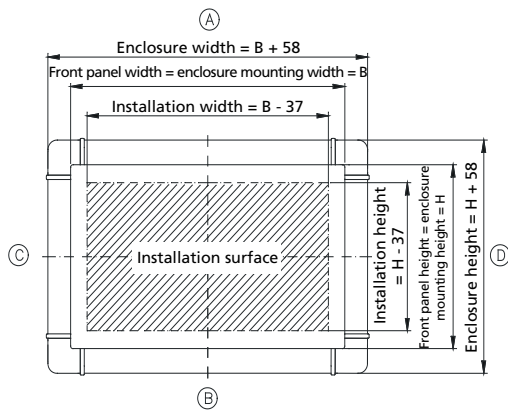
- Flush closure with profile
- With M4 or M5 rack connecting nut
- Concealed capping screw heads
- Latch reversed screwed into profile

Dimensions

Front plate

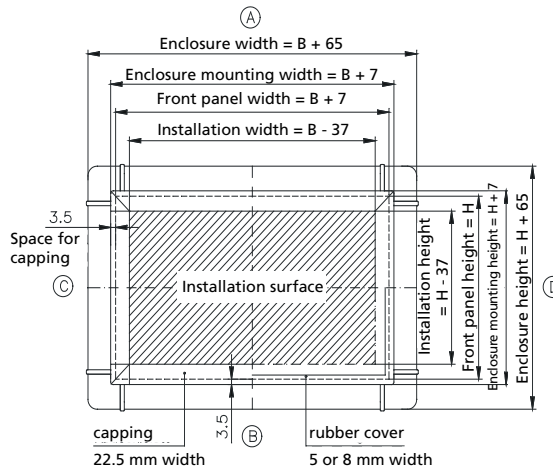
Version I

Front plate without cover profile or rubber cover



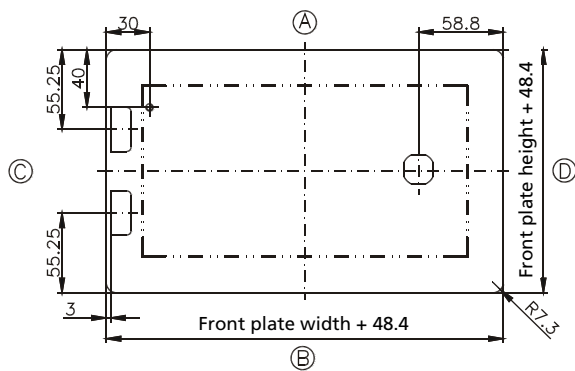
Version II

Front plate with cover profile or rubber cover surrounding

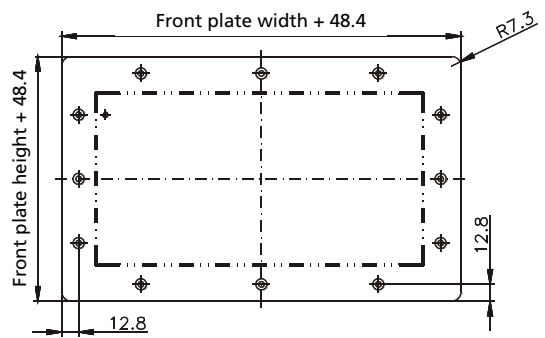


Rear wall

as door



screwed



Enclosure height (mm)	Hinge	Latch
≥ 402 to ≤ 600	3	2
> 600 to ≤ 800	4	3
> 800 to 1000	5	4

From a width of > 700 mm the door is reinforced to comply with enclosure rating.

Info:
The drill holes for the screwed rear wall is determined by the size of the front plate and are determined at the factory (spaced at between 100 and 150 mm).

Accessories



Handle set

The length of the handles is determined by the size of the front plate.

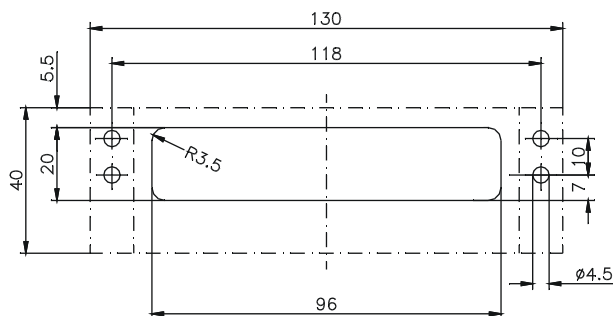
Width/height of front plate (mm)	Handle length (mm)
265-314	250
315-364	300
365-414	350
415-464	400
465-514	450
515-614	500
615-664	600
665-714	650
715-764	700
765-814	750
ab 815	800



Disc drive bay

For installation of standard disk drive from the side into the profile or the front plate. Enclosure rating IP 65 when flap is closed.

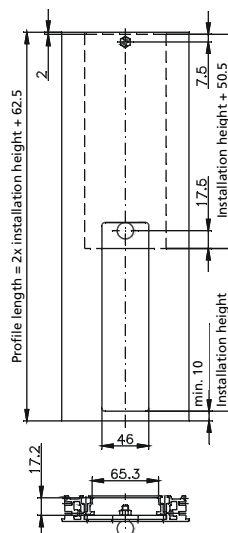
Insert space for disc drive bay



Insert bay

Available for Profiles 2, 3 and 4. The ingress protection is determined by the fitted equipment. It is possible to modify the interior enclosure panel walls individually. The size of the enclosure gives the maximum connector area.

In the case of profile combinations it is provided on the hinge side!

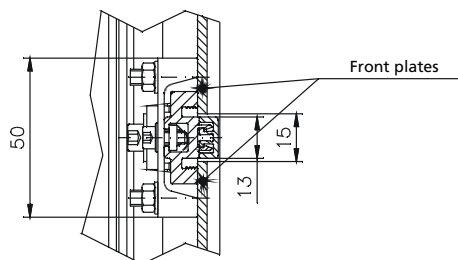


Accessories



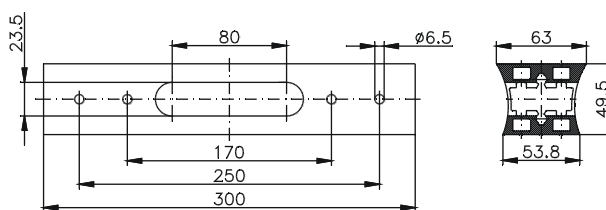
Linking bar

For installation of two or more front plates into one enclosure



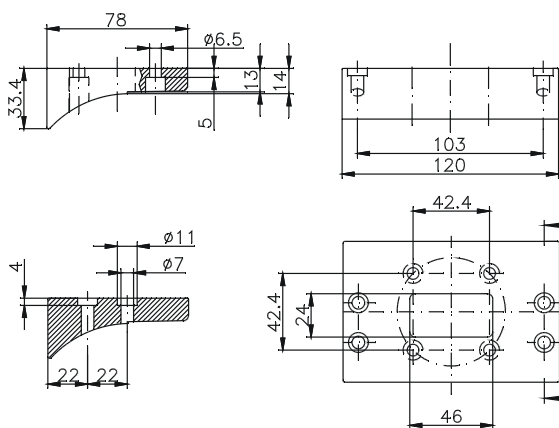
Console attachment set

30° or 50° inclination possible depending on assembly. Standard length 300 mm, larger or smaller lengths on request.

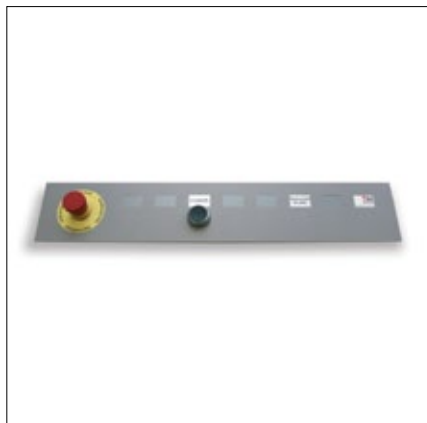


Coupling flange

20.60 10 07 Coupling flange GTK electronic / GT 48/2 / SL 3000 P1



Accessories



FCP - Foil Control Panel

Order No.	
20.60 10 50	Foil Control Panel 240/3
20.60 10 51	Foil Control Panel 335/6
20.60 10 52	Foil Control Panel 483/8

Other accessories

Locking plate, powdered GT 48/2 and GTK electronic	20.60 30 01
Locking plate, powdered GT 50/2 and GT 60/2	20.60 30 02
Locking plate, powdered GT 80/2	20.60 30 03
Locking plate, powdered GTK 80	20.60 30 04
Locking plate, powdered GTN II	20.60 30 05
Locking plate, anodized GT 48/2 and GTK electronic	20.60 30 11
Locking plate, anodized GT 50/2 and GT 60/2	20.60 30 12
Locking plate, anodized GT 80/2	20.60 30 13
Locking plate, anodized GTK 80	20.60 30 14
Locking plate, anodized for GTN II	20.60 30 15
Fastening set M4 (set = 12 pieces)	20.60 10 01
Fastening set M5 (set = 12 pieces)	20.60 10 02
Fastening set front panel (set = 12 pieces)	20.60 10 03
Document holder for handle mounting (page 77)	20.60 10 04
Document holder for direct mounting (page 77)	20.60 10 05
Mousepad rack (page 77)	20.60 10 06
Coupling flange GTK electronic / GT 48/2	20.60 10 07
Adapter plate P1/P2 on GT 80/2	20.60 10 08
Foil control panel 240/3	20.60 10 50
Foil control panel 335/6	20.60 10 51
Foil control panel 483/8	20.60 10 52
Mounting angle set	10.03 31 01
Installation rail set, rail length 80 mm	54.00 00 16
Installation rail set, rail length 160 mm	54.00 00 24
Installation rail set, rail length 240 mm	54.00 00 32
Keyboard drawer (page 74)	10.99 20 01
Mousepad rack (page 74)	10.99 20 02

Company _____
 Contact _____
 Address _____

Telephone _____
 Fax _____
 E-Mail _____

Dimensions Operating enclosure

Console versions, please also fill out the following page - „Console attachment enclosure“.

Mounting depth

T (mm) _____ of combination of profiles (please always specify from front to rear):

Profile no. _____ + Profile no. _____ + Profile no. _____ + Profile no. _____

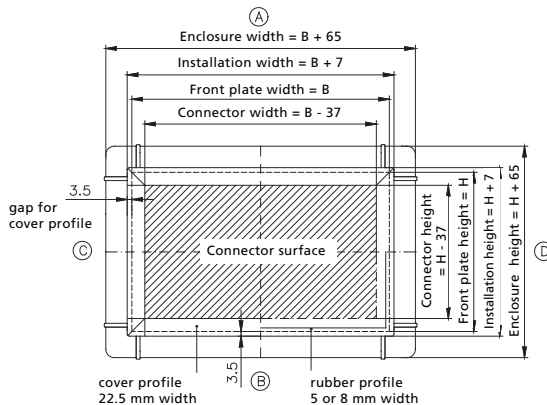
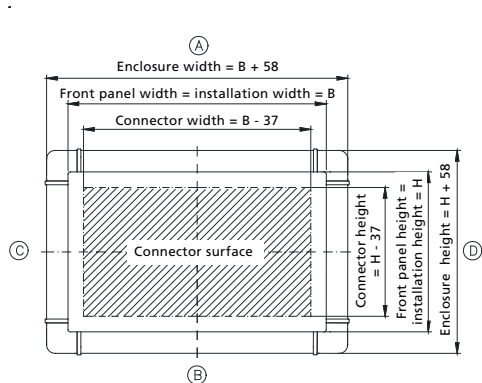
Connection: fixed hinged side _____ fixed hinged side _____ fixed hinged side _____

Dimensions

Please specify front plate dimensions W x H (mm) _____ x _____
 and/or manufacturer/type _____

Version I
 Front plate without cover profile or rubber profile

Version II
 Front plate surrounding with cover profile or rubber profile



Front plate

- without front plate (direct mounting) with M4 fixing set or with M5 fixing set
- Front plate with stud bolts (flush without cover profile, dimensions, see drawing version I)
- Front plate with stud bolts (with cover profile, dimensions, see drawing version II)
- Front plate with drill holes
- Cover profile 22.5 mm (plastic black, dimensions s. version II)
- Cover profile for front plate, 5 mm rubber (Version II)
- Cover profile for front plate, 8 mm rubber (Version II)
- other front plate _____
- Finish in accordance with drawing no.: _____ (please attach)
- and/or specify manufacturer/controller type: _____
- Separation fin quantity Position in accordance with drawing-no.: _____

Drawing no.: D-SL 3000 - _____ Bl. 1

Accessories SL 3000 for enquiry/ order

Company _____

Rear wall with straight closure screwed hinged, hinges side _____
 with rounded closure screwed, flush with stud bolts, flush
 Modified according to drawing-no. _____ (please enclose if available)

Lock types Square 8 mm (Standard)
 Square 7 mm Triangular 7 mm Triangular 8 mm
 Double ward 3 mm Other _____

Colour Standard: Profile RAL 7035, corner pieces RAL 9006, corner caps RAL 7035 powder-coated or
 Natural anodized profile, corner pieces RAL 9006, corner caps RAL 9007 powder-coated
 Special colours (please specify RAL colour for each):
 Profile RAL _____ Corner pieces RAL _____ Corner caps RAL _____

Suspension system GTK electronic, side _____ GTS, side _____ GT 48/2, side _____
 GT 50/2, side _____ GT 60/2, side _____ GT 80/2, side _____
 GTN II, side _____ GTK 80, side _____ (not Profile 1)
 Moterm Moterm with console
 Connection to console connector
 Connection to profile
 Other _____ Drawing-no.: _____ side _____
 Total weight of fittings approx. _____ kg
for profile combination: Coupling hole on profile no. _____ or optional
 specify weight distribution _____

Handle set Quantity _____ side _____ Special colour RAL _____

Other accessories Disc drive-/interface bay with flap (as for SL 2000), side _____
 Insert bay for disc drive (from 415 mm front panel height), side _____
 Insert slot for: _____ side _____
 Finish in accordance with drawing-no.: _____
 For Siemens disc drive

Other modifications/ special versions

Further modifications _____

 in accordance with drawing-no.: _____

Drawing no.: D-SL 3000 - _____ Bl. 2

stated by Rose profile length: width _____ mm height _____ mm

Dimensions**Console attachment enclosure**

Company _____

Mounting depth

T (mm) _____ of combination of profiles (please always specify from front to rear):

Profile no. _____ + Profile no. _____

Connection: fixed hinged, page _____**Dimensions**Front plate total dimensions (dimension sheet s. operational enclosure) W x H (mm) _____ x _____ Version Iand/or manufacturer/type of controller _____ Version II**Front plate** without front plate (direct mounting) with M4 fixing set or with M5 fixing set Front plate with stud bolts (flush without cover profile, dimensions, see drawing version I) Front plate with stud bolts (with cover profile, dimensions, see drawing version II) Front plate with drill holes Cover profile 22.5 mm (plastic black, dimensions s. version II) Cover profile for front panel, 5 mm rubber (Version II) Cover profile for front panel, 8 mm rubber (Version II) other front plate _____ Finish in accordance with drawing no.: _____ (please attach)

and/or specify manufacturer/controller type: _____

 Separation fin quantity Position in accordance with drawing-no.: _____**Rear wall**with straight closure screwed hinged, hinges side _____with rounded closure screwed, flush with stud bolts, flush Modified according to drawing-no. _____ (please enclose if available)**Lock types** square 8 mm (standard) square 7 mm double ward 3 mm triangular 7 mm triangular 8 mm Other _____**Colour**Standard: Profile RAL 7035, corner pieces RAL 9006, corner caps RAL 7035 powder-coated or Natural anodized profile, corner pieces RAL 9006, corner caps RAL 9007 powder-coated Custom colours (please specify RAL colour for each):

Profile RAL _____ Corner pieces RAL _____ Corner caps RAL _____

Console attachment set Standard 30° Standard 50°**Handle set** Quantity _____ side _____ Special colour RAL _____**Other accessories** Disc drive-/interface bay with flap (as for SL 2000), page _____ Insert bay for disc drive (from 415 mm front panel height), page _____ Insert slot for: _____ side _____ Finish in accordance with drawing-no.: _____ For Siemens disc drive**Other modifications/ special versions**

Further modifications _____ in accordance with drawing-no.: _____

Drawing no.:
stated by Rose

D-SL 3000 - _____ Bl. 3

profile length: width _____ mm height _____ mm

Applications

