



- Enclosure system for control and display fittings
- Variable size available in width and depth
- All-round adaptation capabilities for accessories
- Front panel insertion from front and rear

## Technical data

### Material:

Profile: DIN EN 573 EN AW-AMgSi

Front plate, rear wall: DIN EN 573 EN AW-AMg3

Corner pieces: DIN EN 1706 EN AC-AISI 12 (Fe)

### Seal:

CR round seal

### Painting:

Powder coating

### Colour:

Enclosure: RAL 7035, light grey

Handle tube: RAL 3003, ruby red

### Ingress protection:

IP 65 to EN 60529

### Temperature range:

-30°C to +80°C

### Included in delivery:

Enclosure body with rear panel or door, front panel fixing set, cover profile and T-groove cover.

# SL 2000

## Product range

Front plate dimensions H x W (mm)	Profile 1 mounting depth 80,5 mm	Weight (g)	Profile 2 mounting depth 110 mm	Weight (g)	Profile 3 mounting depth 185 mm	Weight (g)	Front plate with drill hole (insert from front)	Weight (g)	Front plate without drill hole (insert from rear)	Weight (g)
Rear wall screwed										
267 x 483	<b>19.50 65 01</b>	4700	<b>19.50 95 01</b>	5500	<b>19.50 19 01</b>	6700	<b>19.60 00 01</b>	1050	<b>19.60 00 11</b>	1030
312 x 483	<b>19.51 65 01</b>	5100	<b>19.51 95 01</b>	5900	<b>19.51 19 01</b>	7100	<b>19.60 01 01</b>	1200	<b>19.60 01 11</b>	1220
356 x 483	<b>19.52 65 01</b>	5400	<b>19.52 95 01</b>	6300	<b>19.52 19 01</b>	7500	<b>19.60 02 01</b>	1400	<b>19.60 02 11</b>	1400
155 x 483	<b>19.53 65 01</b>	4100	<b>19.53 95 01</b>	4600	-	-	<b>19.60 04 01</b>	600	<b>19.60 04 11</b>	600
Special sizes*	<b>19.59 65 01</b>		<b>19.59 95 01</b>		<b>19.59 19 01</b>		<b>19.60 03 01</b>		<b>19.60 03 11</b>	
Door at rear										
267 x 483	<b>19.50 65 00</b>	4900	<b>19.50 95 00</b>	5600	<b>19.50 19 00</b>	6600	<b>19.60 00 01</b>	1050	<b>19.60 00 11</b>	1030
312 x 483	<b>19.51 65 00</b>	5200	<b>19.51 95 00</b>	6000	<b>19.51 19 00</b>	7200	<b>19.60 01 01</b>	1200	<b>19.60 01 11</b>	1220
356 x 483	<b>19.52 65 00</b>	5500	<b>19.52 95 00</b>	6400	<b>19.52 19 00</b>	7600	<b>19.60 02 01</b>	1400	<b>19.60 02 11</b>	1400
155 x 483	<b>19.53 65 00</b>	4200	<b>19.53 95 00</b>	4700	-	-	<b>19.60 04 01</b>	600	<b>19.60 04 11</b>	600
Special size*	<b>19.59 65 00</b>		<b>19.59 95 00</b>		<b>19.59 19 00</b>		<b>19.60 03 01</b>		<b>19.60 03 11</b>	

\* Please specify front panel dimensions

## Accessories

	Order No.
Console attachment set, 15° fixed inclination, for console front panel height 100 - 270 mm (2000 g)	<b>19.59 00 11</b>
Console attachment set, 30° fixed inclination, for console front panel height 100 - 270 mm (2000 g)	<b>19.59 00 12</b>
Console attachment set, adjustable (2000 g)	<b>19.59 00 13</b>
Console attachment set, 15° fixed inclination , special length	<b>19.59 00 98</b>
Console attachment set, 30° fixed inclination , special length	<b>19.59 00 99</b>
Keyboard holder (3300 g) (page 75)	<b>19.60 10 04</b>
Linking bar, standard length 483 mm (500 g)	<b>19.59 00 20</b>
Linking bar, special length	<b>19.59 00 21</b>
Hinge set (2 hinges incl. screws; 250 g) (page 78)	<b>19.60 10 08</b>
Disc drive bay (170 g)	<b>19.60 10 05</b>
Panel mounting set (6 elements incl. screws) for profiles 1+2 (300 g)	<b>19.60 10 00</b>
Panel mounting set (6 elements incl. screws) for profile 3 (300 g)	<b>19.60 10 03</b>
Fixing set 1 (12 spring nut, brackets, screws)	<b>19.60 10 01</b>
Fixing set 2 (30 spring nut, brackets, screws)	<b>19.60 10 02</b>
Rubber cover (5 mm wide)	<b>19.60 10 06</b>
Rubber cover (8 mm wide)	<b>19.60 10 11</b>
Quick fastener set (12 pcs)	<b>19.60 10 07</b>
Spring nut set M5 (8 pcs)	<b>10.03 60 01</b>
Handle set (2 brackets, 1 tube), length 256 mm (600 g)	<b>19.60 20 01</b>
Handle set (2 brackets, 1 tube), length 301 mm (700 g)	<b>19.60 20 04</b>
Handle set (2 brackets, 1 tube), length 345 mm (700 g)	<b>19.60 20 05</b>
Handle set (2 brackets, 1 tube), length 472 mm (800 g)	<b>19.60 20 06</b>
Handle corner set (3 brackets, 1 tube) length 556 / 395 mm (900 g)	<b>19.60 20 02</b>
Handle set, special length	<b>19.60 20 99</b>
Coupling flange profile 1 for GT 48/2 and GTK electronic (200 g)	<b>19.60 20 03</b>
Coupling flange profile 2 for GT 48/2 and GTK electronic (300 g)	<b>19.60 20 11</b>
Coupling flange profile 3 for GT 48/2 and GTK electronic (500 g)	<b>19.60 20 12</b>
Coupling flange profile 2 for GT 50/2, GT 60/2 and GTN II (600 g)	<b>19.60 20 07</b>
Coupling flange profile 3 for GT 50/2, GT 60/2 and GTN II (700 g)	<b>19.60 20 08</b>
Coupling flange profile 3 for GT 80/2 and GTK 80 (1200 g)	<b>19.60 20 13</b>
Coupling flange profile 2 for GT 80/2 (900 g)	<b>19.60 20 14</b>
Keyboard drawer (page 74 )	<b>10.99 20 01</b>
Document holder for handle mounting (page 77)	<b>20.60 10 04</b>
Document holder for direct mounting (page 77)	<b>20.60 10 05</b>
Mousepad rack (page 77)	<b>20.60 10 06</b>

Caution: Connection to suspension system only using flange coupling or angle flange coupling.



Accessories

Front plate fastening



Front panel installation screwed from front



Front panel installation from rear



Front panel installation with stud bolts



**Fixing set**

Plastic parts for fitting front panel consisting of spring nuts, brackets and bolts

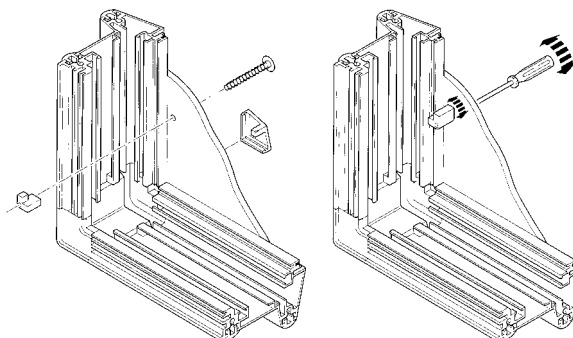
Order No.	Version
<b>19.60 10 01</b>	12 spring nuts, brackets, screws
<b>19.60 10 02</b>	30 spring nuts, brackets, screws



**Quick fastener set**

12 plastic parts for quick fastening screwed front panels from front

Order No. **19.60 10 07**

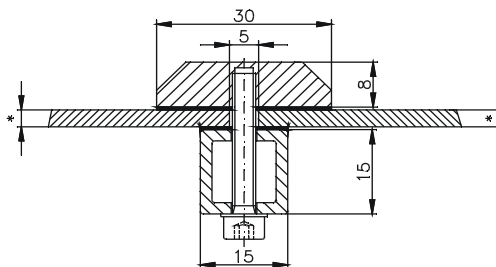


Accessories



**Linking bar**  
for installation of two or more front panels into one enclosure

Order No.	Version
<b>19.59 00 20</b>	Standard length 483 mm (500 g)
<b>19.59 00 21</b>	Special length



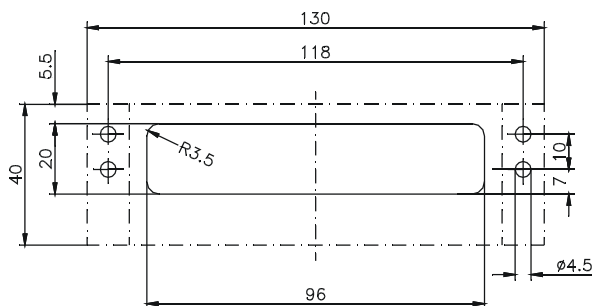
\* Front panels must be of equal thickness for use with separating fin.



**Disc drive bay**  
for installation of standard disk drives from the side into the profile or the front panel. Enclosure rating IP 65 when flap closed.

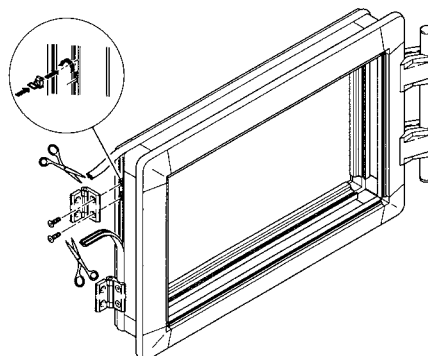
Order No. **19.60 10 05**

Insert space for disc drive bay



**Quick fastener set**  
12 plastic parts for quick fastening screwed front panels from front

Order No. **19.60 10 07**



## Accessories



### Handle set

Order No.	Version
<b>19.60 20 01</b>	2 brackets, 1 tube, length 256 mm (600 g)
<b>19.60 20 04</b>	2 brackets, 1 tube, length 301 mm (700 g)
<b>19.60 20 05</b>	2 brackets, 1 tube, length 345 mm (700 g)
<b>19.60 20 06</b>	2 brackets, 1 tube, length 472 mm (800 g)
<b>19.60 20 02</b>	Handle corner set: 3 brackets, 1 tube, length 556/395 mm (900 g)
<b>19.60 20 99</b>	Handle set, special length



### Coupling flange

for connection of the SL 2000 to suspension systems

Order No.	Version
<b>19.60 20 03</b>	Profile 1 for GT 48/2 and GTK electronic GTK electronic only 49.45 73 00; 49.45 75 00)
<b>19.60 20 11</b>	Profile 2 for GT 48/2 and GTK electronic
<b>19.60 20 12</b>	Profile 3 for GT 48/2 and GTK electronic
<b>19.60 20 07</b>	Profile 2 for GT 50/2, GT 60/2 and GTN II
<b>19.60 20 08</b>	Profile 3 for GT 50/2, GT 60/2 and GTN II
<b>19.60 20 13</b>	Profile 3 for GT 80/2 and GTK 80
<b>19.60 20 14</b>	Profile 2 for GT 80/2
<b>19.60 20 15</b>	Profile 1 for GTS
<b>19.60 20 16</b>	Profile 2 for GTS

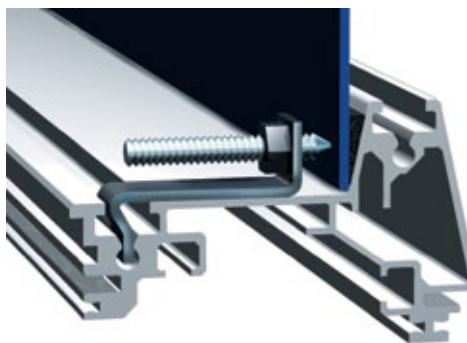
Caution: Connection to suspension system only using flange coupling or elbow flange coupling.

## Accessories

**Control panel installation set**

For direct assembly of the SL 2000 into machine panel or switchgear cabinet

Order No.	Version
<b>19.60 10 00</b>	6 elements incl. screws for profiles 1 + 2
<b>19.60 10 03</b>	6 elements incl. screws for profile 3

**Control panel installation set**

For direct assembly of the SL 2000 into machine panel or switchgear cabinet

Order No.	Inclination	for console front panel height operating enclosure	for console front panel height keyboard enclosure
<b>19.59 00 11</b>	15° fest	250 - 370 mm	100 - 270 mm (2000 g)
<b>19.59 00 12</b>	30° fest	250 - 370 mm	100 - 270 mm (2000 g)
<b>19.59 00 13</b>	adjustable		(2000 g)
<b>19.59 00 98</b>	15° fest	special length*	special length*
<b>19.59 00 99</b>	30° fest	special length*	special length*

\* Please specify enclosure length when ordering

The operating and keyboard enclosures must be the same width

Company \_\_\_\_\_ Telephone \_\_\_\_\_  
 Contact \_\_\_\_\_ Fax \_\_\_\_\_  
 Address \_\_\_\_\_ E-Mail \_\_\_\_\_

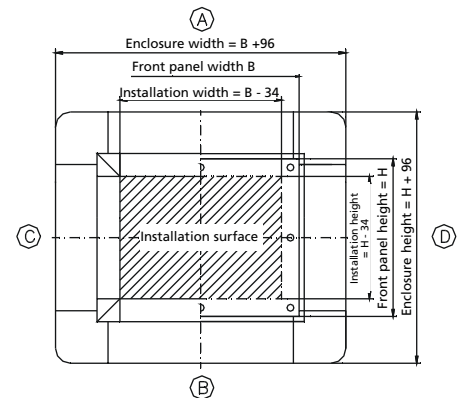
**Operating enclosure**

Version  Door  Rear wall screwed

Dimensions  Profile 1  Profile 2  Profile 3  
 Recessed rear panel for mm mounting depth

Please specify front panel dimensions and/or manufacturer/controller type:  
 W x H (mm) \_\_\_\_\_ x \_\_\_\_\_  
 and/or manufacturer/type \_\_\_\_\_  
 W x H (mm) \_\_\_\_\_ x \_\_\_\_\_  
 and/or manufacturer/type \_\_\_\_\_  
 W x H (mm) \_\_\_\_\_ x \_\_\_\_\_  
 and/or manufacturer/type \_\_\_\_\_

Front plate  3 mm, with drill holes  3 mm, without drill holes  other \_\_\_\_\_ mm  
 Fit in accordance with drawing (please attach)  
 and/or specify manufacturer/controller type: \_\_\_\_\_



**Keyboard enclosure**

Version  Door  Rear wall screwed

Dimensions  Profile 1  Profile 2

Please specify the number and dimensions of the front plate or the manufacturer and controller type.  
 W x H (mm) \_\_\_\_\_ x \_\_\_\_\_ manufacturer/type \_\_\_\_\_  
 W x H (mm) \_\_\_\_\_ x \_\_\_\_\_ manufacturer/type \_\_\_\_\_

Front plate  3 mm, with drill holes  3 mm, without drill holes  other \_\_\_\_\_ mm  
 Fit in accordance with drawing (please attach)  
 and/or specify manufacturer/controller type: \_\_\_\_\_

Console attachment set  Standard \_\_\_\_\_ (Order No.)  Special length \_\_\_\_\_ mm

Suspension system  GTK electronic / GT 48/2, on side \_\_\_\_\_  GT 50/2 / GT 60/2, on side \_\_\_\_\_  
 GT 80/2 / GTK 80, on side \_\_\_\_\_  GTN II on side \_\_\_\_\_  
 GTS  other \_\_\_\_\_ on side \_\_\_\_\_  
 Moterm Operational enclosure from 236 mm front plate width,  
 Console enclosure (fixed inclination) from 390 mm front plate width,  
 Console enclosure (fixed inclination) from 560 mm front plate width

Handle set  Standard \_\_\_\_\_ (Order No.) Mounting side \_\_\_\_\_  
 Special length \_\_\_\_\_ mm Mounting side \_\_\_\_\_

Colour  Standard (RAL 7035, handle red RAL 3003)  Special colour (RAL) \_\_\_\_\_

Other accessories  Disk mounting bay, mounting side \_\_\_\_\_  Hinge set, mounting side \_\_\_\_\_  
 Keyboard holder  Document holder  Separation fin, qty \_\_\_\_\_  
 Panel mounting set for profile 1  Panel mounting set for profile 2  Panel mounting set for profile 3  
 Fixing set 12-piece  Fixing set 30-piece  Quick fastener set  
 Spring nut set  Rubber cover narrow 8 mm  Rubber cover narrow 5 mm