

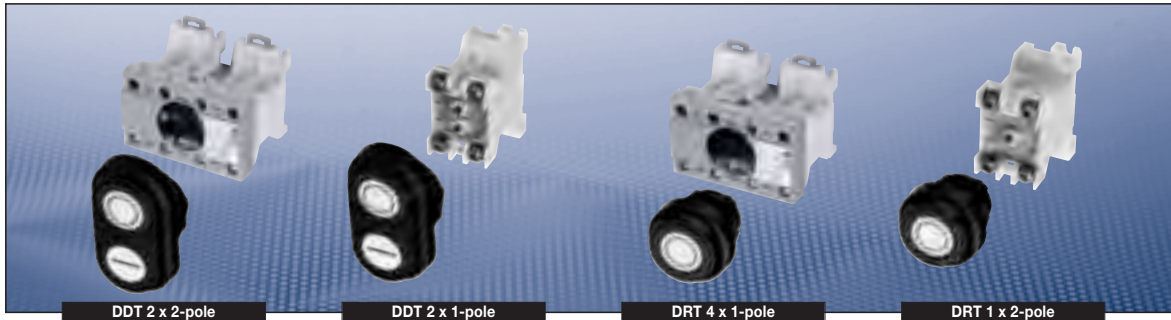
Technical data

Ex-Pushbutton DRT and Double pushbutton DDT	
Marking to 94/9/EC	Ⓔ II 2 G Ex de ia/ib IIC / Ⓔ I M 2 Ex de ia/ib I
EC-Type Examination Certificate	PTB 97 ATEX 1081 U
Application temperature	-20 °C to +40 °C -55 °C to +55 °C (option)
Rated voltage	500 V AC
Rated current	16 A
Rated current gold contacts	0.4 A
Rated making-/rated breaking capacity accd. EN 60947-5-1	AC-15: U _e 250 V / I _e 6 A U _e 500 V / I _e 4 A DC-13: U _e 24 V / I _e 6 A U _e 220 V / I _e 1 A
Degree of protection accd. EN 60529	IP66
Type of mounting	DIN rail mounting
Enclosure colour	grey
Gasket material	Neoprene (Standard), Fluoric Silicone or Viton on request

2-pole Version	
Connecting terminals	2 x 2.5 mm ²
Dimensions (L x W x H)	59 x 31 x 45 mm
Weight	0.15 kg

4-pole Version ¹⁾	
Connecting terminals	4 x 2.5 mm ²
Dimensions (L x W x H)	59 x 73 x 45 mm
Weight	0.35 kg

¹⁾ The 4-pole pushbutton needs two mounting areas.
 The actuator will be in the middle of the two mounting areas.



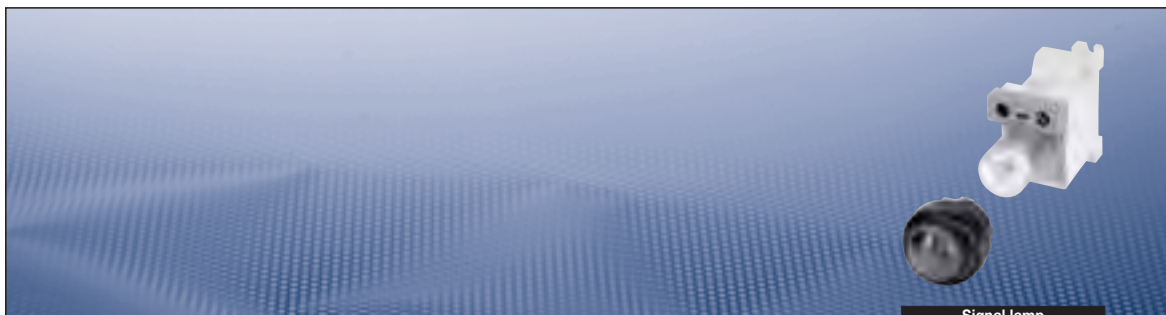
Ordering code for Component (Code 2)

Code	Component	Code
A	Pushbutton, for enclosure mounting	DRT
	Double pushbutton, for enclosure mounting	DDT

Code	Contact system	Contacts		Code silver contact points	Code gold contact points
		DRT	DDT		
C	2 NC			13	16
	2 NO			14	17
	1 NO + 1 NC			15	18
	4 NC			20	25
	1 NC + 3 NO			21	26
	2 NC + 2 NO			22	27
	3 NC + 1 NO			23	28
	4 NO			24	29

GHG 410 1902R 0051/ Pushbotton

GHG 417 1101R 0051/ Contact



Technical data

Ex-Signal lamp SIL	
Marking to 94/9/EC	Ex II 2 G Ex ed IIC / Ex II 2 G Ex d ia IIC
EC-Type Examination Certificate	PTB 98 ATEX 1040 U
Application temperature	-20 °C to +40 °C -55 °C to +55 °C (option)
Rated voltage (Ex ed IIC)	20 V to 250 V AC/DC
(Ex d ia IIC)	18 V to 30 V DC
(Ex ed IIC)	12 V to 30 V AC/DC
Rated current (20 V to 250 V)	approx. 4 - 15 mA
(10 V to 28 V Ex d ia IIC)	max. 25 mA
12 V to 30 V	max. 24 mA
Connecting terminals	2 x 2.5 mm ²
Degree of protection accd. EN 60529	IP66
Dimensions (L x W x H)	approx. 59 x 31 x 45 mm
Weight	0.15 kg
Type of mounting	DIN rail mounting
Enclosure colour	grey

Ordering code for Component (Code 2) Code A - C - D

Code	Component	Code
A	Signal lamp	SIL

Code	Colour of lens	Code
C	white	1
	yellow	2
	red	3
	blue	4
	green	5

Code	Voltage	Code
D	20 V - 250 V AC/DC	10
	18 V - 30 V DC (Ex-i ¹)	34
	12 V - 24 V AC/DC	11

¹) Supply by valve-driver components, e.gl., with data:

U₀ = 20 V - 18 V DC with R_i = 200 Ω - 500 Ω or

U₀ = 10 V - 18 V DC with R_i = 100 Ω - 200 Ω

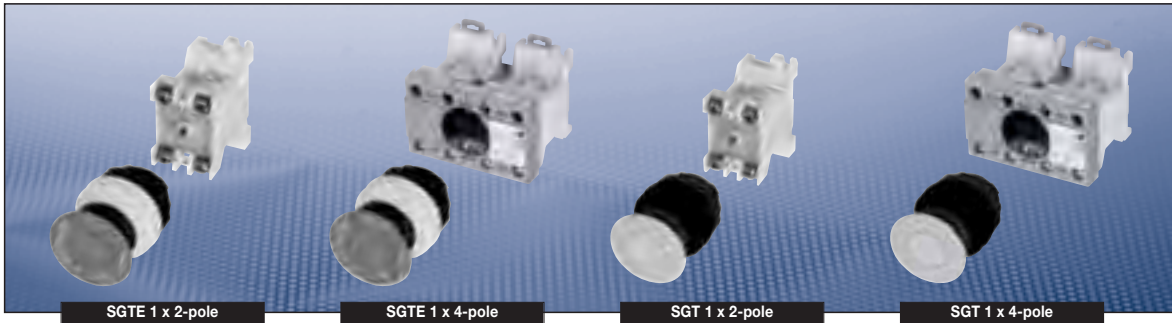
No effective C_i and L_i values.

Example for ordering code (Code 2)

Version	Ordering Code		
	A	C	D
Signal lamp SIL (examples)			
Universal voltage 20 V - 250 V AC/DC white	SIL	1	10
For intrinsically safe circuits 18 V up to 30 V DC blue	SIL	4	34
Low voltage 12 V up to 24 V AC/DC red	SIL	3	11



■ Built-in Components ■



Technical data

Ex-Mushroom Head Pushbutton (Emergency Stop „SGTE“ and Normal Version „SGT“)	
Marking to 94/9/EC	Ⓔ II 2 G Ex de ia/ib IIC / Ⓔ I M 2 Ex de ia/ib I
EC-Type Examination Certificate	PTB 97 ATEX 1081 U
Application temperature	-20 °C to +40 °C -55 °C to +55 °C (option)
Rated voltage	500 V AC
Rated current	16 A
Rated current gold contacts	0.4 A
Rated making-/rated breaking capacity accd. EN 60947-5-1	AC-15: U _e 250 V / I _e 6 A U _e 500 V / I _e 4 A DC-13: U _e 24 V / I _e 6 A U _e 220 V / I _e 1 A
Degree of protection accd. EN 60529	IP66
Type of mounting	DIN rail mounting
Enclosure colour	grey
Gasket material	Neoprene (Standard), Fluoric Silicone or Viton on request

2-pole Version

Connecting terminals	2 x 2.5 mm ²
Dimensions (L x W x H)	59 x 31 x 45 mm
Weight	0.15 kg

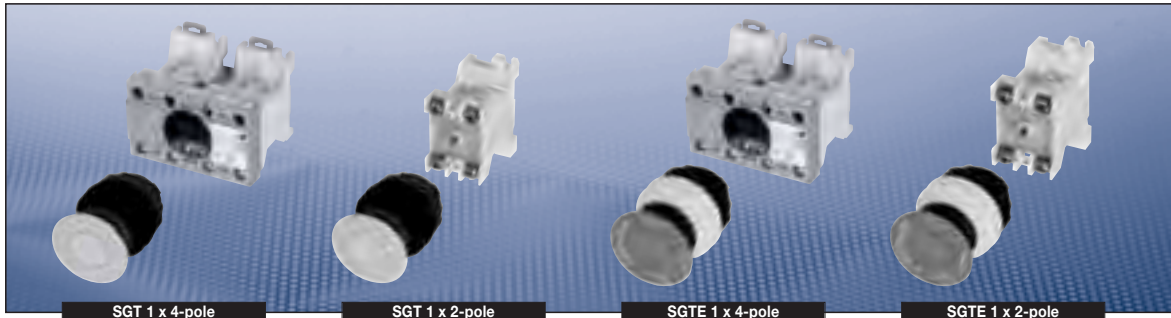
4-pole Version¹⁾

Connecting terminals	4 x 2.5 mm ²
Dimensions (L x W x H)	59 x 73 x 45 mm
Weight	0.35 kg

¹⁾ The 4-pole pushbutton needs two mounting areas.

The actuator will be in the middle of the two mounting areas.

The pushbutton „Emergency Stop“ will be equipped with a black plate in the centre of the pushbutton actuator.



Ordering code for Component (Code 2)

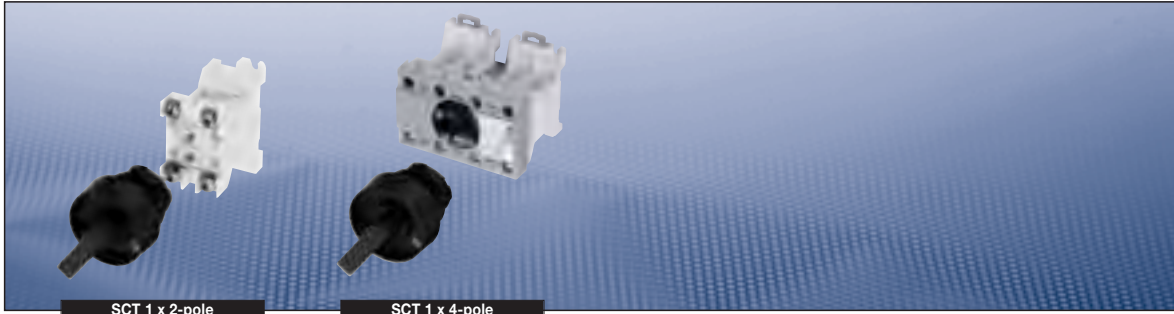
Code	Component	Code
A	Mushroom head pushbutton	SGT
	Mushroom head pushbutton (Emergency Stop)	SGTE

Code	Contact system	Contacts	Code	
			silver contact points	gold contact points
C	2 NC		13	16
	2 NO		14	17
	1 NO + 1 NC		15	18
	4 NC		20	25
	3 NO + 1 NC		21	26
	2 NO + 2 NC		22	27
	1 NO + 3 NC		23	28
	4 NO		24	29

GHG 410 1905R 0050/ EmergencySDSDX3-008G-E31

GHG 417 1101R 0051/ Contact

■ Built-in Components ■



SCT 1 x 2-pole

SCT 1 x 4-pole

Technical data

Ex-Mini-control switch SCT

Marking to 94/9/EC	Ex II 2 G Ex de ia/ib IIC / Ex I M 2 Ex de ia/ib I
EC-Type Examination Certificate	PTB 97 ATEX 1081 U
Application temperature	-20 °C to +40 °C -55 °C to +55 °C (option)
Rated voltage	500 V AC
Rated current	16 A
Rated current gold contacts	0.4 A
Rated making-/rated breaking capacity accd. EN 60947-5-1	AC-15: U_e 250 V / I_e 6 A U_e 500 V / I_e 4 A DC-13: U_e 24 V / I_e 6 A U_e 220 V / I_e 1 A
Degree of protection accd. EN 60529	IP66
Type of mounting	DIN rail mounting
Enclosure colour	grey

2-pole Version

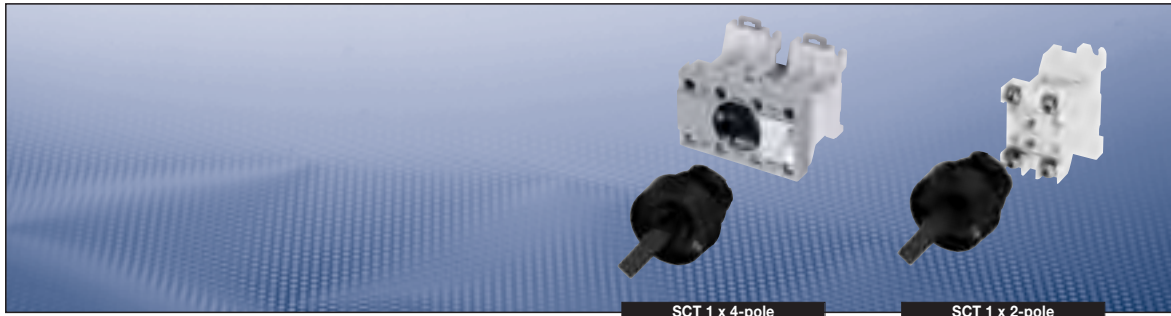
Connecting terminals	2 x 2.5 mm ²
Dimensions in mm (L x W x H)	59 x 31 x 45
Weight	0.15 kg

4-pole Version¹⁾

Connecting terminals	4 x 2.5 mm ²
Dimensions (L x W x H)	59 x 73 x 45 mm
Weight	0.35 kg

¹⁾ The 4-pole pushbutton needs two mounting areas.

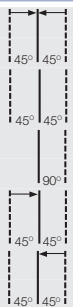
The actuator will be in the middle of the two mounting areas.



Ordering code for Component (Code 2) Code A - C - D - E

Code	Component	Code
A	Mini-control switch	SCT

Code	Switching mechanism	Version	Code
C	4	spring – engaging – spring	4
	5	engaging – engaging – engaging	5
	6	engaging – engaging	6
	7	spring – engaging – engaging	7
	8	engaging – engaging – spring	8



- 1
- 2
- 3
- 4
- 5
- 6
- 7
- 8

9

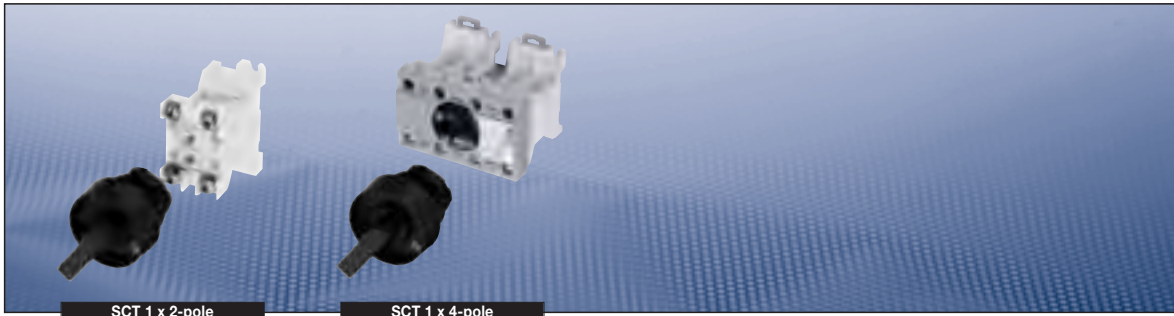
10

11

12



■ Built-in Components ■



Ordering code for Component (Code 2) Code A - C - D - E

Code	Contact system	Contacts	Code	
			silver contact points	gold contact points
D			01	11
			02	12
			03	13
			04	14
			05	15
			07	17
			22	32
			23	33
			21	31
			26	36
			25	35
			27	37
			24	34

GHG 410 1947R 0051/ Pushbotton

GHG 417 1101R 0051/ Contact



A Phoenix Mecano Company