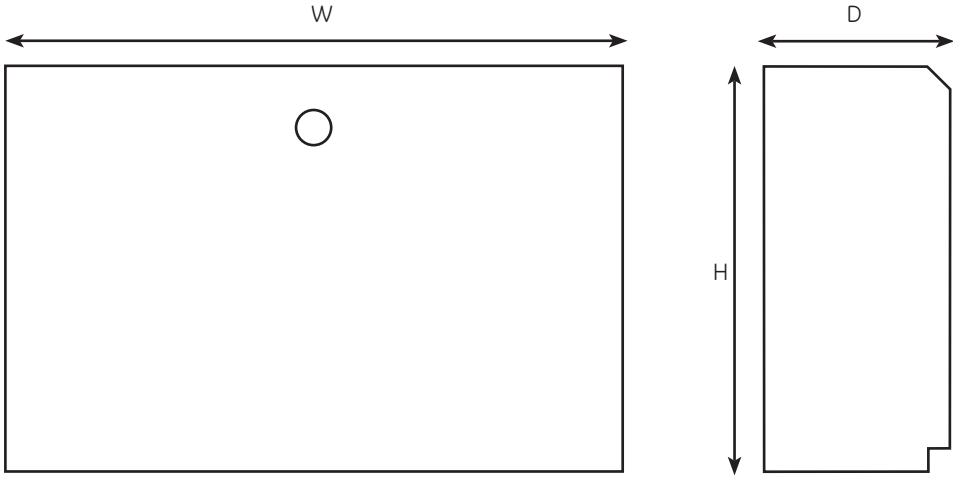


Dimensional drawings

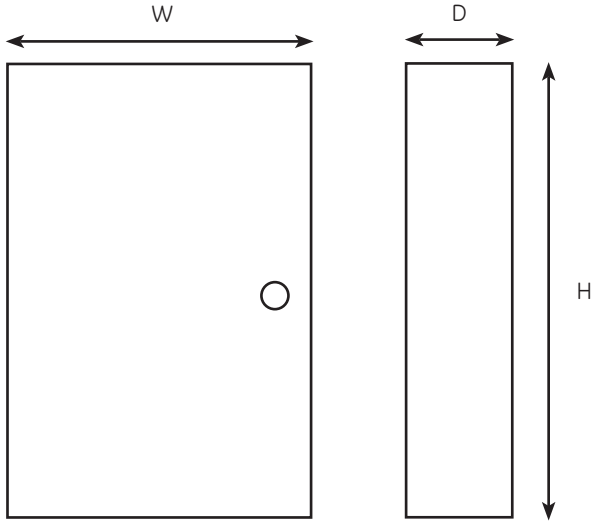
Distribution board - Type A

Dimensions (mm)			
Code	H	W	D
A	270	368	127
B	270	412	127
C	270	484	127



Distribution board - Type B

Dimensions (mm)			
Code	H	W	D
A	534	135	500
B	588	135	500
C	642	135	500
D	750	135	500
E	912	135	500
F	1136	135	500
G	250	135	500
H	500	135	500



Extension Incomers and Enclosures

