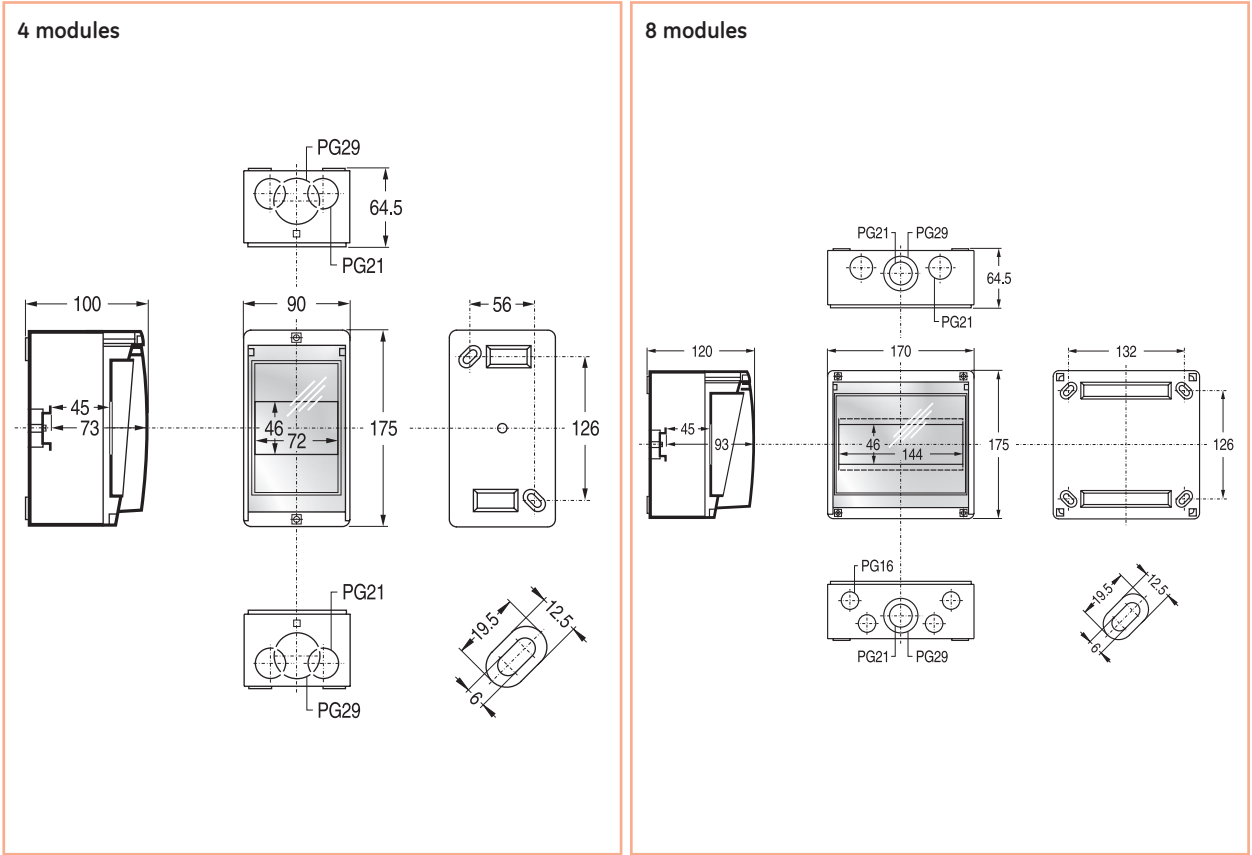
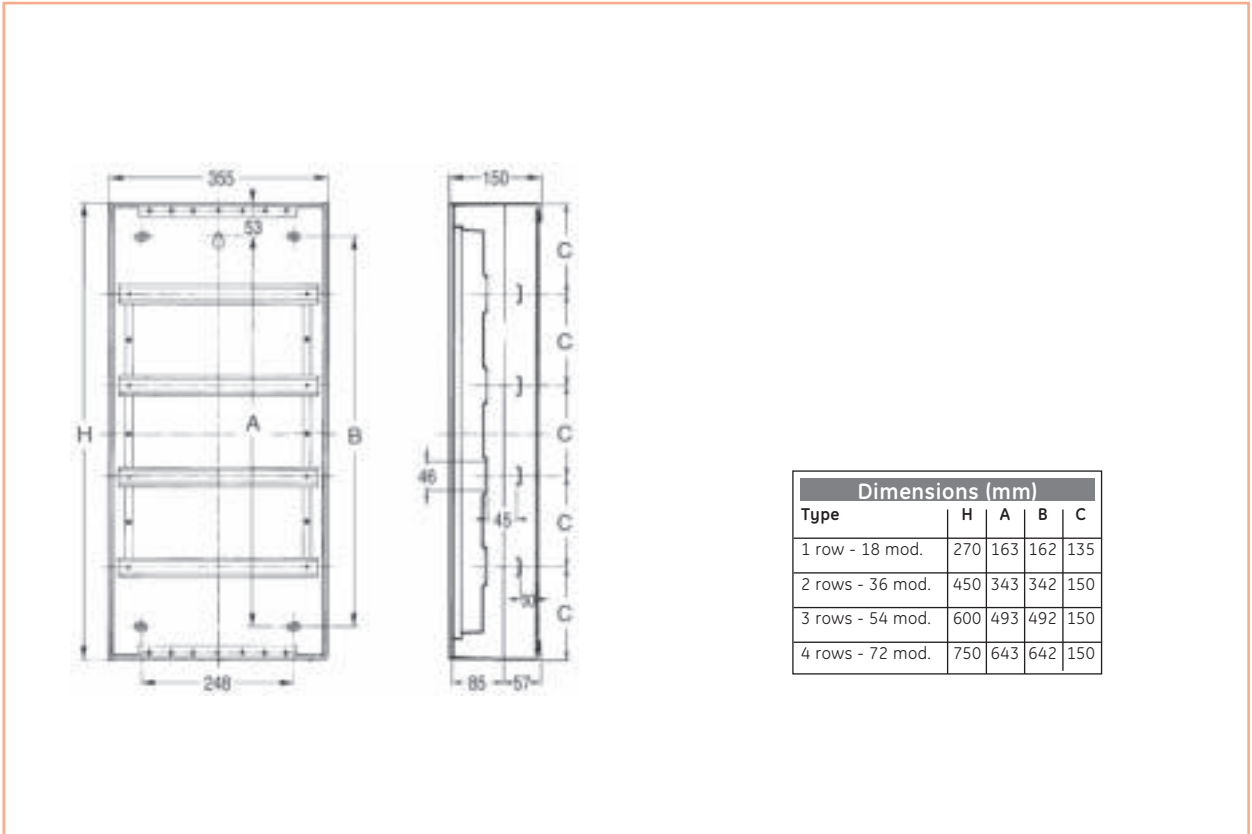


Dimensional drawings

Fix-o-Rail Junior - Surface mounting



Fix-o-Rail 150 - Surface mounting



Distribution boards

A

B

C

D

E

F

G

X

